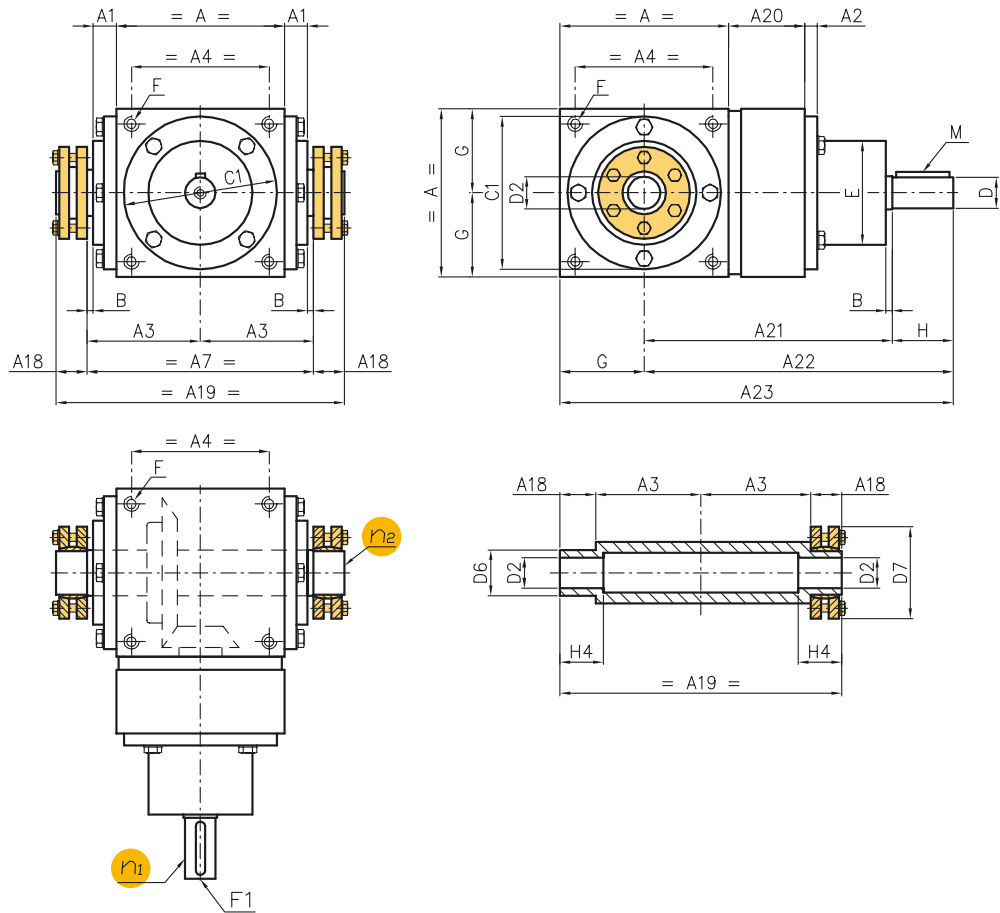


ratio:
1/4,5 - 1/6 - 1/9 - 1/12



High reduction bevel gearbox with shrink disks REA

Size	32	42	55
A	134	166	200
A1	18	21	23
A2	9	11	11
A4	114	144	174
A7	174	212	250
A18	25	30	32
A20	88	98	128
A21	220	250	310
A22	270	315	395
A23	337	398	495
B	2	2	2
C1 Ø f7	122	156	185
D Ø h7	24	32	42
D2 Ø H7	24	32	42
D6 Ø h7	30	44	50
D7	60	80	90
E Ø	80	107	120
F	M10x25	M12x30	M14x35
F1	M8x20	M10x25	M10x25
G	67	83	100
H	50	65	85
H4	35	45	50
M	8x7x45	10x8x60	12x8x80

For the characteristics of shrink-disks, make reference to RA models on page 201 (sizes 134, 166 and 200)

