

# SLIDE BUSH

# SLIDE BUSH

The NB slide bush is a linear motion mechanism utilizing the rotational motion of ball elements. Since linear motion is obtained using a simple mechanism, the slide bush can be used in a wide variety of applications, including transportation equipment, food processing equipment, and semiconductor manufacturing equipment.

## STRUCTURE AND ADVANTAGES

The outer cylinder of slide bush contains a ball retainer that is perfectly designed to control the circulation of ball elements, resulting in smooth linear motion.

### Compact Mechanism

The NB slide bush uses a round shaft for the guiding axis, resulting in space-saving, which allows for compact designs.

### A Wide Variety of Shapes and Installation Methods

The NB slide bush is available in various types, standard, clearance-adjustable, open, flange, etc., for a various applications.

### Selection According to Environment

NB slide bushes are available in standard and anti-corrosion types. Available options include steel-retainer suitable for use in harsh environments and resin retainer for low acoustic, low-cost requirement. Other options can be specified according to the application requirements.

### Compatibility

The NB slide bush is fully compatible with a variety of shaft types.

### Doublelip-Seal

Doublelip-seals reduce the grease leakage, keeping the same function as UU seals which prevent the foreign particles from entering the bush. (see page C-7)

### Low Friction

The raceway surface is precision ground. Since the contact surface between the ball elements and the raceway surface is minimized, the NB slide bush provides low friction compared to other linear motion mechanisms.

### GM Series

The GM slide bush makes efficient use of resin sub-parts making it possible to achieve an overall weight reduction of 30~50% compared with the SM slide bush. The ball return section is made of resin material, which serves for low noise operation. Also, cost-effectiveness expands the use of slide bush in many applications.

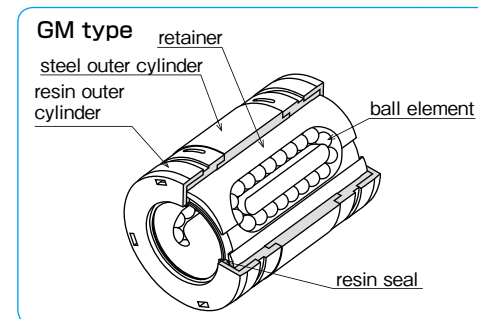
### Block Type Series

Block type series is a unit of NB slide bush and a block type housing. A variety of block types are available such as precision-machined blocks, resin-made blocks, and cost-effective units, each contributes to higher accuracy, light-weight, and low-cost and design-time saving, respectively.

### FIT Series

FIT series is a combination of NB slide bush and precision-machined shaft. The best-fit between slide bush and shaft achieves a smooth, high-accuracy performance meeting the customer requirements. (see page F-24)

Figure C-2 Basic Structure of NB Slide Bush (GM)



## TYPES

Table C-1 Type (1)

type		standard	anti-corrosion	page
standard type		<b>SM</b>	<b>SMS</b>	C- 14
		<b>KB</b>	<b>KBS</b>	C- 68
		<b>SW</b>	<b>SWS</b>	C- 88
clearance-adjustable (AJ) type		<b>SM-AJ</b>	<b>SMS-AJ</b>	C- 16
		<b>KB-AJ</b>	<b>KBS-AJ</b>	C- 70
		<b>SW-AJ</b>	<b>SWS-AJ</b>	C- 90
open (OP) type		<b>SM-OP</b>	<b>SMS-OP</b>	C- 18
		<b>KB-OP</b>	<b>KBS-OP</b>	C- 72
		<b>SW-OP</b>	<b>SWS-OP</b>	C- 92
long type		<b>SM-G-L</b>	—	C- 20
double-wide type		<b>SM-W</b>	<b>SMS-W</b>	C- 22
		<b>KB-W</b>	<b>KBS-W</b>	C- 74
		<b>SW-W</b>	<b>SWS-W</b>	C- 94

Figure C-1 Basic Structure of NB Slide Bush (SM, KB, SW)

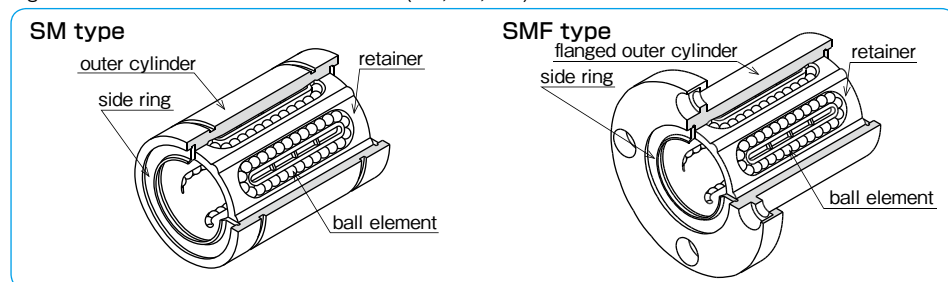


Table C-2 Type (2)

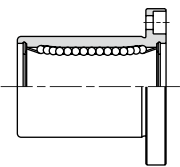


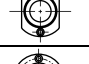
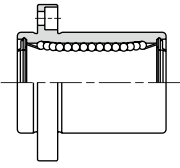

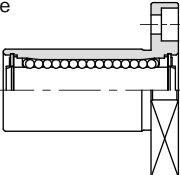
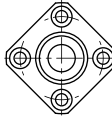
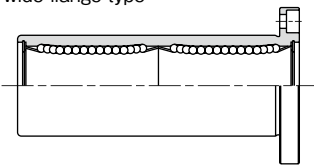

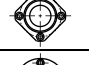

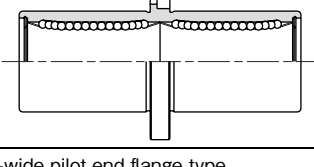
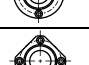
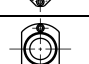
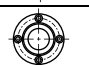
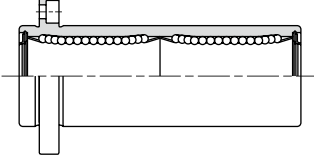

type		standard	anti-corrosion	page
flange type 		<b>SMF</b>	<b>SMSF</b>	C- 24
		<b>KBF</b>	<b>KBSF</b>	C- 76
		<b>SWF</b>	<b>SWSF</b>	C- 96
		<b>SMK</b>	<b>SMSK</b>	C- 26
		<b>KBK</b>	<b>KBSK</b>	C- 78
		<b>SWK</b>	<b>SWSK</b>	C- 98
		<b>SMT</b>	<b>SMST</b>	C- 28
flange type with pilot end 		<b>SMF-E</b>	<b>SMSF-E</b>	C- 30
		<b>SMK-E</b>	<b>SMSK-E</b>	C- 32
		<b>SMT-E</b>	<b>SMST-E</b>	C- 34
long flange type 		<b>SMK-G-L</b>	—	C- 36
double wide flange type 		<b>SMF-W</b>	<b>SMSF-W</b>	C- 38
		<b>KBF-W</b>	<b>KBSF-W</b>	C- 80
		<b>SWF-W</b>	<b>SWSF-W</b>	C-100
		<b>SMK-W</b>	<b>SMSK-W</b>	C- 40
		<b>KBK-W</b>	<b>KBSK-W</b>	C- 82
		<b>SWK-W</b>	<b>SWSK-W</b>	C-102
		<b>SMT-W</b>	<b>SMST-W</b>	C- 42
center mount flange type 		<b>SMFC</b>	<b>SMSFC</b>	C- 44
		<b>KBFC</b>	<b>KBSFC</b>	C- 84
		<b>SMKC</b>	<b>SMSKC</b>	C- 46
		<b>KBKC</b>	<b>KBSKC</b>	C- 86
		<b>SMTC</b>	<b>SMSTC</b>	C- 48
double-wide pilot end flange type 		<b>SMF-W-E</b>	<b>SMSF-W-E</b>	C- 50
		<b>SMK-W-E</b>	<b>SMSK-W-E</b>	C- 52
		<b>SMT-W-E</b>	<b>SMST-W-E</b>	C- 54

Table C-3 Type (3)

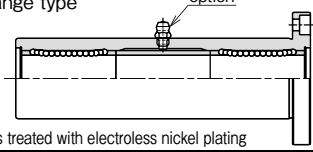

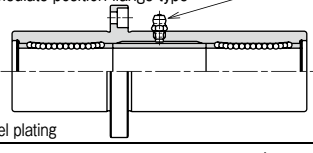

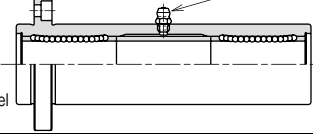

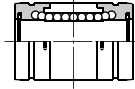
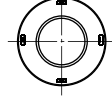
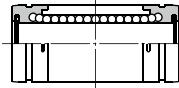
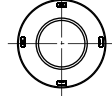
type		standard	anti-corrosion	page
triple wide flange type 		<b>TRF</b>	—	C- 56
		<b>TRK</b>	—	C- 58
※ Outer cylinder is treated with electroless nickel plating				
triple-wide intermediate position flange type 		<b>TRFC</b>	—	C- 60
		<b>TRKC</b>	—	C- 62
※ Outer cylinder is treated with electroless nickel plating				
triple-wide pilot end flange type 		<b>TRF-E</b>	—	C- 64
		<b>TRK-E</b>	—	C- 66
※ Outer cylinder is treated with electroless nickel plating				

Table C-4 Type (4) GM Series

type		standard	page
GM/GW single type 		<b>GM</b>	C- 104
		<b>GW</b>	C-106
GM double-wide type 		<b>GM-W</b>	C-105

**BLOCK SERIES**

**SMA·AK·SMB·SWA Type**

This type is the most commonly used standard type. The housing is made of aluminum alloy. The wide (W) type is also available for SMA and AK types.

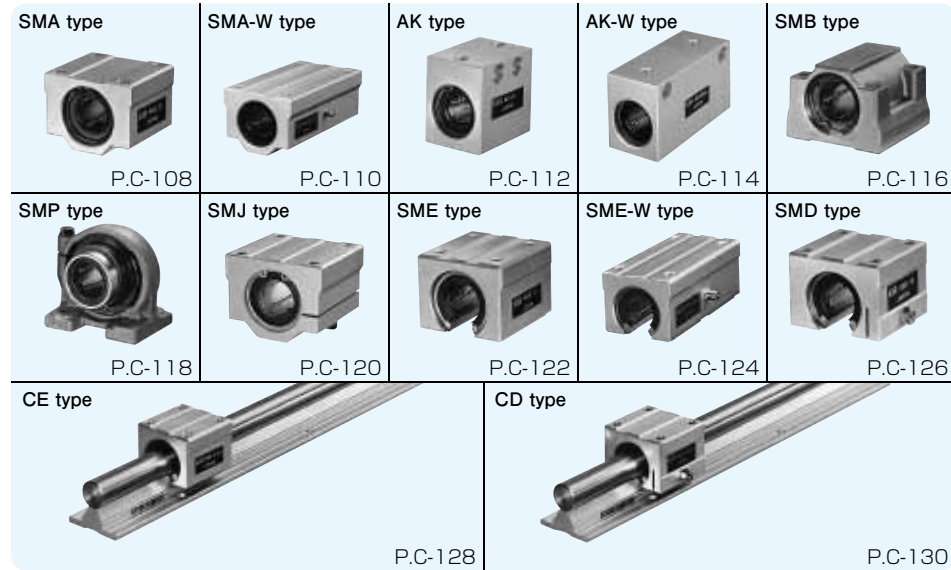
**SMJ · SWJ Type**

Clearance-adjustment is achieved by creating a slit on the SMA/SWA type housing. Less clearance between block and shaft results in higher positioning accuracy by tightening the adjustment screw.

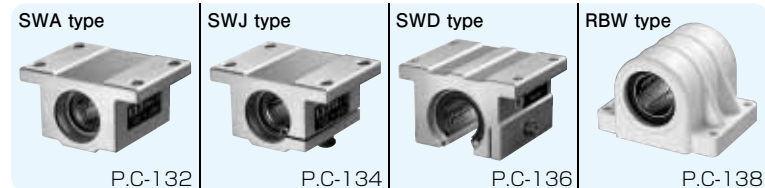
**RBW Type**

The housing is made of ABS resin for light-weight and low-cost. Inside is an inch sized bush of a resin retainer type with seals.

**Metric Series**



**Inch Series**



**SMP Type**

The housing has a self-aligning feature. This feature will absorb inaccuracy of the installation base so that a smooth movement is expected.

**SME·SMD·SWD Type**

Open type housing allows a support from below so that a deflection of the shaft is minimized for high loading or long-stroke applications. The wide(W) type is also available for SME type.

**CE·CD Type**

This type is a unit of block(s), shaft, and support rail that contributes to a total cost reduction. The maximum length is 2,000mm for the support rail and for the shaft the maximum length is 4,500mm.

**SPECIFICATIONS**

**Series**

The NB slide bush is available in three primary dimensional series, each with different dimensions and tolerances depending on the location of use. Please select the series that is most appropriate for your location.

**Allowable Load**

NB slide bushes are categorized into three functional types depending on the number and location of retainers: single, double, and triple. Table C-6 shows load ratings and static moment in comparison. The single type uses only one retainer, so when a moment load is to be applied, the double or triple type is recommended.

**Material**

The outer cylinder of standard type is made of bearing steel and the outer cylinder of anti-corrosion type is made of Martensitic stainless steel. The retainer is available in steel (stainless steel for anti-corrosion), and resin for low acoustic operation. The steel retainer is made of one plate (seamless type).

**Seal**

The seals prevent dust from entering the slide bush in order to retain the motion accuracy, resulting in a long life time. The UU type is a standard option that has seals on both sides. The U type has a seal on one side only and is available for the standard, clearance adjustable, and open types. Nitril rubber, which has low wear and good sealing characteristics, is used as the seal material. \* Resin seals are used for GM and GW series.

For a high temperature application, fluororubber seals are available on the SM series size 6 to 30. Please contact NB for details.

**Doublelip-Seal**

A doublelip-seal is a combination of outside lip-seal and inside lip-seal. Outside lip-seal prevents foreign particles from entering the bush and inside lip-seal prevents grease from leaking out of the bush. By the doublelip-seal, the seal resistance shall be increased by some margin. Applicable Part Number: SM(S) 6 to 30, TRF 6 to 30.

Please refer to the dimension table for seal option.

Table C-5 Series and Use Location

series	location			
	Japan	Asia	Europe	North America
metric	SM	◎	◎	○
	GM	○	○	○
	KB	○	◎	○
inch	SW	○	○	◎

◎ generally used ○ rarely used

Table C-6 Load Comparison

type	basic dynamic load rating	basic static load rating	allowable static moment
single	1	1	1
long	1.3	1.8	approx. 4
GM-W	1.6	2	approx. 4
SM double	1.6	2	approx. 6
triple	1.6	2	approx.21

※ The single type is designated as "1" for comparison purposes.

Table C-7 Operating Environment Temperature

outer cylinder	material	
	retainer	temperature range
steel	steel	-20°C~110°C
	resin	-20°C~ 80°C
stainless	steel	-20°C~140°C*
	resin	-20°C~ 80°C

\* If a seal is used in the stainless steel slide bush, the temperature is up to 120°C. Please contact NB if a temperature range exceeds 140°C.

Figure C-3 Seal Profile

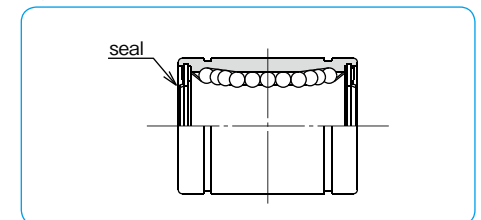
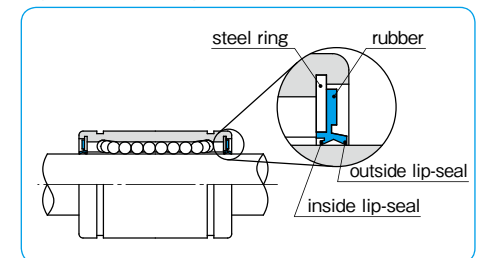


Figure C-4 Doublelip-Seal



### LIFE CALCULATION

Since ball elements are used as the rolling element in the NB slide bush, the following equation is used to calculate the travel life.

$$L = \left( \frac{f_H \cdot f_T \cdot f_C}{f_W} \cdot \frac{C}{P} \right)^3 \cdot 50$$

L: rated life (km) f<sub>H</sub>: hardness coefficient  
 f<sub>T</sub>: temperature coefficient f<sub>C</sub>: contact coefficient  
 f<sub>W</sub>: applied load coefficient C: basic dynamic load rating (N)  
 P: applied load (N)  
 \*Refer to page Eng-5 for the coefficients.

If the stroke distance and number of strokes per unit time are constant, the life time is calculated using the following equation.

$$L_h = \frac{L \cdot 10^3}{2 \cdot l_s \cdot n \cdot 60}$$

L<sub>h</sub>: life time (hr) l<sub>s</sub>: stroke length (m)  
 L: rated life (km) n: number of cycles per minute (cpm)

### LOAD RATING FOR OPEN TYPE SLIDE BUSH

For the open type slide bush an opening is provided to allow the shaft to be supported from underneath. In case a load is constantly applied in the direction of the opening (for example, being used with a vertical shaft or an overhang loading is applied), the load rating decreases due to less number of loaded rows of ball elements (Table C-8). Therefore, the load rating must be calibrated at the time of design based on the direction of the loading.

Table C-8 Direction of Load and Basic Static Load Rating

part number	SM10G~16G-OP KB10G~16G-OP SW 8G~10G-OP SME (D) 10G~16G CE (D) 16	SM20 (G) -OP KB20 (G) -OP SW12 (G) -OP SME (D) 20 CE (D) 20	SM25 (G) ~100-OP KB25 (G) ~80-OP SW16 (G) ~64-OP SME25~50 SMD25~30 CE (D) 25~30	SM120,150-OP
loading from above				
	C	C	C	C
loading from below				
	0.64C	0.54C	0.57C	0.35C

※ Excluding all the 3-row steel retainer types. Please contact NB in case of 3-row steel retainer.

### MOUNTING

Examples of Mounting methods are shown in Figures C-5 ~8.

Figure C-5 Standard Type

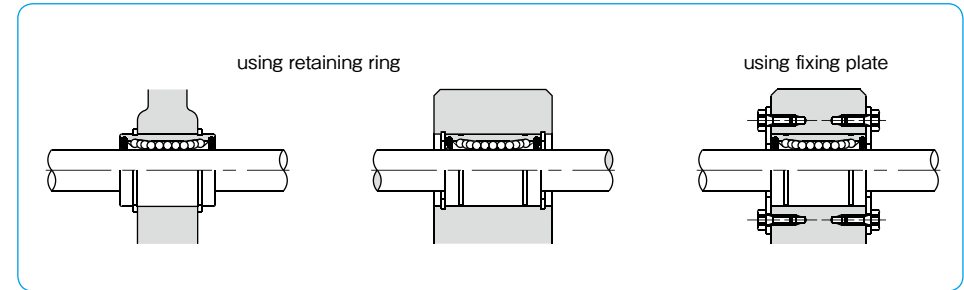


Figure C-6 Clearance Adjustable Type

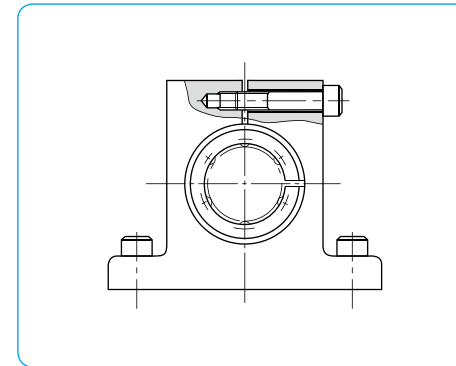


Figure C-7 Open Type

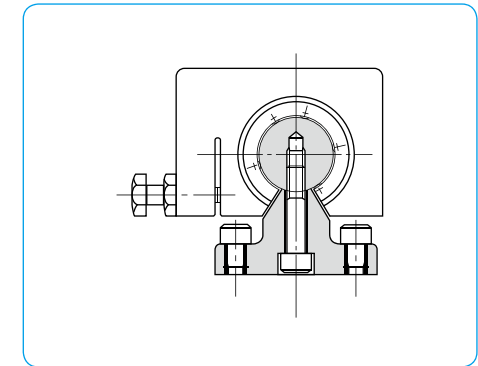
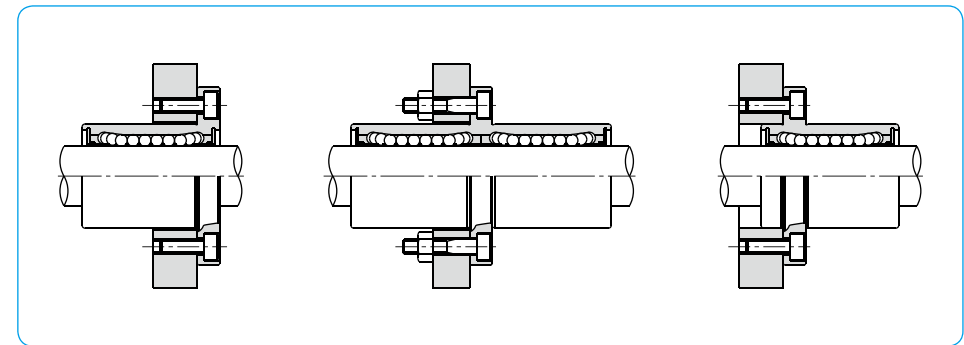


Figure C-8 Flange Type



**Fit**

The normal clearance fit listed in Table C-9 is generally selected as a shaft outer diameter tolerance for the NB slide bush. The transition fit is selected for a higher accuracy by reducing clearance between slide bush and shaft. Matching bush and shaft (FIT series) is also available for customer's specified clearance. Please be cautious not to apply excess preloading with clearance adjustable and open types. Please keep preloading within the maximum radial clearance listed in the dimension table. The flange-type bush is generally inserted into an installation bore, which is slightly larger than the outer cylinder. However, if the outer cylinder is used as the pilot, H7 tolerance is recommended for housing.

The recommended clearances for the flange type are listed in Table C-10.

Table C-9 Recommended Fit

series	accuracy grade	shaft		housing	
		clearance fit	transition fit	clearance fit	transition fit
SM	high	g6	h6	H7	J7
	precision(P)	g5	h5	H6	J6
SM-G-L	high	g6	—	H7	—
SM-W	high	g6	—	H7	—
KB	high	h6	j6	H7	J7
KB-W	high	h6	—	H7	—
SW	high	g6	h6	H7	J7
	precision(P)	g5	h5	H6	J6
SW-W	high	g6	—	H7	—
GM	high	g6	h6	H7	—
GM-W	high	g6	—	H7	—

Table C-10 Recommended Fit (Flange Type)

series	shaft	
	clearance fit	transition fit
SMF	g6	h6
SMK-G-L	g6	—
SMF-W	g6	—
TRF	g6	—
KBF	h6	j6
KBF-W	h6	—
SWF	g6	h6
SWF-W	g6	—

**Notes on Shaft Selection:**

In order to ensure a high accuracy motion of the bush, it is essential to select a high quality shaft. In selecting a shaft, please take note of:  
 Hardness: 58HRC or more (refer to hardness coefficient on page Eng-5) recommended  
 Surface Roughness: less than Ra0.4 recommended

**Notes on Installation**

When inserting a slide bush into a housing, carefully insert it by using a jig to apply a uniform pushing force at the end of the outer cylinder, as illustrated in Figure C-9. Motion performance may be diminished if an excessive force is applied to the resin portion of the outer cylinder, the side-ring, or the seal. Ensure that all burrs are removed from the shaft and carefully install the bush by aligning it with the center of the bore. Excessive force may drop out the ball elements during insertion.

When two or more shafts are used, the parallelism of the shafts will greatly affect the motion characteristics and life of the slide bush. Please check the parallelism by moving the slide bush back and forth the length of stroke to check for freedom of movement before final fixing of the shaft. Please refer to page F-3 for shaft specifications.

**GM Standard Type**

Please avoid a tension load when retaining rings are used for installation.

Figure C-9 Insertion of Slide Bush

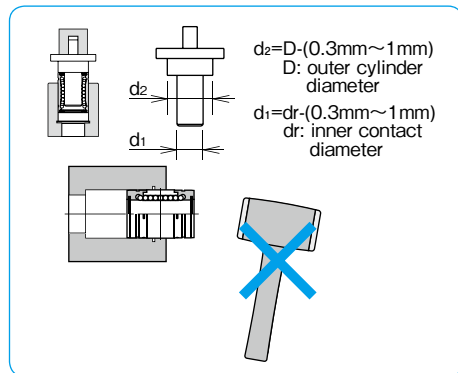
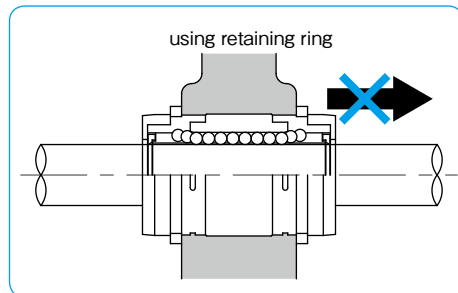


Figure C-10 Installation of GM Standard Type



**LUBRICATION**

It is important to lubricate the slide bush for an accurate operation and for a long life. Anti-rust oil is applied to NB slide bush prior to shipment. The NB selected anti-rust oil has a little effect on the lubricant, however, please apply lubricant after cleaning the slide bush by, for example, kerosene, etc.

**Grease Lubricant**

Prior to usage, please apply grease, then re-lubricate periodically according to the operating conditions. (Lithium soap-based grease is recommended.) Re-lubrication can be done by directly applying grease inside the ball bush or by using a grease fitting as Figure C-11 shows.

A special low dust generating grease is optional for clean room application, please refer to page Eng-39.

**Oil Lubricant**

Prior to usage, please apply oil directly to the shaft surface or by using an oil hole as Figure C-12 shows. Turbine oil (ISO standard VG32-68) is recommended.

Oil holes can be machined (see Figure C-12) in the center portion of the outer cylinder. Please contact NB for oil hole specification.

Figure C-11 Grease Fitting

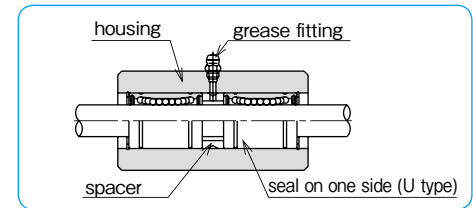
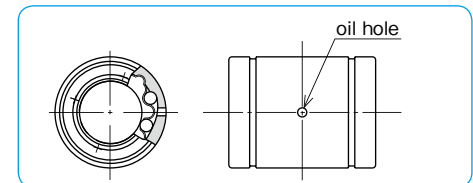


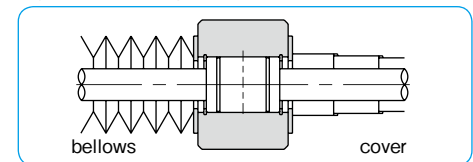
Figure C-12 Oil Hole -Specification-



**DUST PREVENTION**

A smooth ball circulation is hindered by dust or foreign particles inside the slide bush. Seals on both sides is a standard option for the NB slide bush, however, in a harsh environment it is necessary to attach bellows or protective covers.

Figure C-13 Example of Dust Prevention

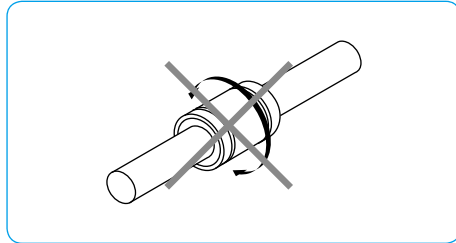


NOTES ON HANDLING

The NB slide bush is a precision component, please handle with care to maintain its high motion accuracy.

The slide bush is designed for linear motion, so that for applications in which a combination of linear and rotational motion is a requirement, let us recommend Stroke Bush, Slide Rotary Bush, or Rotary Ball Spline.

Figure C-14 Direction of Motion



OTHER SPECIFICATIONS

● Flange Type Slide Bush with Surface-Treatment  
The following surface treatments are available as standard option:

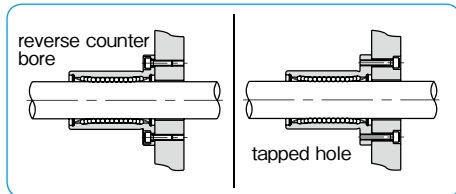
SK	electroless nickel plating
LF	low temperature black chrome treatment with fluoride coating
SB	black oxide (excluding anti-corrosion type)
SC	industrial chrome plating

\* Please contact NB for the thickness of coating and the resulting outer diameter tolerance.

● Special Specifications

Please contact NB for more information on surface treatment, oil hole (Figure C-12), flange mounting hole (Figure C-15), etc.

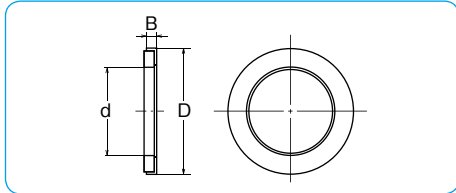
Figure C-15 Examples of Special Installation Hole



FELT SEAL

A felt seal FLM strengthens lubrication characteristics and extends re-lubrication period of the NB slide bush.

Figure C-16 Felt Seal

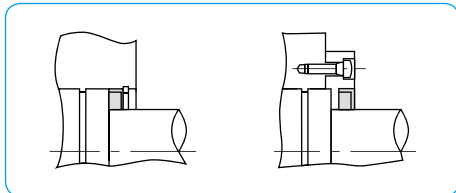


part number	major dimensions(mm)			applicable slide bush
	d	D	B	
FLM 6	6	12	2	SM 6 / GM 6
FLM 8	8	15	2	SM 8 / GM 8
FLM 10	10	19	3	SM 10 / GM10
FLM 12	12	21	3	SM 12 / GM12
FLM 13	13	23	3	SM 13 / GM13
FLM 16	16	28	4	SM 16 / GM16
FLM 20	20	32	4	SM 20 / GM20
FLM 25	25	40	5	SM 25 / GM25
FLM 30	30	45	5	SM 30 / GM30
FLM 35	35	52	5	SM 35
FLM 40	40	60	5	SM 40
FLM 50	50	80	10	SM 50
FLM 60	60	90	10	SM 60
FLM 80	80	120	10	SM 80
FLM100	100	150	10	SM100

Felt Seal Installation

The felt seal does not work as a retaining ring. Figure C-17 shows how to install the felt seal.

Figure C-17 Example of Felt Seal Installation



ACCURACY

The accuracy of CE/CD-type support rails are measured as shown in Figure C-18.

Figure C-18 Accuracy Measurement

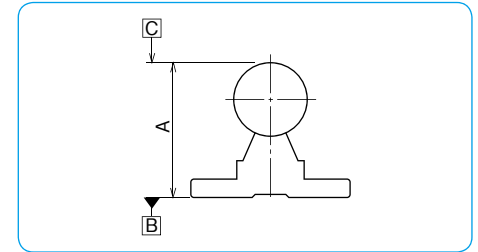
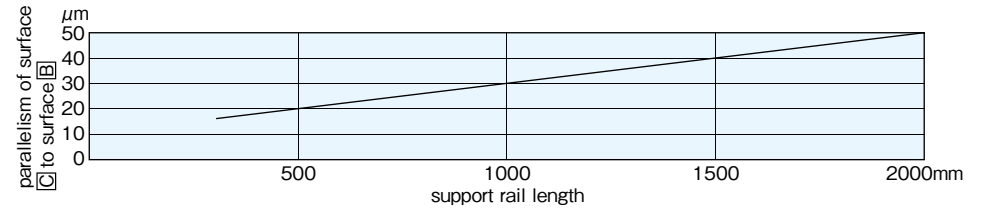


Figure C-19 Accuracy of CE/CD-type Support Rails

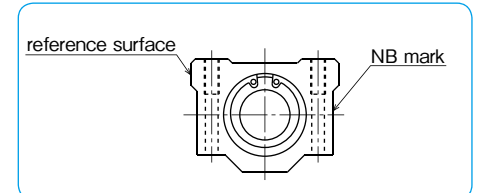


NOTES ON USAGE OF BLOCK SERIES

Reference Surface

The NB slide units have a reference surface as shown in Figure C-20. Accuracy is achieved by simply pushing the reference surface against the shoulder of the installation surface. (Excluding RBW and SMP types)

Figure C-20 Reference Surface



Clearance Adjustment

On the clearance adjustment type please avoid excessive preloading. In the same manner please do not apply excessive torque when tightening the screws.

Table C-11 Recommended Torque for RBW Type

part number	mounting screw	torque N · m
RBW8	#6	1.3
RBW10,12	#8	1.9
RBW16	#10	5.2

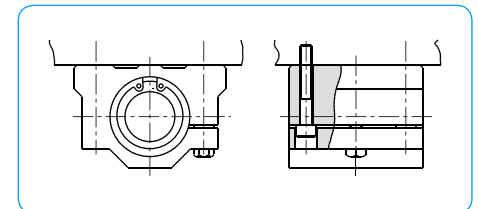
Mounting of RBW Type

RBW type has a resin housing. Table C-11 shows proper torque values.

Figure C-21 Special Installation of SMJ Type

Recommended Fit

For clearance fit please use a shaft with g6 tolerance and for transition fit a shaft with h6 tolerance. (Excluding adjustable-clearance and open types)



Special Installation Case of SMJ Type

Special mounting holes will be required for installations such as Figure C-21 shows. Please contact NB for special requirements.

# SM TYPE

– Standard Type –



## part number structure

example **SMS 25 G UU - P**

specification  
**SM:** standard  
**SMS:** anti-corrosion

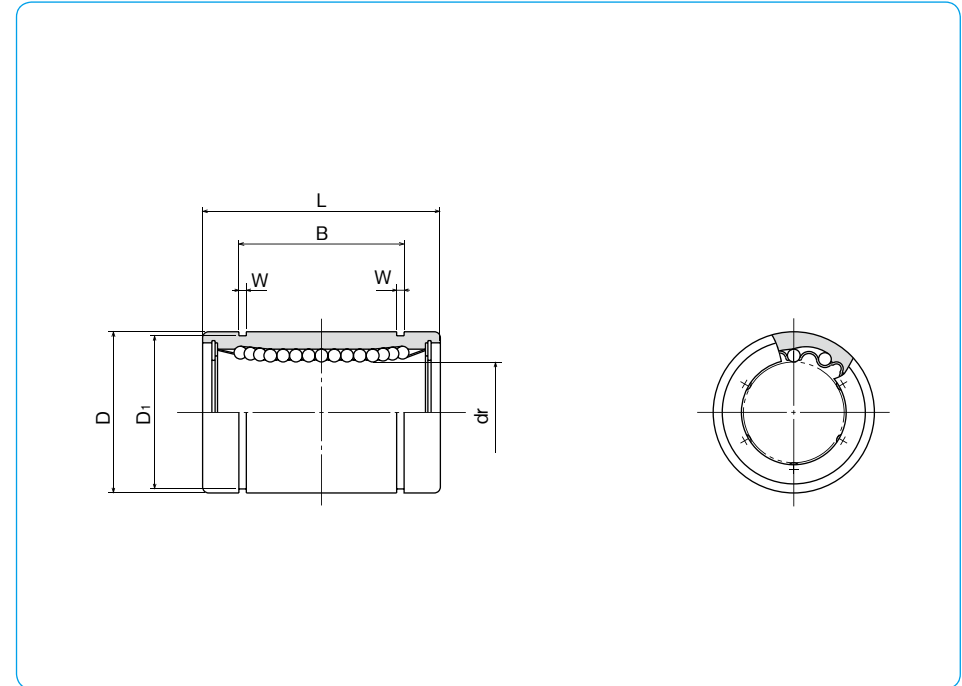
inner contact diameter (dr)

retainer material  
**blank:** standard/steel  
**G:** anti-corrosion/stainless steel  
**resin**

accuracy grade  
**blank:** high  
**P:** precision

seal  
**blank:** without seal  
**U:** seal on one side  
**UU:** seals on both sides  
**Z:** doublelip-seal on one side  
**ZZ:** doublelip-seals on both sides

Doublelip-seal is available for size 6 to 30.



part number				number of ball circuits	major dimensions				
standard		anti-corrosion			mm	dr tolerance $\mu\text{m}$		D tolerance $\mu\text{m}$	
steel retainer	resin retainer	stainless retainer	resin retainer			precision	high	mm	mm
SM 3	SM 3G	SMS 3	SMS 3G	4	3			7	0
SM 4	SM 4G	SMS 4	SMS 4G	4	4	0	0	8	0
SM 5	SM 5G	SMS 5	SMS 5G	4	5	-5	-8	10	-9
SM 6	SM 6G	SMS 6	SMS 6G	4	6			12	0
SM 8s	SM 8sG	SMS 8s	SMS 8sG	4	8			15	-11
SM 8	SM 8G	SMS 8	SMS 8G	4	8			15	
SM 10	SM10G	SMS10	SMS10G	4	10	0	0	19	0
SM 12	SM12G	SMS12	SMS12G	4	12	-6	-9	21	0
SM 13	SM13G	SMS13	SMS13G	4	13			23	-13
SM 16	SM16G	SMS16	SMS16G	4	16			28	
SM 20	SM20G	SMS20	SMS20G	5	20			32	0
SM 25	SM25G	SMS25	SMS25G	6	25	-7	-10	40	-16
SM 30	SM30G	SMS30	SMS30G	6	30			45	
SM 35	SM35G	SMS35	SMS35G	6	35			52	0
SM 40	SM40G	SMS40	SMS40G	6	40	0	0	60	0
SM 50	SM50G	SMS50	SMS50G	6	50	-8	-12	80	-19
SM 60	SM60G	SMS60	SMS60G	6	60	0	0	90	0
SM 80	SM80G	SMS80	SMS80G	6	80	-9	-15	120	-22
SM100	-	-	-	6	100	0	0	150	0
SM120	-	-	-	8	120	-10	-20	180	-25
SM150	-	-	-	8	150	0/-13	0/-25	210	0/-29

mm	L tolerance mm	B tolerance mm		W mm	D <sub>1</sub> mm	eccentricity		radial clearance (maximum) $\mu\text{m}$	basic load rating		mass g	shaft diameter mm
		mm	mm			precision $\mu\text{m}$	high $\mu\text{m}$		C N	Co N		
10		-	-	-	-				69	105	1.4	3
12	0	-	-	-	-	4	8		88	127	2.0	4
15	-0.12	10.2		1.1	9.6			-3	167	206	4.0	5
19		13.5		1.1	11.5				206	265	8.5	6
17		11.5		1.1	14.3				176	216	11	8
24		17.5		1.1	14.3				274	392	17	8
29	0	22	0	1.3	18	8	12		372	549	36	10
30	-0.2	23	-0.2	1.3	20			-4	510	784	42	12
32		23		1.3	22				510	784	49	13
37		26.5		1.6	27				774	1,180	76	16
42		30.5		1.6	30.5			-6	882	1,370	100	20
59		41		1.85	38	10	15		980	1,570	240	25
64		44.5		1.85	43				1,570	2,740	270	30
70	0	49.5	0	2.1	49			-8	1,670	3,140	425	35
80	-0.3	60.5	-0.3	2.1	57	12	20	-10	2,160	4,020	654	40
100		74		2.6	76.5				3,820	7,940	1,700	50
110		85		3.15	86.5			-13	4,700	10,000	2,000	60
140		105.5		4.15	116	17	25		7,350	16,000	4,520	80
175	0	125.5	0	4.15	145			-20	14,100	34,800	8,600	100
200	-0.4	158.6	-0.4	4.15	175	20	30		16,400	40,000	15,000	120
240		170.6		5.15	204	25	40	-25	21,100	54,300	20,250	150

1N=0.102kgf



# SM-AJ TYPE

– Clearance Adjustable Type –



## part number structure

example **SMS 25 G UU -AJ**

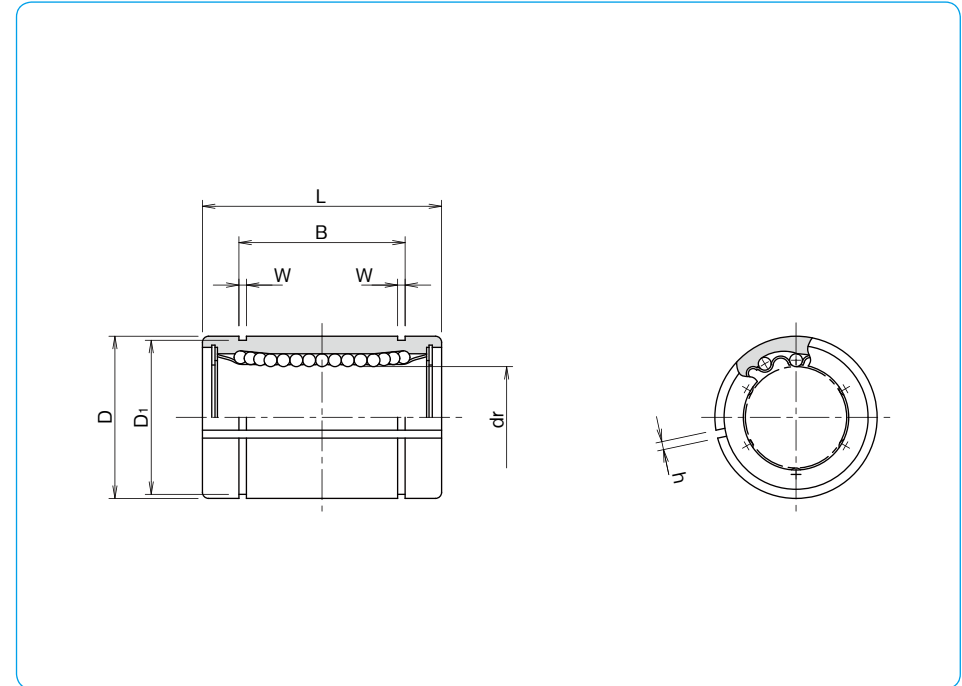
specification  
**SM:** standard  
**SMS:** anti-corrosion

inner contact diameter (dr)

retainer material  
**blank:** standard/steel  
**G:** anti-corrosion/stainless steel  
**U:** resin

clearance-adjustable

seal  
**blank:** without seal  
**U:** seal on one side  
**UU:** seals on both sides



part number		number of ball circuits	dr	major dimensions			
standard	anti-corrosion			D	D		
steel retainer	resin retainer	stainless retainer	resin retainer	mm	tolerance* μm	mm	tolerance* μm
—	SM 6G-AJ	—	SMS 6G-AJ	4	6	12	0
—	SM 8sG-AJ	—	SMS 8sG-AJ	4	8	15	-11
—	SM 8G-AJ	—	SMS 8G-AJ	4	8	15	0
—	SM10G-AJ	—	SMS10G-AJ	4	10	19	-9
SM 12-AJ	SM12G-AJ	SMS 12-AJ	SMS12G-AJ	4	12	21	0
SM 13-AJ	SM13G-AJ	SMS 13-AJ	SMS13G-AJ	4	13	23	-13
SM 16-AJ	SM16G-AJ	SMS 16-AJ	SMS16G-AJ	4	16	28	0
SM 20-AJ	SM20G-AJ	SMS20-AJ	SMS20G-AJ	5	20	32	0
SM 25-AJ	SM25G-AJ	SMS25-AJ	SMS25G-AJ	6	25	40	-16
SM 30-AJ	SM30G-AJ	SMS30-AJ	SMS30G-AJ	6	30	45	0
SM 35-AJ	SM35G-AJ	SMS35-AJ	SMS35G-AJ	6	35	52	0
SM 40-AJ	SM40G-AJ	SMS40-AJ	SMS40G-AJ	6	40	60	-19
SM 50-AJ	SM50G-AJ	SMS50-AJ	SMS50G-AJ	6	50	80	0
SM 60-AJ	SM60G-AJ	SMS60-AJ	SMS60G-AJ	6	60	90	0
SM 80-AJ	SM80G-AJ	—	—	6	80	120	-22
SM100-AJ	—	—	—	6	100	150	0
SM120-AJ	—	—	—	8	120	180	-25
SM150-AJ	—	—	—	8	150	210	0/-29

\* Accuracy is measured prior to machining clearance slit.

mm	L tolerance mm	B tolerance mm	W mm	D <sub>1</sub> mm	h mm	eccentricity* μm	basic load rating		mass g	shaft diameter mm	
							dynamic C N	static Co N			
19	0 -0.2	13.5	0 -0.2	1.1	11.5	1	12	206	265	7.5	6
17		11.5		1.1	14.3	1		176	216	10	8
24		17.5		1.1	14.3	1		274	392	14.7	8
29		22		1.3	18	1		372	549	29	10
30		23		1.3	20	1.5		510	784	41	12
32		23		1.3	22	1.5		510	784	48	13
37	0 -0.3	26.5	0 -0.3	1.6	27	1.5	15	774	1,180	75	16
42		30.5		1.6	30.5	1.5		882	1,370	98	20
59		41		1.85	38	2		980	1,570	237	25
64		44.5		1.85	43	2.5		1,570	2,740	262	30
70		49.5		2.1	49	2.5		1,670	3,140	420	35
80		60.5		2.1	57	3		2,160	4,020	640	40
100	0 -0.4	74	0 -0.4	2.6	76.5	3	20	3,820	7,940	1,680	50
110		85		3.15	86.5	3		4,700	10,000	1,980	60
140		105.5		4.15	116	3		7,350	16,000	4,400	80
175		125.5		4.15	145	3		14,100	34,800	8,540	100
200		158.6		4.15	175	3		16,400	40,000	14,900	120
240		170.6		5.15	204	3		21,100	54,300	20,150	150

1N≅0.102kgf

# SM-OP TYPE

– Open Type –



## part number structure

example **SMS 25 G UU-OP**

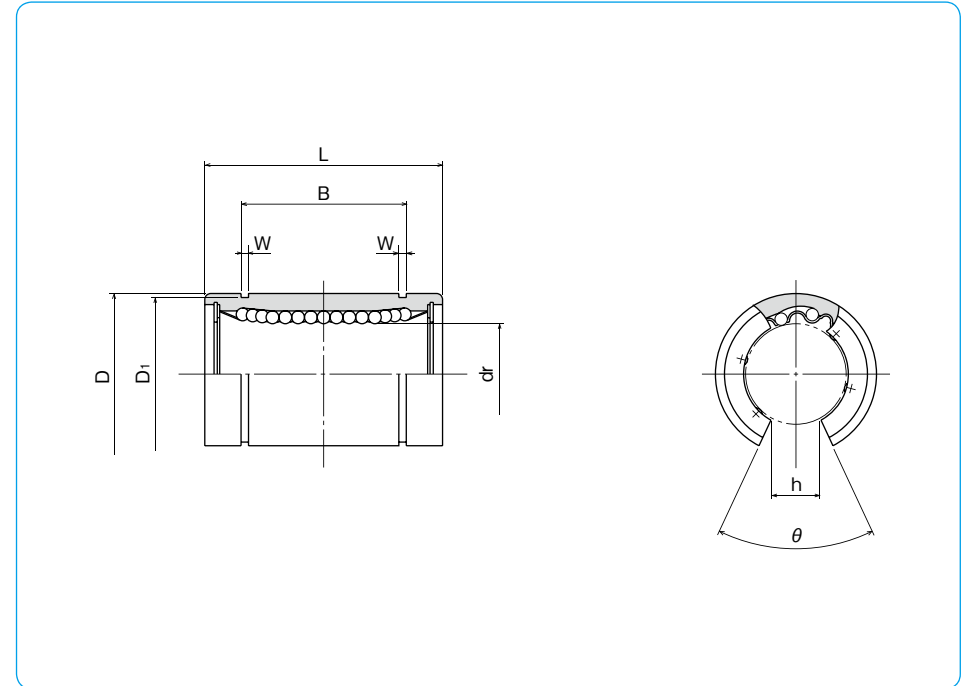
specification  
**SM:** standard  
**SMS:** anti-corrosion

inner contact diameter (dr)

retainer material  
**blank:** standard/steel  
 anti-corrosion/stainless steel  
**G:** resin

open type

seal  
**blank:** without seal  
**U:** seal on one side  
**UU:** seals on both sides



part number				number of ball circuits	dr		major dimensions	
standard steel retainer	resin retainer	anti-corrosion stainless retainer	resin retainer		mm	tolerance* $\mu\text{m}$	mm	D tolerance* $\mu\text{m}$
–	SM10G-OP	–	SMS10G-OP	3	10		19	
SM 12-OP	SM12G-OP	SMS12-OP	SMS12G-OP	3	12	0	21	0
SM 13-OP	SM13G-OP	SMS13-OP	SMS13G-OP	3	13	– 9	23	– 13
SM 16-OP	SM16G-OP	SMS16-OP	SMS16G-OP	3	16		28	
SM 20-OP	SM20G-OP	SMS20-OP	SMS20G-OP	4	20	0	32	0
SM 25-OP	SM25G-OP	SMS25-OP	SMS25G-OP	5	25	– 10	40	– 16
SM 30-OP	SM30G-OP	SMS30-OP	SMS30G-OP	5	30		45	
SM 35-OP	SM35G-OP	SMS35-OP	SMS35G-OP	5	35	0	52	0
SM 40-OP	SM40G-OP	SMS40-OP	SMS40G-OP	5	40	– 12	60	– 19
SM 50-OP	SM50G-OP	SMS50-OP	SMS50G-OP	5	50	0	80	0
SM 60-OP	SM60G-OP	SMS60-OP	SMS60G-OP	5	60	– 15	90	– 22
SM 80-OP	SM80G-OP	–	–	5	80	0	120	0
SM100-OP	–	–	–	5	100	– 20	150	– 25
SM120-OP	–	–	–	6	120		180	
SM150-OP	–	–	–	6	150	0/– 25	210	0/– 29

\* Accuracy is measured prior to machining open slit.

mm	L tolerance mm	B tolerance mm		W mm	D1 mm	h mm	$\theta$	eccentricity* $\mu\text{m}$	basic load rating		mass g	shaft diameter mm
		mm	mm						C N	Co N		
29	0 – 0.2	22	0 – 0.2	1.3	18	6.8	80°	12	372	549	23	10
30		23		1.3	20	8	80°		510	784	32	12
32		23		1.3	22	9	80°		510	784	37	13
37		26.5		1.6	27	11	80°		774	1,180	58	16
42		30.5		1.6	30.5	11	60°		882	1,370	79	20
59	0 – 0.3	41	0 – 0.3	1.85	38	12	50°	15	980	1,570	203	25
64		44.5		1.85	43	15	50°		1,570	2,740	228	30
70		49.5		2.1	49	17	50°		1,670	3,140	355	35
80		60.5		2.1	57	20	50°		2,160	4,020	546	40
100		74		2.6	76.5	25	50°		3,820	7,940	1,420	50
110	0 – 0.4	85	0 – 0.4	3.15	86.5	30	50°	25	4,700	10,000	1,650	60
140		105.5		4.15	116	40	50°		7,350	16,000	3,750	80
175		125.5		4.15	145	50	50°		14,100	34,800	7,200	100
200		158.6		4.15	175	85	80°		16,400	40,000	11,600	120
240		170.6		5.15	204	105	80°		21,100	54,300	15,700	150

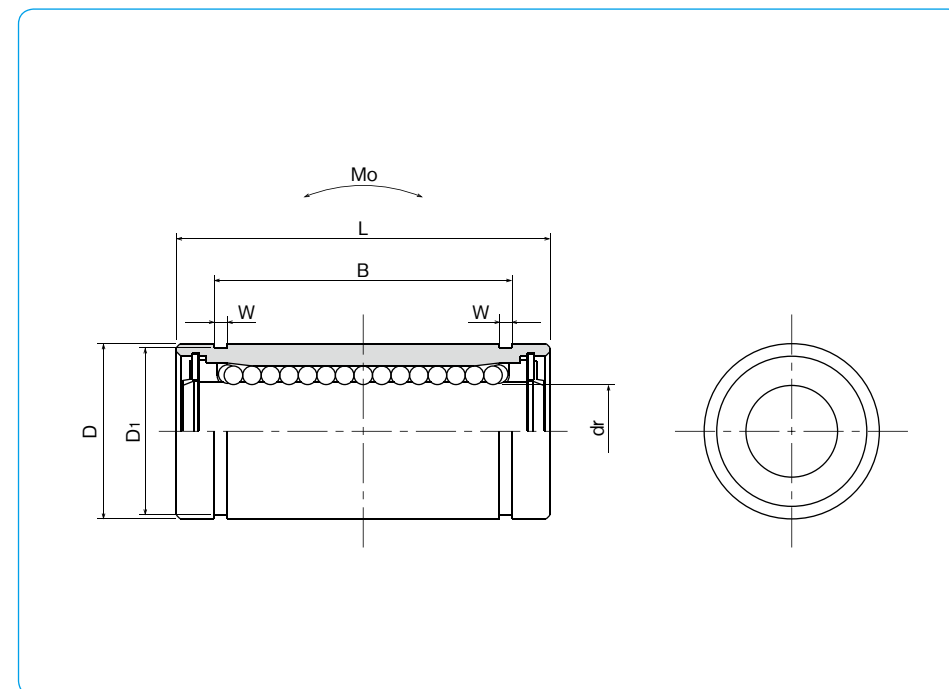
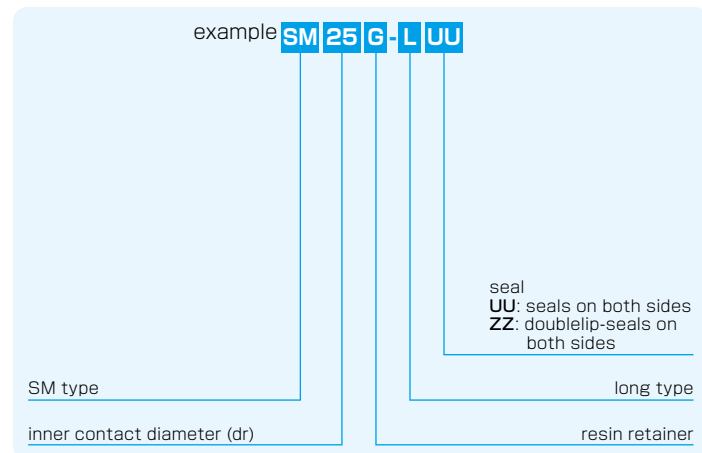
1N $\approx$ 0.102kgf

# SM-G-L TYPE

– Long Type –



## part number structure



part number*	number of ball circuits	major dimensions							
		dr		D		L		B	
		mm	tolerance $\mu\text{m}$	mm	tolerance $\mu\text{m}$	mm	tolerance mm	mm	tolerance mm
SM 6G-LUU	4	6	0	12	0	26	0	20.5	-0.2
SM 8G-LUU	4	8		15	-13	32		25.5	
SM10G-LUU	4	10		19	0	39		32	
SM12G-LUU	4	12		21	0	41		34	
SM13G-LUU	4	13		23	-16	45		36	
SM16G-LUU	4	16		28	0	53		42	
SM20G-LUU	5	20	-12	32	0	59	-0.3	47.5	0
SM25G-LUU	6	25		40	-19	83		69	
SM30G-LUU	6	30		45	0	90		75	

\* Seals-on-both-sides is standard.

W	D <sub>1</sub>	eccentricity	basic load rating		allowable static moment	mass	shaft diameter
			dynamic C	static Co			
mm	mm	$\mu\text{m}$	N	N	N · m	g	mm
1.1	11.5	15	262	476	1.15	10	6
1.1	14.3		352	615	1.94	19	8
1.3	18		493	1,005	3.98	38	10
1.3	20		637	1,430	6.26	43	12
1.3	22		682	1,560	7.68	62	13
1.6	27		1,039	2,350	13.2	99	16
1.6	30.5	20	1,160	2,740	17.9	125	20
1.85	38		1,300	2,960	27.2	315	25
1.85	43		2,160	5,880	61.3	347	30

1N  $\approx$  0.102kgf 1N · m  $\approx$  0.102kgf · m

# SM-W TYPE

– Double-Wide Type –



## part number structure

example **SMS 25 G W UU**

specification  
**SM:** standard  
**SMS:** anti-corrosion

inner contact diameter (dr)

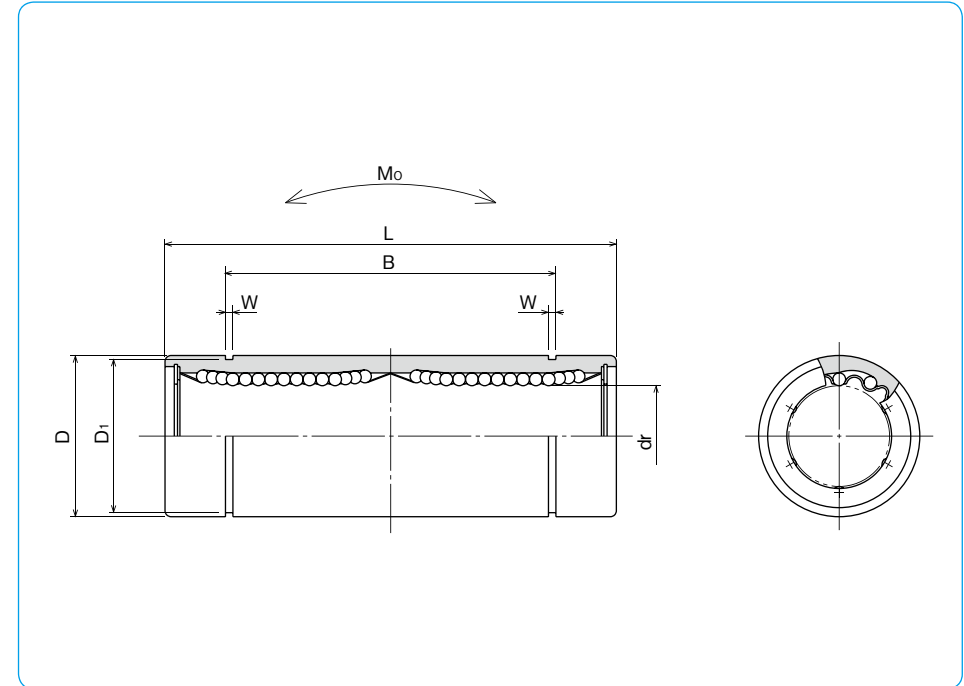
retainer material  
**blank:** standard/steel  
 anti-corrosion/stainless steel  
**G:** resin

seal  
**blank:** without seal  
**UU:** seals on both sides  
**ZZ:** doublelip-seals on both sides

double-wide type

Doublelip-seal is available for size 6 to 30.

part number		number of ball circuits	dr mm	major dimensions	
standard	anti-corrosion			D mm	tolerance μm
SM 3W	SMS 3W	4	3	7	0
SM 4W	SMS 4W	4	4	8	-11
SM 5W	SMS 5W	4	5	10	0
SM 6W	SMS 6W	4	6	12	-13
SM 8W	SMS 8W	4	8	15	0
SM10W	SMS10W	4	10	19	-16
SM12W	SMS12W	4	12	21	0
SM13W	SMS13W	4	13	23	-19
SM16W	SMS16W	4	16	28	0
SM20W	SMS20W	5	20	32	-12
SM25W	SMS25W	6	25	40	0
SM30W	SMS30W	6	30	45	-22
SM35W	SMS35W	6	35	52	0
SM40W	SMS40W	6	40	60	-22
SM50W	SMS50W	6	50	80	0
SM60W	SMS60W	6	60	90	0/-25

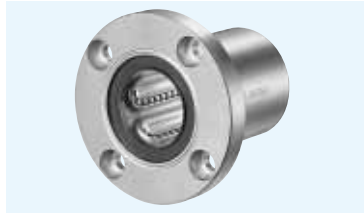


L mm	tolerance mm	B mm	tolerance mm	W mm	D <sub>1</sub> mm	eccentricity μm	basic load rating dynamic C N	static Co N	allowable static moment Mo N·m	mass g	shaft diameter mm
19		—	—	—	—	10	138	210	0.51	3.2	3
23		—	—	—	—	10	176	254	0.63	4.8	4
28		20.4		1.1	9.6	10	265	412	1.38	11	5
35		27		1.1	11.5	10	323	530	2.18	16	6
45	0	35		1.1	14.3	15	431	784	4.31	31	8
55	-0.3	44	0	1.3	18	15	588	1,100	7.24	62	10
57		46	-0.3	1.3	20	15	813	1,570	10.9	80	12
61		46		1.3	22	15	813	1,570	11.6	90	13
70		53		1.6	27	15	1,230	2,350	19.7	145	16
80		61		1.6	30.5	20	1,400	2,740	26.8	180	20
112		82		1.85	38	20	1,560	3,140	43.4	440	25
123		89		1.85	43	20	2,490	5,490	82.8	480	30
135	0	99	0	2.1	49	25	2,650	6,270	110	795	35
151	-0.4	121	-0.4	2.1	57	25	3,430	8,040	147	1,170	40
192		148		2.6	76.5	25	6,080	15,900	397	3,100	50
209		170		3.15	86.5	30	7,550	20,000	530	3,500	60

1N ≅ 0.102kgf 1N · m ≅ 0.102kgf · m

# SMF TYPE

– Round Flange Type –



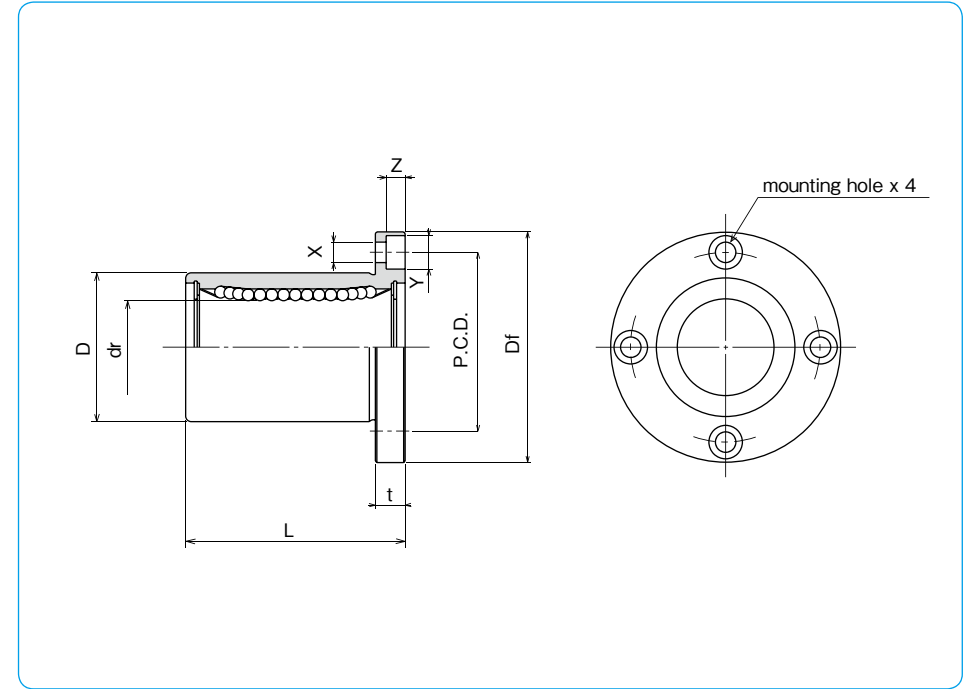
## part number structure

example **SMSF 25 G UU-SK**

specification SMF: standard SMSF: anti-corrosion	outer cylinder surface treatment blank: no surface treatment SK: electroless nickel plating LF: low temperature black chrome treatment with fluoride coating SB: black oxide (not available on anti-corrosion type) SC: industrial chrome plating
inner contact diameter (dr)	seal blank: without seal UU: seals on both sides ZZ: doublelip-seals on both sides
retainer material blank: standard/steel anti-corrosion/stainless steel G: resin	

Doublelip-seal is available for size 6 to 30.

part number				number of ball circuits	dr mm	dr tolerance μm	major dimensions		
standard steel retainer	anti-corrosion resin retainer	stainless steel retainer	resin retainer				D mm	D tolerance μm	L ±0.3 mm
SMF 6	SMF 6G	SMSF 6	SMSF 6G	4	6	0	12	19	
SMF 8s	SMF 8sG	SMSF 8s	SMSF 8sG	4	8	-9	15	17	
SMF 8	SMF 8G	SMSF 8	SMSF 8G	4	8	-13	15	24	
SMF 10	SMF10G	SMSF10	SMSF10G	4	10	-9	19	29	
SMF 12	SMF12G	SMSF12	SMSF12G	4	12	-9	21	30	
SMF 13	SMF13G	SMSF13	SMSF13G	4	13	-16	23	32	
SMF 16	SMF16G	SMSF16	SMSF16G	4	16	-16	28	37	
SMF 20	SMF20G	SMSF20	SMSF20G	5	20	-10	32	42	
SMF 25	SMF25G	SMSF25	SMSF25G	6	25	-10	40	59	
SMF 30	SMF30G	SMSF30	SMSF30G	6	30	-10	45	64	
SMF 35	SMF35G	SMSF35	SMSF35G	6	35	-12	52	70	
SMF 40	SMF40G	SMSF40	SMSF40G	6	40	-12	60	80	
SMF 50	SMF50G	SMSF50	SMSF50G	6	50	-12	80	100	
SMF 60	SMF60G	SMSF60	SMSF60G	6	60	0	90	110	
SMF 80	-	-	-	6	80	-15	120	140	
SMF100	-	-	-	6	100	0/-20	150	0/-29 175	

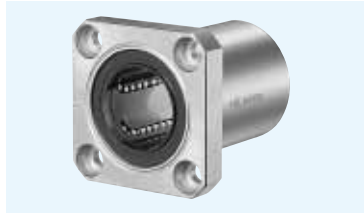


Df mm	t mm	flange P.C.D. mm	X×Y×Z mm	eccentricity μm	perpendicularity μm	basic load rating		mass g	shaft diameter mm
						dynamic C N	static Co N		
28	5	20	3.5×6×3.1	12	12	206	265	24	6
32	5	24	3.5×6×3.1			176	216	32	8
32	5	24	3.5×6×3.1			274	392	37	8
40	6	29	4.5×7.5×4.1			372	549	72	10
42	6	32	4.5×7.5×4.1			510	784	76	12
43	6	33	4.5×7.5×4.1			510	784	88	13
48	6	38	4.5×7.5×4.1	774	1,180	120	16		
54	8	43	5.5×9×5.1	15	15	882	1,370	180	20
62	8	51	5.5×9×5.1			980	1,570	340	25
74	10	60	6.6×11×6.1			1,570	2,740	470	30
82	10	67	6.6×11×6.1			1,670	3,140	650	35
96	13	78	9×14×8.1			2,160	4,020	1,060	40
116	13	98	9×14×8.1			3,820	7,940	2,200	50
134	18	112	11×17×11.1	25	25	4,700	10,000	3,000	60
164	18	142	11×17×11.1			7,350	16,000	5,800	80
200	20	175	14×20×13.1			14,100	34,800	10,600	100

1N≒0.102kgf

# SMK TYPE

– Square Flange Type –



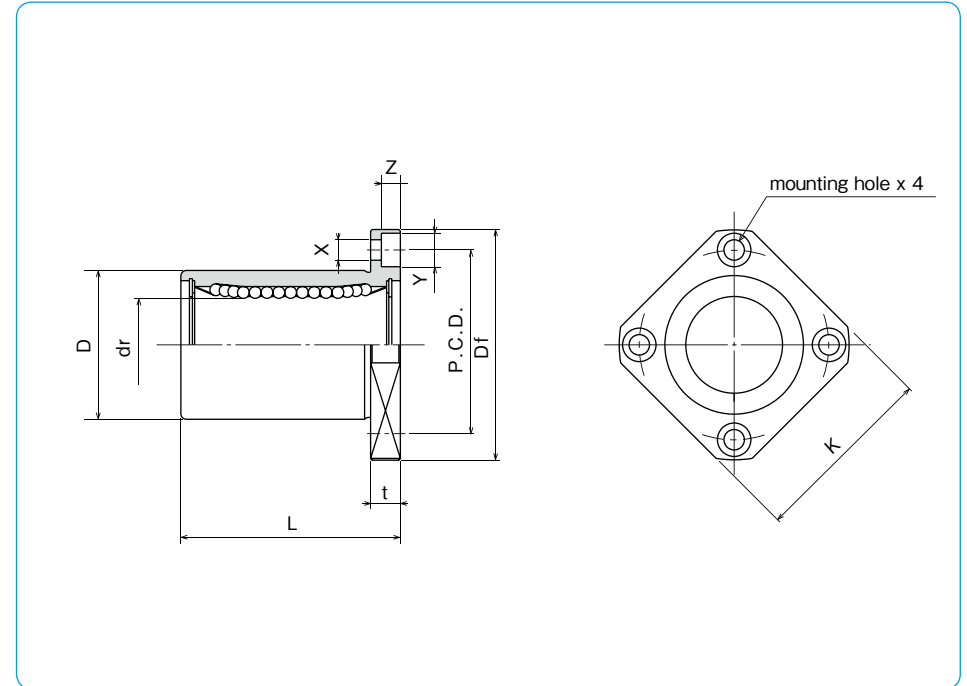
## part number structure

example **SMSK 25 G UU -SK**

specification <b>SMK</b> : standard <b>SMSK</b> : anti-corrosion	inner contact diameter (dr)	retainer material <b>blank</b> : standard/steel anti-corrosion/stainless steel <b>G</b> : resin	outer cylinder surface treatment <b>blank</b> : no surface treatment <b>SK</b> : electroless nickel plating <b>LF</b> : low temperature black chrome treatment with fluoride coating <b>SB</b> : black oxide (not available on anti-corrosion type) <b>SC</b> : industrial chrome plating	seal <b>blank</b> : without seal <b>UU</b> : seals on both sides <b>ZZ</b> : doublelip-seals on both sides
--	-----------------------------	--	--	---

Doublelip-seal is available for size 6 to 30.

part number				number of ball circuits	major dimensions				
standard steel retainer	anti-corrosion resin retainer	stainless steel retainer	resin retainer		dr	D	L		
				mm	tolerance μm	mm	tolerance μm	±0.3 mm	
<b>SMK 6</b>	<b>SMK 6G</b>	<b>SMSK 6</b>	<b>SMSK 6G</b>	4	6	12	0	19	
<b>SMK 8s</b>	<b>SMK 8sG</b>	<b>SMSK 8s</b>	<b>SMSK 8sG</b>	4	8	15	-13	17	
<b>SMK 8</b>	<b>SMK 8G</b>	<b>SMSK 8</b>	<b>SMSK 8G</b>	4	8	15		24	
<b>SMK 10</b>	<b>SMK10G</b>	<b>SMSK10</b>	<b>SMSK10G</b>	4	10	19	0	29	
<b>SMK 12</b>	<b>SMK12G</b>	<b>SMSK12</b>	<b>SMSK12G</b>	4	12	21	-16	30	
<b>SMK 13</b>	<b>SMK13G</b>	<b>SMSK13</b>	<b>SMSK13G</b>	4	13	23		32	
<b>SMK 16</b>	<b>SMK16G</b>	<b>SMSK16</b>	<b>SMSK16G</b>	4	16	28		37	
<b>SMK 20</b>	<b>SMK20G</b>	<b>SMSK20</b>	<b>SMSK20G</b>	5	20	32	0	42	
<b>SMK 25</b>	<b>SMK25G</b>	<b>SMSK25</b>	<b>SMSK25G</b>	6	25	40	-19	59	
<b>SMK 30</b>	<b>SMK30G</b>	<b>SMSK30</b>	<b>SMSK30G</b>	6	30	45		64	
<b>SMK 35</b>	<b>SMK35G</b>	<b>SMSK35</b>	<b>SMSK35G</b>	6	35	52	0	70	
<b>SMK 40</b>	<b>SMK40G</b>	<b>SMSK40</b>	<b>SMSK40G</b>	6	40	60	-22	80	
<b>SMK 50</b>	<b>SMK50G</b>	<b>SMSK50</b>	<b>SMSK50G</b>	6	50	80		100	
<b>SMK 60</b>	<b>SMK60G</b>	<b>SMSK60</b>	<b>SMSK60G</b>	6	60	90	0	110	
<b>SMK 80</b>	—	—	—	6	80	120	-25	140	
<b>SMK100</b>	—	—	—	6	100	0/-20	150	0/-29	175



Df	K	flange			eccentricity	perpendicularity	basic load rating		mass	shaft diameter
		t	P.C.D.	X×Y×Z			dynamic C	static Co		
mm	mm	mm	mm	mm	μm	μm	N	N	g	mm
28	22	5	20	3.5×6×3.1	12	12	206	265	18	6
32	25	5	24	3.5×6×3.1			176	216	24	8
32	25	5	24	3.5×6×3.1			274	392	29	8
40	30	6	29	4.5×7.5×4.1			372	549	52	10
42	32	6	32	4.5×7.5×4.1			510	784	57	12
43	34	6	33	4.5×7.5×4.1			510	784	72	13
48	37	6	38	4.5×7.5×4.1	774	1,180	104	16		
54	42	8	43	5.5×9×5.1	15	15	882	1,370	145	20
62	50	8	51	5.5×9×5.1			980	1,570	300	25
74	58	10	60	6.6×11×6.1			1,570	2,740	375	30
82	64	10	67	6.6×11×6.1			1,670	3,140	560	35
96	75	13	78	9×14×8.1			2,160	4,020	880	40
116	92	13	98	9×14×8.1			3,820	7,940	2,000	50
134	106	18	112	11×17×11.1	25	25	4,700	10,000	2,560	60
164	136	18	142	11×17×11.1			7,350	16,000	5,300	80
200	170	20	175	14×20×13.1			14,100	34,800	9,900	100

1N≒0.102kgf

# SMT TYPE

– Two Side Cut Flange Type –



## part number structure

example **SMST 25 G UU -SK**

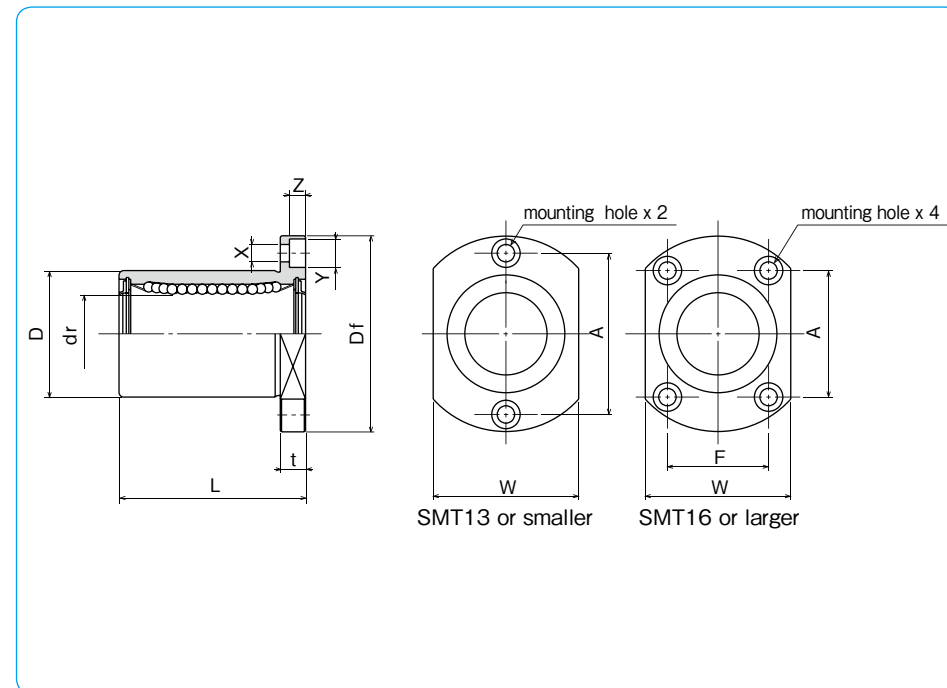
specification  
**SMT**: standard  
**SMST**: anti-corrosion

inner contact diameter (dr)

retainer material  
**blank**: standard/steel  
 anti-corrosion/stainless steel  
**G**: resin

outer cylinder  
 surface treatment  
**blank**: no surface treatment  
**SK**: electroless nickel plating  
**LF**: low temperature black chrome  
 treatment with fluoride coating  
**SB**: black oxide (not available on  
 anti-corrosion type)  
**SC**: industrial chrome plating

seal  
**UU**: seals on both sides  
**ZZ**: doublelip-seals on both sides



part number*				number of ball circuits	dr mm	dr tolerance μm	major dimensions		
standard steel retainer	standard resin retainer	anti-corrosion stainless retainer	anti-corrosion resin retainer				D mm	D tolerance μm	L ±0.3 mm
<b>SMT 6UU</b>	<b>SMT 6GUU</b>	<b>SMST 6UU</b>	<b>SMST 6GUU</b>	4	6	0	12	0	19
<b>SMT 8UU</b>	<b>SMT 8GUU</b>	<b>SMST 8UU</b>	<b>SMST 8GUU</b>	4	8	-9	15	-13	24
<b>SMT 10UU</b>	<b>SMT 10GUU</b>	<b>SMST 10UU</b>	<b>SMST 10GUU</b>	4	10	0	19	0	29
<b>SMT 12UU</b>	<b>SMT 12GUU</b>	<b>SMST 12UU</b>	<b>SMST 12GUU</b>	4	12	-9	21	0	30
<b>SMT 13UU</b>	<b>SMT 13GUU</b>	<b>SMST 13UU</b>	<b>SMST 13GUU</b>	4	13	0	23	-16	32
<b>SMT 16UU</b>	<b>SMT 16GUU</b>	<b>SMST 16UU</b>	<b>SMST 16GUU</b>	4	16	-9	28	-16	37
<b>SMT 20UU</b>	<b>SMT 20GUU</b>	<b>SMST 20UU</b>	<b>SMST 20GUU</b>	5	20	0	32	0	42
<b>SMT 25UU</b>	<b>SMT 25GUU</b>	<b>SMST 25UU</b>	<b>SMST 25GUU</b>	6	25	-10	40	-19	59
<b>SMT 30UU</b>	<b>SMT 30GUU</b>	<b>SMST 30UU</b>	<b>SMST 30GUU</b>	6	30	-10	45	-19	64

\* Seals-on-both-sides is standard.

Df mm	W mm	t mm	flange			X×Y×Z mm	eccentricity μm	perpendicularity μm	basic load rating		mass g	shaft diameter mm
			A mm	F mm	dynamic C N				static Co N			
28	18	5	20	—	3.5×6×3.1	12	12	206	265	21	6	
32	21	5	24	—	3.5×6×3.1			274	392	33	8	
40	25	6	29	—	4.5×7.5×4.1			372	549	64	10	
42	27	6	32	—	4.5×7.5×4.1			510	784	68	12	
43	29	6	33	—	4.5×7.5×4.1			510	784	81	13	
48	34	6	31	22	4.5×7.5×4.1			774	1,180	112	16	
54	38	8	36	24	5.5×9×5.1	15	15	882	1,370	167	20	
62	46	8	40	32	5.5×9×5.1			980	1,570	325	25	
62	46	8	40	32	5.5×9×5.1			1,570	2,740	388	30	
74	51	10	49	35	6.6×11×6.1			1,570	2,740	388	30	

1N≐0.102kgf

# SMF-E TYPE

– Round Flange Type with Pilot End –



## part number structure

example **SMSF 25 G UU -E -SK**

specification  
**SMF**: standard  
**SMSF**: anti-corrosion

inner contact diameter (dr)

retainer material  
**blank**: standard/steel  
**G**: anti-corrosion/stainless steel  
**G**: resin

outer cylinder surface treatment  
**blank**: no surface treatment  
**SK**: electroless nickel plating  
**LF**: low temperature black chrome treatment with fluoride coating  
**SB**: black oxide (not available on anti-corrosion type)  
**SC**: industrial chrome plating

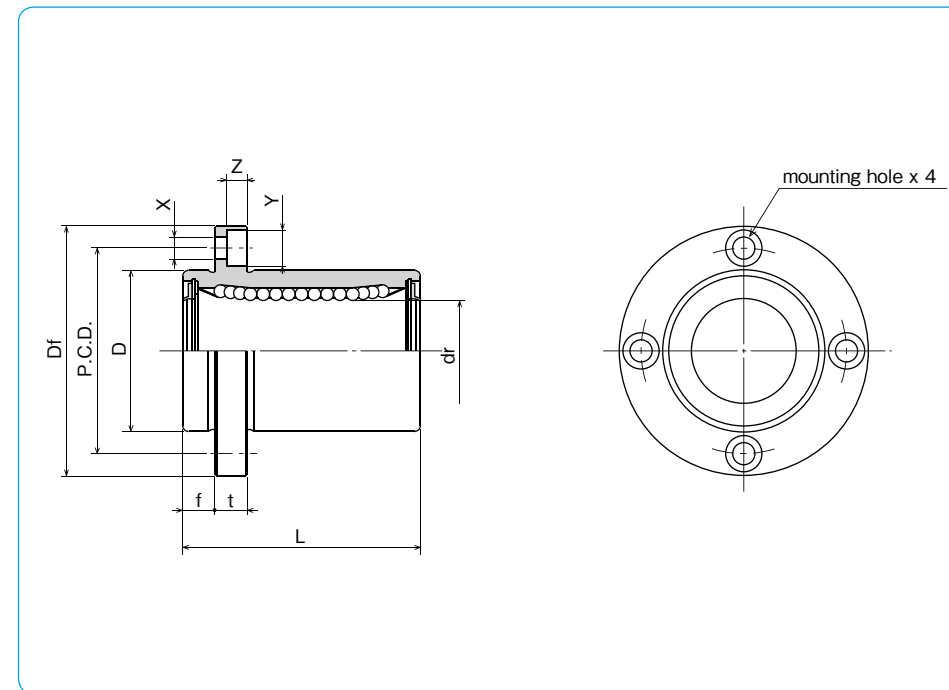
with pilot end

seal  
**UU**: seals on both sides  
**ZZ**: doublelip-seals on both sides

Doublelip-seal is available for size 6 to 30.

part number*				number of ball circuits	dr mm	major dimensions		
standard steel retainer	anti-corrosion resin retainer	stainless steel retainer	resin retainer			dr tolerance μm	D mm	D tolerance μm
SMF 6UU-E	SMF 6GUU-E	SMSF 6UU-E	SMSF 6GUU-E	4	6	12	0	19
SMF 8UU-E	SMF 8GUU-E	SMSF 8UU-E	SMSF 8GUU-E	4	8	15	-13	24
SMF 10UU-E	SMF 10GUU-E	SMSF 10UU-E	SMSF 10GUU-E	4	10	19	0	29
SMF 12UU-E	SMF 12GUU-E	SMSF 12UU-E	SMSF 12GUU-E	4	12	21	-9	30
SMF 13UU-E	SMF 13GUU-E	SMSF 13UU-E	SMSF 13GUU-E	4	13	23	-16	32
SMF 16UU-E	SMF 16GUU-E	SMSF 16UU-E	SMSF 16GUU-E	4	16	28	0	37
SMF 20UU-E	SMF 20GUU-E	SMSF 20UU-E	SMSF 20GUU-E	5	20	32	0	42
SMF 25UU-E	SMF 25GUU-E	SMSF 25UU-E	SMSF 25GUU-E	6	25	40	-10	59
SMF 30UU-E	SMF 30GUU-E	SMSF 30UU-E	SMSF 30GUU-E	6	30	45	0	64
SMF 35UU-E	SMF 35GUU-E	—	—	6	35	52	0	70
SMF 40UU-E	SMF 40GUU-E	—	—	6	40	60	-12	80
SMF 50UU-E	SMF 50GUU-E	—	—	6	50	80	0	100
SMF 60UU-E	SMF 60GUU-E	—	—	6	60	90	0/-15	110

\* Seals-on-both-sides is standard.



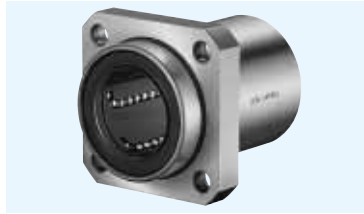
f mm	Df mm	flange			eccentricity μm	perpendicularity μm	basic load rating		mass g	shaft diameter mm
		t mm	P.C.D. mm	X×Y×Z mm			dynamic C N	static Co N		
5	28	5	20	3.5×6×3.1	12	12	206	265	24	6
5	32	5	24	3.5×6×3.1			274	392	37	8
6	40	6	29	4.5×7.5×4.1			372	549	72	10
6	42	6	32	4.5×7.5×4.1			510	784	76	12
6	43	6	33	4.5×7.5×4.1	15	15	510	784	88	13
6	48	6	38	4.5×7.5×4.1			774	1,180	120	16
8	54	8	43	5.5×9×5.1			882	1,370	180	20
8	62	8	51	5.5×9×5.1			980	1,570	340	25
10	74	10	60	6.6×11×6.1	20	20	1,570	2,740	470	30
10	82	10	67	6.6×11×6.1			1,670	3,140	650	35
13	96	13	78	9×14×8.1			2,160	4,020	1,060	40
13	116	13	98	9×14×8.1			3,820	7,940	2,200	50
18	134	18	112	11×17×11.1	25	25	4,700	10,000	3,000	60

1N≐0.102kgf



# SMK-E TYPE

– Square Flange Type with Pilot End –



## part number structure

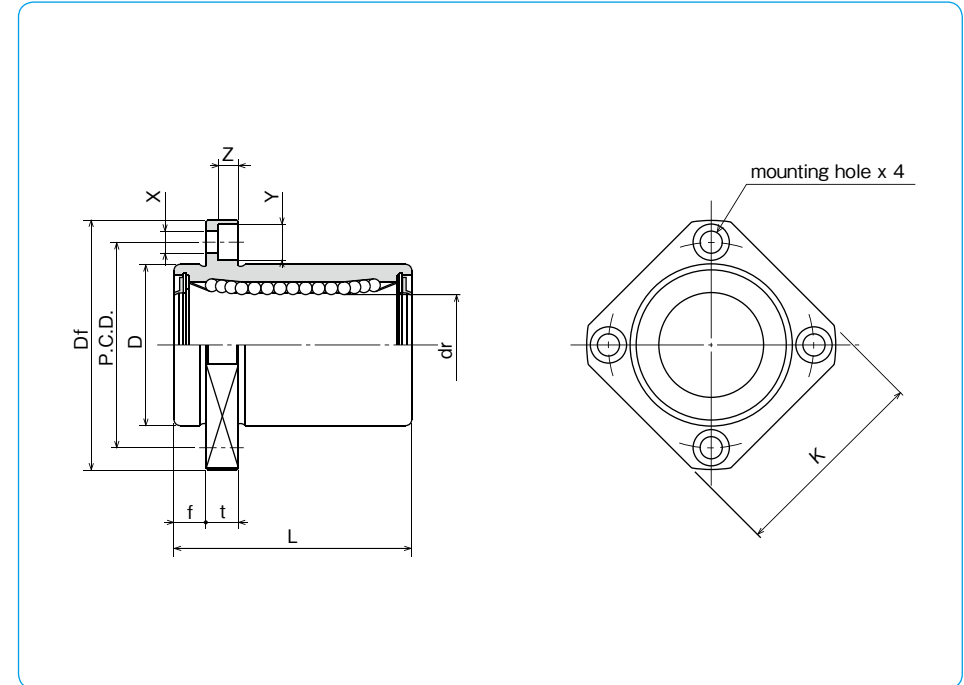
example **SMSK 25 G UU -E -SK**

specification SMK: standard SMSK: anti-corrosion	outer cylinder surface treatment blank: no surface treatment SK: electroless nickel plating LF: low temperature black chrome treatment with fluoride coating SB: black oxide (not available on anti-corrosion type) SC: industrial chrome plating
inner contact diameter (dr)	with pilot end
retainer material blank: standard/steel G: resin	seal UU: seals on both sides ZZ: doublelip-seals on both sides

Doublelip-seal is available for size 6 to 30.

part number*				number of ball circuits	dr		major dimensions		
standard steel retainer	anti-corrosion resin retainer	stainless steel retainer	resin retainer		mm	tolerance $\mu\text{m}$	D mm	tolerance $\mu\text{m}$	L $\pm 0.3$ mm
SMK 6UU-E	SMK 6GUU-E	SMSK 6UU-E	SMSK 6GUU-E	4	6	12	0	19	
SMK 8UU-E	SMK 8GUU-E	SMSK 8UU-E	SMSK 8GUU-E	4	8	15	-13	24	
SMK 10UU-E	SMK 10GUU-E	SMSK 10UU-E	SMSK 10GUU-E	4	10	19	0	29	
SMK 12UU-E	SMK 12GUU-E	SMSK 12UU-E	SMSK 12GUU-E	4	12	21	0	30	
SMK 13UU-E	SMK 13GUU-E	SMSK 13UU-E	SMSK 13GUU-E	4	13	23	-16	32	
SMK 16UU-E	SMK 16GUU-E	SMSK 16UU-E	SMSK 16GUU-E	4	16	28		37	
SMK 20UU-E	SMK 20GUU-E	SMSK 20UU-E	SMSK 20GUU-E	5	20	32	0	42	
SMK 25UU-E	SMK 25GUU-E	SMSK 25UU-E	SMSK 25GUU-E	6	25	40	-19	59	
SMK 30UU-E	SMK 30GUU-E	SMSK 30UU-E	SMSK 30GUU-E	6	30	45		64	
SMK 35UU-E	SMK 35GUU-E	—	—	6	35	52	0	70	
SMK 40UU-E	SMK 40GUU-E	—	—	6	40	60	0	80	
SMK 50UU-E	SMK 50GUU-E	—	—	6	50	80	-22	100	
SMK 60UU-E	SMK 60GUU-E	—	—	6	60	90	0/-25	110	

\* Seals-on-both-sides is standard.

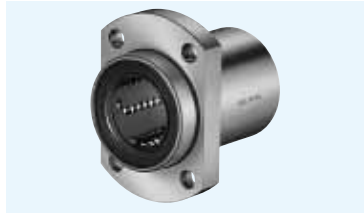


f mm	Df mm	flange			eccentricity $\mu\text{m}$	perpendicularity $\mu\text{m}$	basic load rating		mass g	shaft diameter mm
		K mm	t mm	P.C.D. mm			X×Y×Z mm	dynamic C N		
5	28	22	5	20	12	12	206	265	18	6
5	32	25	5	24			274	392	29	8
6	40	30	6	29			372	549	52	10
6	42	32	6	32			510	784	57	12
6	43	34	6	33			510	784	72	13
6	48	37	6	38	774	1,180	104	16		
8	54	42	8	43	15	15	882	1,370	145	20
8	62	50	8	51			980	1,570	300	25
10	74	58	10	60			1,570	2,740	375	30
10	82	64	10	67			1,670	3,140	560	35
13	96	75	13	78			2,160	4,020	880	40
13	116	92	13	98	3,820	7,940	2,000	50		
18	134	106	18	112	25	25	4,700	10,000	2,560	60

1N $\approx$ 0.102kgf

# SMT-E TYPE

– Two Side Cut Pilot End Flange Type –



## part number structure

example **SMST 25 G UU -E -SK**

specification  
**SMT**: standard  
**SMST**: anti-corrosion

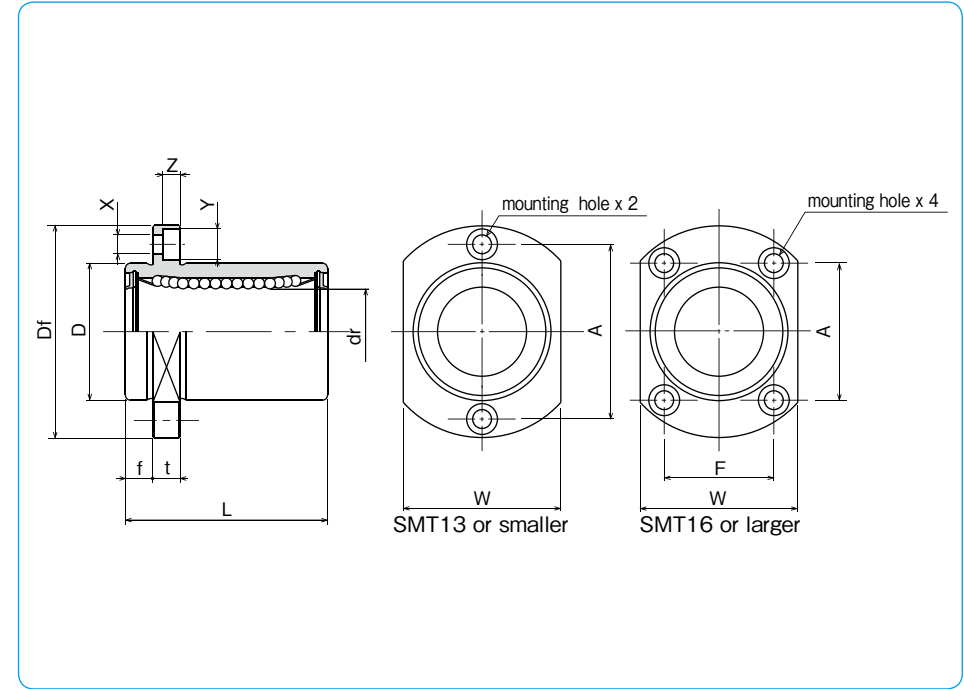
inner contact diameter (dr)

retainer material  
**blank**: standard/steel  
 anti-corrosion/stainless steel  
**G**: resin

outer cylinder surface treatment  
**blank**: no surface treatment  
**SK**: electroless nickel plating  
**LF**: low temperature black chrome treatment with fluoride coating  
**SB**: black oxide (not available on anti-corrosion type)  
**SC**: industrial chrome plating

with pilot end

seal  
**UU**: seals on both sides  
**ZZ**: doublelip-seals on both sides



part number*				number of ball circuits	major dimensions		
standard steel retainer	standard resin retainer	anti-corrosion stainless retainer	anti-corrosion resin retainer		dr mm	D mm	L mm
					tolerance μm	tolerance μm	±0.3 mm
SMT 6UU-E	SMT 6GUU-E	SMST 6UU-E	SMST 6GUU-E	4	6	12	19
SMT 8UU-E	SMT 8GUU-E	SMST 8UU-E	SMST 8GUU-E	4	8	15	24
SMT10UU-E	SMT10GUU-E	SMST10UU-E	SMST10GUU-E	4	10	19	29
SMT12UU-E	SMT12GUU-E	SMST12UU-E	SMST12GUU-E	4	12	21	30
SMT13UU-E	SMT13GUU-E	SMST13UU-E	SMST13GUU-E	4	13	23	32
SMT16UU-E	SMT16GUU-E	SMST16UU-E	SMST16GUU-E	4	16	28	37
SMT20UU-E	SMT20GUU-E	SMST20UU-E	SMST20GUU-E	5	20	32	42
SMT25UU-E	SMT25GUU-E	SMST25UU-E	SMST25GUU-E	6	25	40	59
SMT30UU-E	SMT30GUU-E	SMST30UU-E	SMST30GUU-E	6	30	45	64

\* Seals-on-both-sides is standard.

f mm	Df mm	flange				eccentricity μm	perpendicularity μm	basic load rating		mass g	shaft diameter mm
		W mm	t mm	A mm	F mm			dynamic C N	static Co N		
5	28	18	5	20	—	12	12	206	265	21	6
5	32	21	5	24	—			274	392	33	8
6	40	25	6	29	—			372	549	64	10
6	42	27	6	32	—			510	784	68	12
6	43	29	6	33	—			510	784	81	13
6	48	34	6	31	22			774	1,180	112	16
8	54	38	8	36	24	15	15	882	1,370	167	20
8	62	46	8	40	32			980	1,570	325	25
8	62	46	8	40	32			1,570	2,740	388	30
10	74	51	10	49	35						

1N≒0.102kgf

# SMK-G-L TYPE

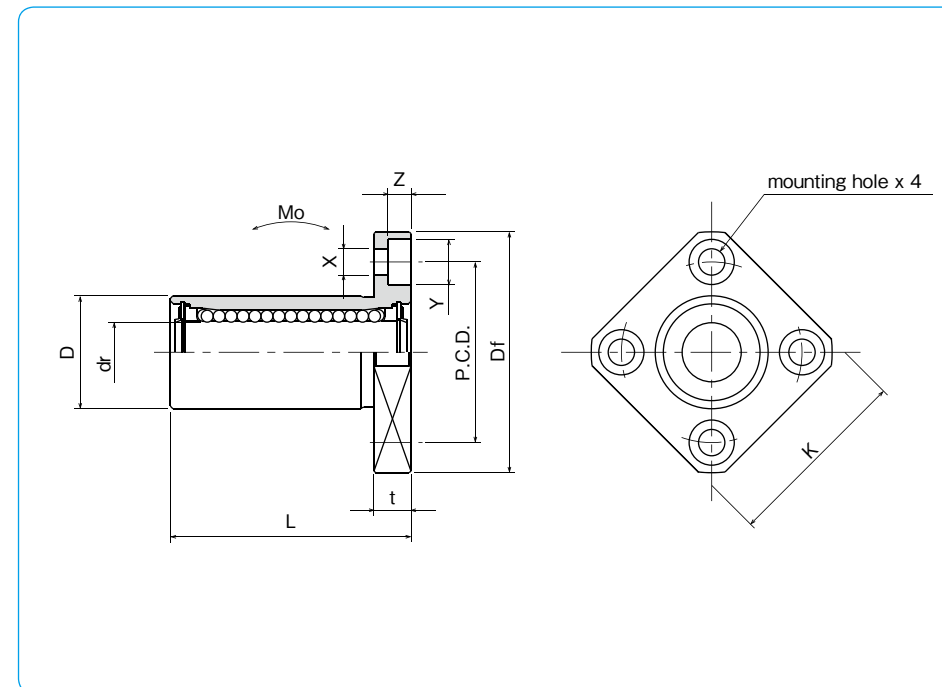
– Square Flange Long type –



## part number structure

example **SMK25G-LUU-SK**

SMK type	inner contact diameter (dr)	resin retainer	outer cylinder surface treatment	seal	long type
			blank: no surface treatment SK: electroless nickel plating LF: low temperature black chrome treatment with fluoride coating SB: black oxide (not available on anti-corrosion type) SC: industrial chrome plating	UU: seals on both sides ZZ: doublelip-seals on both sides	



part number*	number of ball circuits	dr		D		major dimensions				
		mm	tolerance $\mu\text{m}$	mm	tolerance $\mu\text{m}$	L $\pm 0.3$ mm	Df mm	K mm	t mm	flange P.C.D. mm
SMK 6G-LUU	4	6	0	12	0	26	28	22	5	20
SMK 8G-LUU	4	8		15	-13	32	32	25	5	24
SMK 10G-LUU	4	10		19	-16	39	40	30	6	29
SMK 12G-LUU	4	12		21		0	41	42	32	6
SMK 13G-LUU	4	13	23	0		45	43	34	6	33
SMK 16G-LUU	4	16	28	0		53	48	37	6	38
SMK 20G-LUU	5	20	-12	32	0	59	54	42	8	43
SMK 25G-LUU	6	25		40	-19	83	62	50	8	51
SMK 30G-LUU	6	30		45	0	90	74	58	10	60

\* Seals-on-both-sides is standard.

X×Y×Z mm	eccentricity $\mu\text{m}$	perpendicularity $\mu\text{m}$	basic load rating		allowable static moment $M_o$ N·m	mass g	shaft diameter mm
			dynamic C N	static $C_o$ N			
3.5×6×3.1	15	15	262	476	1.15	20	6
3.5×6×3.1			352	615	1.94	32	8
4.5×7.5×4.1			493	1,005	3.98	59	10
4.5×7.5×4.1			637	1,430	6.26	67	12
4.5×7.5×4.1			682	1,560	7.68	88	13
4.5×7.5×4.1	20	20	1,039	2,350	13.2	125	16
5.5×9×5.1			1,160	2,740	17.9	170	20
5.5×9×5.1			1,300	2,960	27.2	380	25
5.5×9×5.1			1,300	2,960	27.2	380	25
6.6×11×6.1			2,160	5,880	61.3	460	30

1N  $\approx$  0.102kgf 1N·m  $\approx$  0.102kgf·m

# SMF-W TYPE

– Round Flange Double-Wide Type –



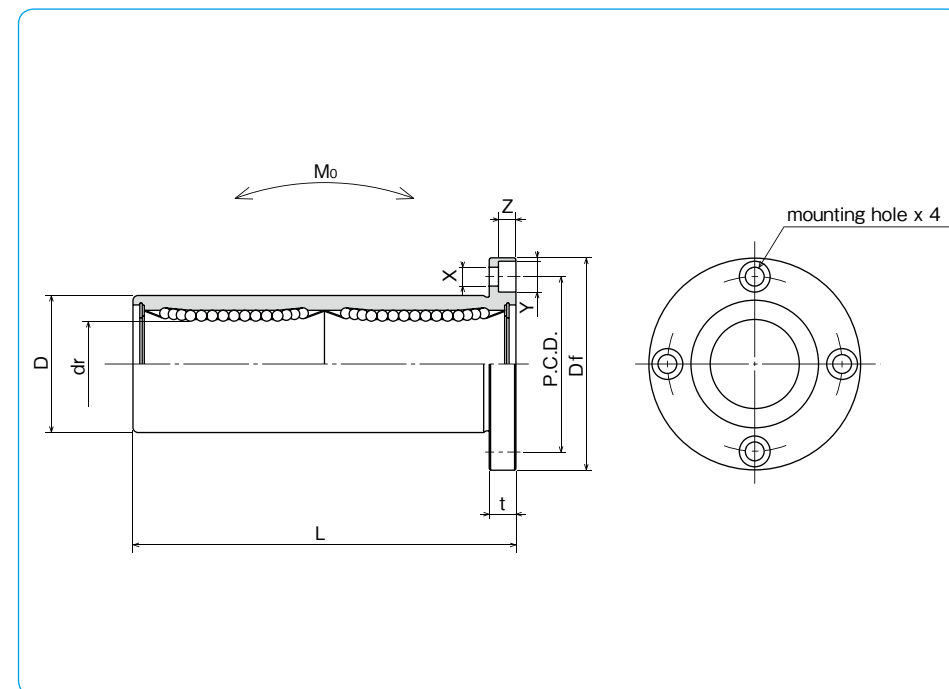
## part number structure

example **SMSF 25 G W UU -SK**

specification SMF: standard SMSF: anti-corrosion	outer cylinder surface treatment blank: no surface treatment SK: electroless nickel plating LF: low temperature black chrome treatment with fluoride coating SB: black oxide (not available on anti-corrosion type) SC: industrial chrome plating
inner contact diameter (dr)	seal blank: without seal UU: seals on both sides ZZ: doublelip-seals on both sides
retainer material blank: standard/steel anti-corrosion/stainless steel G: resin	double-wide type

Doublelip-seal is available for size 6 to 30.

part number				number of ball circuits	dr		major dimensions		
standard steel retainer	resin retainer	anti-corrosion stainless retainer	resin retainer		mm	tolerance $\mu\text{m}$	D mm	tolerance $\mu\text{m}$	L $\pm 0.3$ mm
SMF 6W	SMF 6GW	SMSF 6W	SMSF 6GW	4	6	0	12	0	35
SMF 8W	SMF 8GW	SMSF 8W	SMSF 8GW	4	8	0	15	-13	45
SMF10W	SMF10GW	SMSF10W	SMSF10GW	4	10	0	19	0	55
SMF12W	SMF12GW	SMSF12W	SMSF12GW	4	12	-10	21	0	57
SMF13W	SMF13GW	SMSF13W	SMSF13GW	4	13	0	23	-16	61
SMF16W	SMF16GW	SMSF16W	SMSF16GW	4	16	0	28	0	70
SMF20W	SMF20GW	SMSF20W	SMSF20GW	5	20	0	32	0	80
SMF25W	SMF25GW	SMSF25W	SMSF25GW	6	25	-12	40	-19	112
SMF30W	SMF30GW	SMSF30W	SMSF30GW	6	30	0	45	0	123
SMF35W	SMF35GW	SMSF35W	SMSF35GW	6	35	0	52	0	135
SMF40W	SMF40GW	SMSF40W	SMSF40GW	6	40	-15	60	-22	151
SMF50W	SMF50GW	SMSF50W	SMSF50GW	6	50	0	80	0	192
SMF60W	SMF60GW	SMSF60W	SMSF60GW	6	60	0/-20	90	0/-25	209

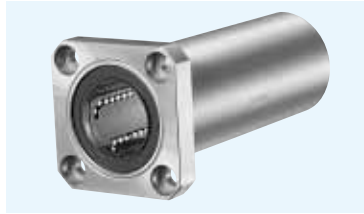


Df mm	t mm	flange P.C.D. mm	X × Y × Z mm	eccentricity $\mu\text{m}$	perpendicularity $\mu\text{m}$	basic load rating		allowable static moment $M_o$ N · m	mass g	shaft diameter mm
						dynamic C N	static $C_o$ N			
28	5	20	3.5 × 6 × 3.1	15	15	323	530	2.18	31	6
32	5	24	3.5 × 6 × 3.1			431	784	4.31	51	8
40	6	29	4.5 × 7.5 × 4.1			588	1,100	7.24	98	10
42	6	32	4.5 × 7.5 × 4.1			813	1,570	10.9	110	12
43	6	33	4.5 × 7.5 × 4.1			813	1,570	11.6	130	13
48	6	38	4.5 × 7.5 × 4.1			1,230	2,350	19.7	190	16
54	8	43	5.5 × 9 × 5.1	20	20	1,400	2,740	26.8	260	20
62	8	51	5.5 × 9 × 5.1			1,560	3,140	43.4	540	25
74	10	60	6.6 × 11 × 6.1			2,490	5,490	82.8	680	30
82	10	67	6.6 × 11 × 6.1			2,650	6,270	110	1,020	35
96	13	78	9 × 14 × 8.1	25	25	3,430	8,040	147	1,570	40
116	13	98	9 × 14 × 8.1			6,080	15,900	397	3,600	50
134	18	112	11 × 17 × 11.1			7,550	20,000	530	4,500	60

1N  $\approx$  0.102kgf 1N · m  $\approx$  0.102kgf · m

# SMK-W TYPE

– Square Flange Double-Wide Type –

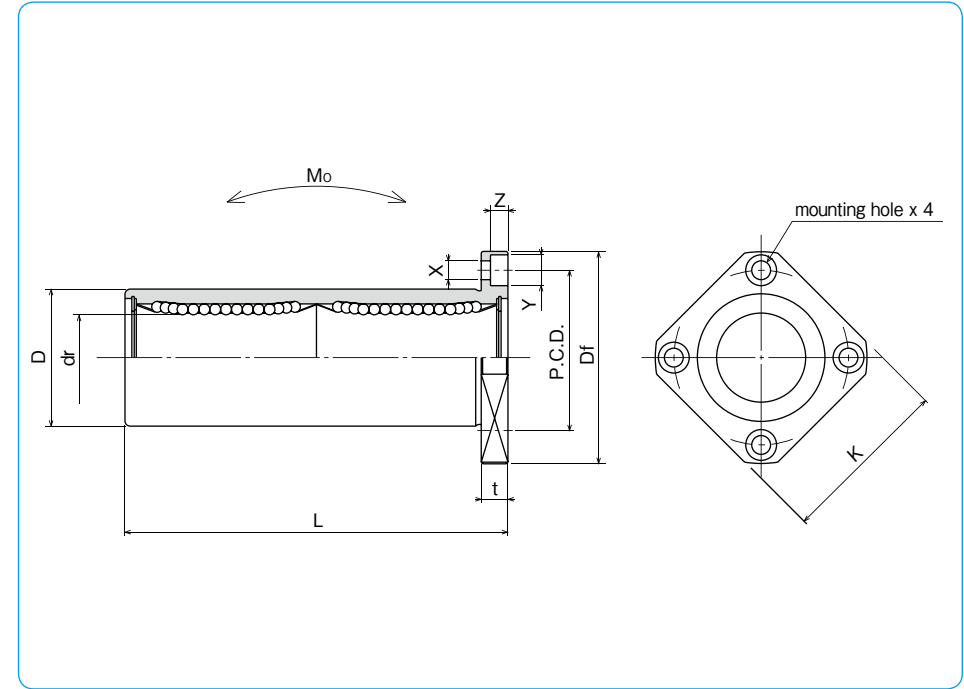


## part number structure

example **SMSK 25 G W UU -SK**

specification <b>SMK</b> : standard <b>SMSK</b> : anti-corrosion	outer cylinder surface treatment <b>blank</b> : no surface treatment <b>SK</b> : electroless nickel plating <b>LF</b> : low temperature black chrome treatment with fluoride coating <b>SB</b> : black oxide (not available on anti-corrosion type) <b>SC</b> : industrial chrome plating
inner contact diameter (dr)	seal <b>blank</b> : without seal <b>UU</b> : seals on both sides <b>ZZ</b> : doublelip-seals on both sides
retainer material <b>blank</b> : standard/steel anti-corrosion/stainless steel <b>G</b> : resin	double-wide type

Doublelip-seal is available for size 6 to 30.



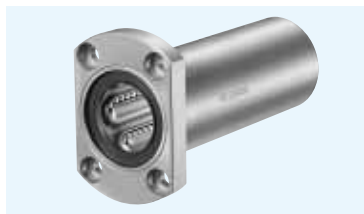
part number				number of ball circuits	dr mm	dr tolerance μm	major dimensions		
standard steel retainer	anti-corrosion resin retainer	stainless steel retainer	resin retainer				D mm	D tolerance μm	L ±0.3 mm
SMK 6W	SMK 6GW	SMSK 6W	SMSK 6GW	4	6	0	12	0	35
SMK 8W	SMK 8GW	SMSK 8W	SMSK 8GW	4	8	-10	15	-13	45
SMK 10W	SMK 10GW	SMSK 10W	SMSK 10GW	4	10	0	19	0	55
SMK 12W	SMK 12GW	SMSK 12W	SMSK 12GW	4	12	-10	21	0	57
SMK 13W	SMK 13GW	SMSK 13W	SMSK 13GW	4	13	0	23	-16	61
SMK 16W	SMK 16GW	SMSK 16W	SMSK 16GW	4	16	0	28	0	70
SMK 20W	SMK 20GW	SMSK 20W	SMSK 20GW	5	20	0	32	0	80
SMK 25W	SMK 25GW	SMSK 25W	SMSK 25GW	6	25	-12	40	-19	112
SMK 30W	SMK 30GW	SMSK 30W	SMSK 30GW	6	30	0	45	0	123
SMK 35W	SMK 35GW	SMSK 35W	SMSK 35GW	6	35	0	52	0	135
SMK 40W	SMK 40GW	SMSK 40W	SMSK 40GW	6	40	-15	60	-22	151
SMK 50W	SMK 50GW	SMSK 50W	SMSK 50GW	6	50	0	80	0	192
SMK 60W	SMK 60GW	SMSK 60W	SMSK 60GW	6	60	0/-20	90	0/-25	209

Df mm	K mm	flange			eccentricity μm	perpendicularity μm	basic load rating		allowable static moment Mo N·m	mass g	shaft diameter mm
		t mm	P.C.D. mm	X×Y×Z mm			dynamic C N	static Co N			
28	22	5	20	3.5×6×3.1	15	15	323	530	2.18	25	6
32	25	5	24	3.5×6×3.1			431	784	4.31	43	8
40	30	6	29	4.5×7.5×4.1			588	1,100	7.24	78	10
42	32	6	32	4.5×7.5×4.1			813	1,570	10.9	90	12
43	34	6	33	4.5×7.5×4.1			813	1,570	11.6	108	13
48	37	6	38	4.5×7.5×4.1			1,230	2,350	19.7	165	16
54	42	8	43	5.5×9×5.1	20	20	1,400	2,740	26.8	225	20
62	50	8	51	5.5×9×5.1			1,560	3,140	43.4	500	25
74	58	10	60	6.6×11×6.1			2,490	5,490	82.8	590	30
82	64	10	67	6.6×11×6.1			2,650	6,270	110	930	35
96	75	13	78	9×14×8.1			3,430	8,040	147	1,380	40
116	92	13	98	9×14×8.1			6,080	15,900	397	3,400	50
134	106	18	112	11×17×11.1	30	30	7,550	20,000	530	4,060	60

1N≒0.102kgf 1N·m≒0.102kgf·m

# SMT-W TYPE

– Two Side Cut Double-Wide Flange Type –



## part number structure

example **SMST 25 G W UU -SK**

specification  
**SMT**: standard  
**SMST**: anti-corrosion

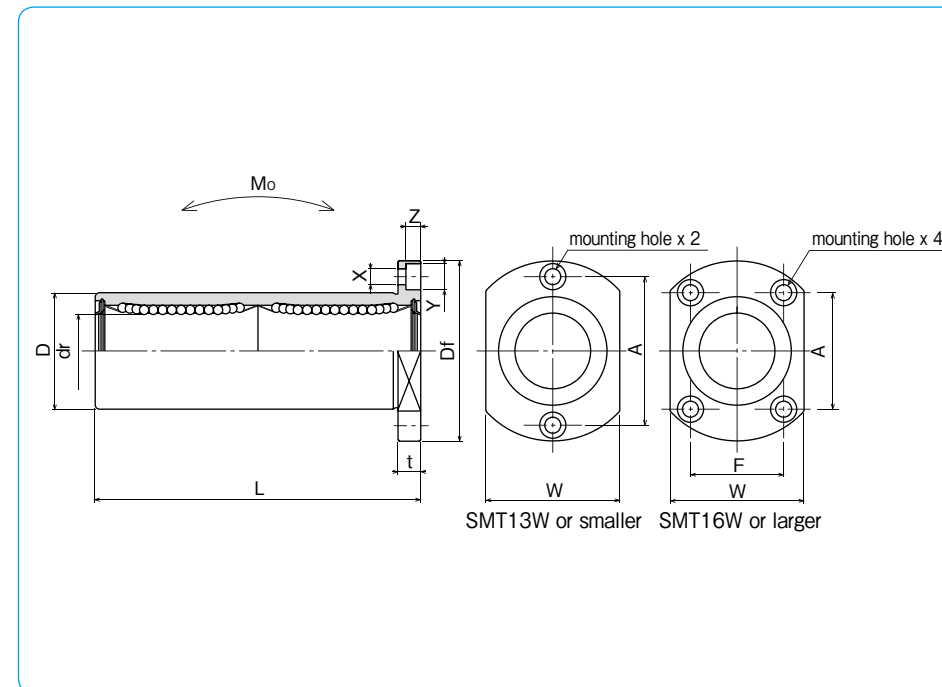
inner contact diameter (dr)

retainer material  
**blank**: standard/steel  
 anti-corrosion/stainless steel  
**G**: resin

outer cylinder surface treatment  
**blank**: no surface treatment  
**SK**: electroless nickel plating  
**LF**: low temperature black chrome treatment with fluoride coating  
**SB**: black oxide (not available on anti-corrosion type)  
**SC**: industrial chrome plating

seal  
**UU**: seals on both sides  
**ZZ**: doublelip-seals on both sides

double-wide type



part number*				number of ball circuits	major dimensions		
standard steel retainer	anti-corrosion resin retainer	stainless steel retainer	resin retainer		dr	D	L
mm	mm	mm	mm	mm	mm	mm	
SMT 6WUU	SMT 6GWUU	SMST 6WUU	SMST 6GWUU	4	6	12	35
SMT 8WUU	SMT 8GWUU	SMST 8WUU	SMST 8GWUU	4	8	15	45
SMT10WUU	SMT10GWUU	SMST10WUU	SMST10GWUU	4	10	19	55
SMT12WUU	SMT12GWUU	SMST12WUU	SMST12GWUU	4	12	21	57
SMT13WUU	SMT13GWUU	SMST13WUU	SMST13GWUU	4	13	23	61
SMT16WUU	SMT16GWUU	SMST16WUU	SMST16GWUU	4	16	28	70
SMT20WUU	SMT20GWUU	SMST20WUU	SMST20GWUU	5	20	32	80
SMT25WUU	SMT25GWUU	SMST25WUU	SMST25GWUU	6	25	40	112
SMT30WUU	SMT30GWUU	SMST30WUU	SMST30GWUU	6	30	45	123

\* Seals-on-both-sides is standard.

Df	W	t	flange			X×Y×Z	eccentricity	perpendicularity	basic load rating		allowable static moment	mass	shaft diameter
			A	F	mm				dynamic C	static Co			
mm	mm	mm	mm	mm	mm	mm	μm	μm	N	N	N·m	g	mm
28	18	5	20	—	3.5×6×3.1	15	15	323	530	2.18	28	6	
32	21	5	24	—	3.5×6×3.1			431	784	4.31	47	8	
40	25	6	29	—	4.5×7.5×4.1			588	1,100	7.24	90	10	
42	27	6	32	—	4.5×7.5×4.1			813	1,570	10.9	102	12	
43	29	6	33	—	4.5×7.5×4.1			813	1,570	11.6	123	13	
48	34	6	31	22	4.5×7.5×4.1	20	20	1,230	2,350	19.7	182	16	
54	38	8	36	24	5.5×9×5.1			1,400	2,740	26.8	247	20	
62	46	8	40	32	5.5×9×5.1			1,560	3,140	43.4	525	25	
74	51	10	49	35	6.6×11×6.1			2,490	5,490	82.8	645	30	

1N ≐ 0.102kgf 1N · m ≐ 0.102kgf · m

# SMFC TYPE

– Center Mount Round Flange Type –

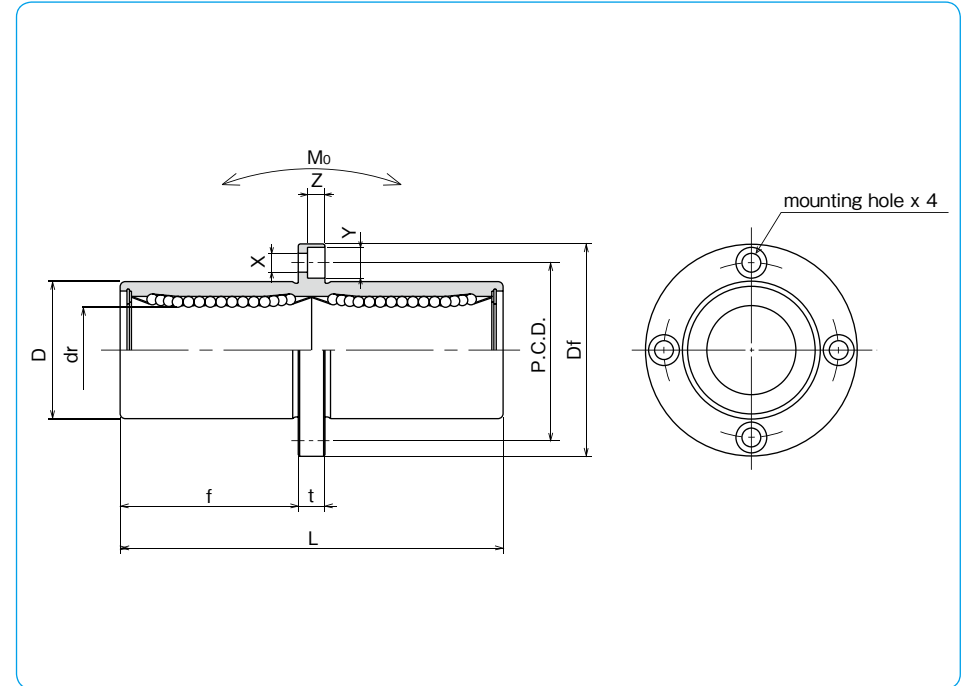


## part number structure

example **SMSFC 25 G UU -SK**

specification <b>SMFC</b> : standard <b>SMSFC</b> : anti-corrosion	outer cylinder surface treatment <b>blank</b> : no surface treatment <b>SK</b> : electroless nickel plating <b>LF</b> : low temperature black chrome treatment with fluoride coating <b>SB</b> : black oxide (not available on anti-corrosion type) <b>SC</b> : industrial chrome plating
inner contact diameter (dr)	seal <b>blank</b> : without seal <b>UU</b> : seals on both sides <b>ZZ</b> : doublelip-seals on both sides
retainer material <b>blank</b> : standard/steel anti-corrosion/stainless steel <b>G</b> : resin	

Doublelip-seal is available for size 6 to 30.



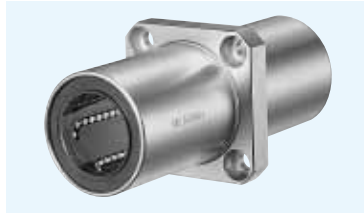
part number				number of ball circuits	dr		major dimensions		
standard steel retainer	anti-corrosion resin retainer	stainless steel retainer	resin retainer		mm	tolerance $\mu\text{m}$	D mm	tolerance $\mu\text{m}$	L $\pm 0.3$ mm
SMFC 6	SMFC 6G	SMSFC 6	SMSFC 6G	4	6	0	12	0	35
SMFC 8	SMFC 8G	SMSFC 8	SMSFC 8G	4	8	0	15	-13	45
SMFC10	SMFC10G	SMSFC10	SMSFC10G	4	10	0	19	0	55
SMFC12	SMFC12G	SMSFC12	SMSFC12G	4	12	-10	21	0	57
SMFC13	SMFC13G	SMSFC13	SMSFC13G	4	13	-10	23	-16	61
SMFC16	SMFC16G	SMSFC16	SMSFC16G	4	16	-10	28	-16	70
SMFC20	SMFC20G	SMSFC20	SMSFC20G	5	20	0	32	0	80
SMFC25	SMFC25G	SMSFC25	SMSFC25G	6	25	-12	40	-19	112
SMFC30	SMFC30G	SMSFC30	SMSFC30G	6	30	-12	45	-19	123
SMFC35	SMFC35G	SMSFC35	SMSFC35G	6	35	0	52	0	135
SMFC40	SMFC40G	SMSFC40	SMSFC40G	6	40	0	60	0	151
SMFC50	SMFC50G	SMSFC50	SMSFC50G	6	50	-15	80	-22	192
SMFC60	SMFC60G	SMSFC60	SMSFC60G	6	60	0/-20	90	0/-25	209

flange					eccentricity $\mu\text{m}$	perpendicularity $\mu\text{m}$	basic load rating		allowable static moment $\text{N}\cdot\text{m}$	mass g	shaft diameter mm
f mm	Df mm	t mm	P.C.D. mm	X×Y×Z mm			dynamic C N	static Co N			
15	28	5	20	3.5×6×3.1	15	15	323	530	2.18	31	6
20	32	5	24	3.5×6×3.1			431	784	4.31	51	8
24.5	40	6	29	4.5×7.5×4.1			588	1,100	7.24	98	10
25.5	42	6	32	4.5×7.5×4.1			813	1,570	10.9	110	12
27.5	43	6	33	4.5×7.5×4.1			813	1,570	11.6	130	13
32	48	6	38	4.5×7.5×4.1			1,230	2,350	19.7	190	16
36	54	8	43	5.5×9×5.1	20	20	1,400	2,740	26.8	260	20
52	62	8	51	5.5×9×5.1			1,560	3,140	43.4	540	25
56.5	74	10	60	6.6×11×6.1			2,490	5,490	82.8	680	30
62.5	82	10	67	6.6×11×6.1			2,650	6,270	110	1,020	35
69	96	13	78	9×14×8.1			3,430	8,040	147	1,570	40
89.5	116	13	98	9×14×8.1			6,080	15,900	397	3,600	50
95.5	134	18	112	11×17×11.1	30	30	7,550	20,000	530	4,500	60

1N  $\approx$  0.102kgf 1N  $\cdot$  m  $\approx$  0.102kgf  $\cdot$  m

# SMKC TYPE

– Center Mount Square Flange Type –



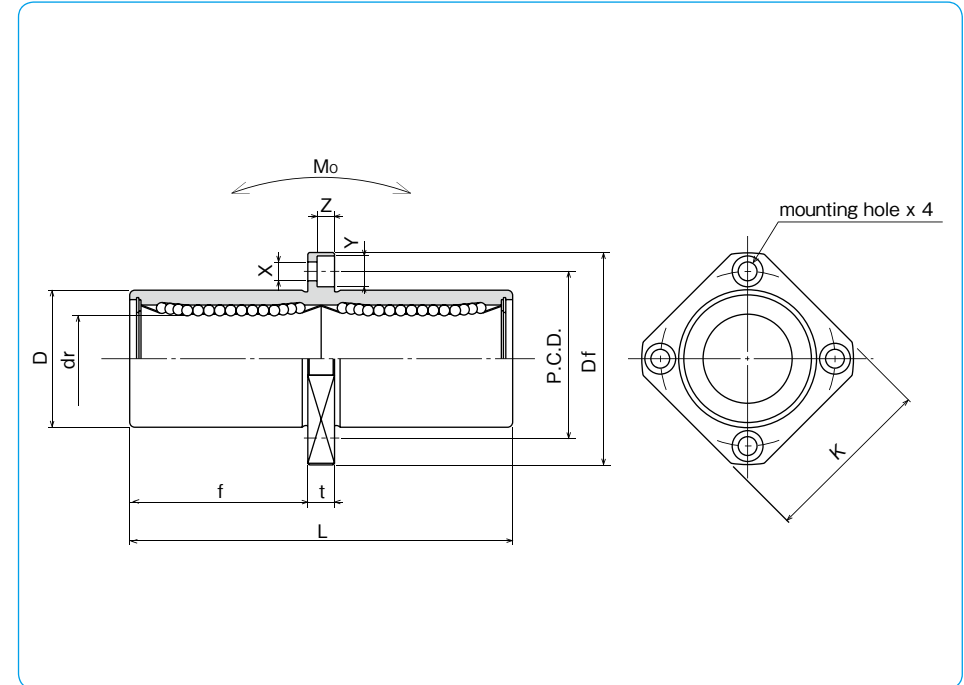
## part number structure

example **SMSKC 25 G UU -SK**

specification <b>SMKC</b> : standard <b>SMSKC</b> : anti-corrosion	outer cylinder surface treatment <b>blank</b> : no surface treatment <b>SK</b> : electroless nickel plating <b>LF</b> : low temperature black chrome treatment with fluoride coating <b>SB</b> : black oxide (not available on anti-corrosion type) <b>SC</b> : industrial chrome plating
inner contact diameter (dr)	seal <b>blank</b> : without seal <b>UU</b> : seals on both sides <b>ZZ</b> : doublelip-seals on both sides
retainer material <b>blank</b> : standard/steel anti-corrosion/stainless steel <b>G</b> : resin	

Doublelip-seal is available for size 6 to 30.

part number				number of ball circuits	major dimensions				
standard steel retainer	anti-corrosion resin retainer	stainless steel retainer	resin retainer		dr mm	tolerance μm	D mm	tolerance μm	L ±0.3 mm
SMKC 6	SMKC 6G	SMSKC 6	SMSKC 6G	4	6		12	0	35
SMKC 8	SMKC 8G	SMSKC 8	SMSKC 8G	4	8		15	-13	45
SMKC10	SMKC10G	SMSKC10	SMSKC10G	4	10	0	19		55
SMKC12	SMKC12G	SMSKC12	SMSKC12G	4	12	-10	21	0	57
SMKC13	SMKC13G	SMSKC13	SMSKC13G	4	13		23	-16	61
SMKC16	SMKC16G	SMSKC16	SMSKC16G	4	16		28		70
SMKC20	SMKC20G	SMSKC20	SMSKC20G	5	20	0	32	0	80
SMKC25	SMKC25G	SMSKC25	SMSKC25G	6	25	-12	40	-19	112
SMKC30	SMKC30G	SMSKC30	SMSKC30G	6	30		45		123
SMKC35	SMKC35G	SMSKC35	SMSKC35G	6	35	0	52	0	135
SMKC40	SMKC40G	SMSKC40	SMSKC40G	6	40	-15	60	-22	151
SMKC50	SMKC50G	SMSKC50	SMSKC50G	6	50		80		192
SMKC60	SMKC60G	SMSKC60	SMSKC60G	6	60	0/-20	90	0/-25	209



f mm	Df mm	flange			P.C.D. mm	X×Y×Z mm	eccentricity μm	perpendicularity μm	basic load rating		allowable static moment Mo N·m	mass g	shaft diameter mm
		K mm	t mm						dynamic C N	static Co N			
15	28	22	5	20	3.5×6×3.1	15	15	323	530	2.18	25	6	
20	32	25	5	24	3.5×6×3.1			431	784	4.31	43	8	
24.5	40	30	6	29	4.5×7.5×4.1			588	1,100	7.24	78	10	
25.5	42	32	6	32	4.5×7.5×4.1			813	1,570	10.9	90	12	
27.5	43	34	6	33	4.5×7.5×4.1			813	1,570	11.6	108	13	
32	48	37	6	38	4.5×7.5×4.1			1,230	2,350	19.7	165	16	
36	54	42	8	43	5.5×9×5.1	20	20	1,400	2,740	26.8	225	20	
52	62	50	8	51	5.5×9×5.1			1,560	3,140	43.4	500	25	
56.5	74	58	10	60	6.6×11×6.1			2,490	5,490	82.8	590	30	
62.5	82	64	10	67	6.6×11×6.1			2,650	6,270	110	930	35	
69	96	75	13	78	9×14×8.1	25	25	3,430	8,040	147	1,380	40	
89.5	116	92	13	98	9×14×8.1			6,080	15,900	397	3,400	50	
95.5	134	106	18	112	11×17×11.1			7,550	20,000	530	4,060	60	

1N ≅ 0.102kgf 1N · m ≅ 0.102kgf · m



# SMTC TYPE

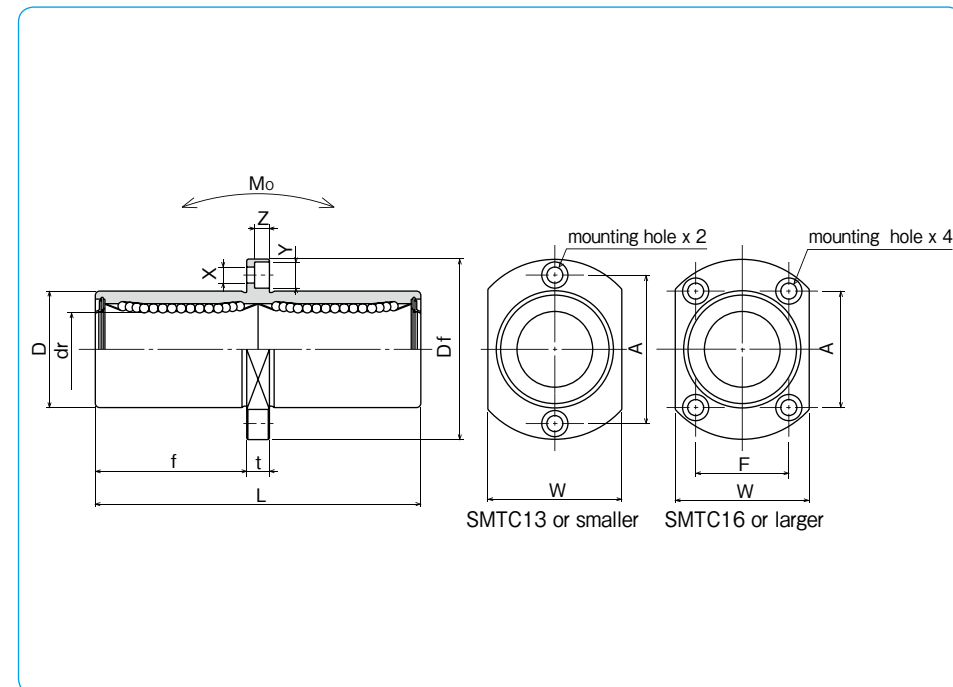
- Two Side Cut Center Flange Type -



## part number structure

example **SMSTC 25 G UU -SK**

specification SMTC: standard SMSTC: anti-corrosion	outer cylinder surface treatment blank: no surface treatment SK: electroless nickel plating LF: low temperature black chrome treatment with fluoride coating SB: black oxide (not available on anti-corrosion type) SC: industrial chrome plating
inner contact diameter (dr)	seal UU: seals on both sides ZZ: doublelip-seals on both sides
retainer material blank: standard/steel anti-corrosion/stainless steel G: resin	



part number*				number of ball circuits	major dimensions			
standard steel retainer	resin retainer	anti-corrosion stainless retainer	resin retainer		dr	D	L	
				mm	tolerance $\mu\text{m}$	mm	tolerance $\mu\text{m}$	$\pm 0.3$ mm
SMTC 6UU	SMTC 6GUU	SMSTC 6UU	SMSTC 6GUU	4	6	12	0	35
SMTC 8UU	SMTC 8GUU	SMSTC 8UU	SMSTC 8GUU	4	8	15	-13	45
SMTC10UU	SMTC10GUU	SMSTC10UU	SMSTC10GUU	4	10	19	0	55
SMTC12UU	SMTC12GUU	SMSTC12UU	SMSTC12GUU	4	12	21	0	57
SMTC13UU	SMTC13GUU	SMSTC13UU	SMSTC13GUU	4	13	23	-16	61
SMTC16UU	SMTC16GUU	SMSTC16UU	SMSTC16GUU	4	16	28		70
SMTC20UU	SMTC20GUU	SMSTC20UU	SMSTC20GUU	5	20	32	0	80
SMTC25UU	SMTC25GUU	SMSTC25UU	SMSTC25GUU	6	25	40	-19	112
SMTC30UU	SMTC30GUU	SMSTC30UU	SMSTC30GUU	6	30	45		123

\* Seals-on-both-sides is standard.

flange							eccentricity $\mu\text{m}$	perpendicularity $\mu\text{m}$	basic load rating		allowable static moment $\text{N} \cdot \text{m}$	mass g	shaft diameter mm
f mm	Df mm	W mm	t mm	A mm	F mm	X×Y×Z mm			dynamic C N	static Co N			
15	28	18	5	20	-	3.5×6×3.1	15	15	323	530	2.18	28	6
20	32	21	5	24	-	3.5×6×3.1			431	784	4.31	47	8
24.5	40	25	6	29	-	4.5×7.5×4.1			588	1,100	7.24	90	10
25.5	42	27	6	32	-	4.5×7.5×4.1			813	1,570	10.9	102	12
27.5	43	29	6	33	-	4.5×7.5×4.1			813	1,570	11.6	123	13
32	48	34	6	31	22	4.5×7.5×4.1	20	20	1,230	2,350	19.7	182	16
36	54	38	8	36	24	5.5×9×5.1			1,400	2,740	26.8	247	20
52	62	46	8	40	32	5.5×9×5.1			1,560	3,140	43.4	525	25
56.5	74	51	10	49	35	6.6×11×6.1			2,490	5,490	82.8	645	30

1N  $\div$  0.102kgf    1N  $\cdot$  m  $\div$  0.102kgf  $\cdot$  m

# SMF-W-E TYPE

— Round Flange Double-Wide Pilot End Type —

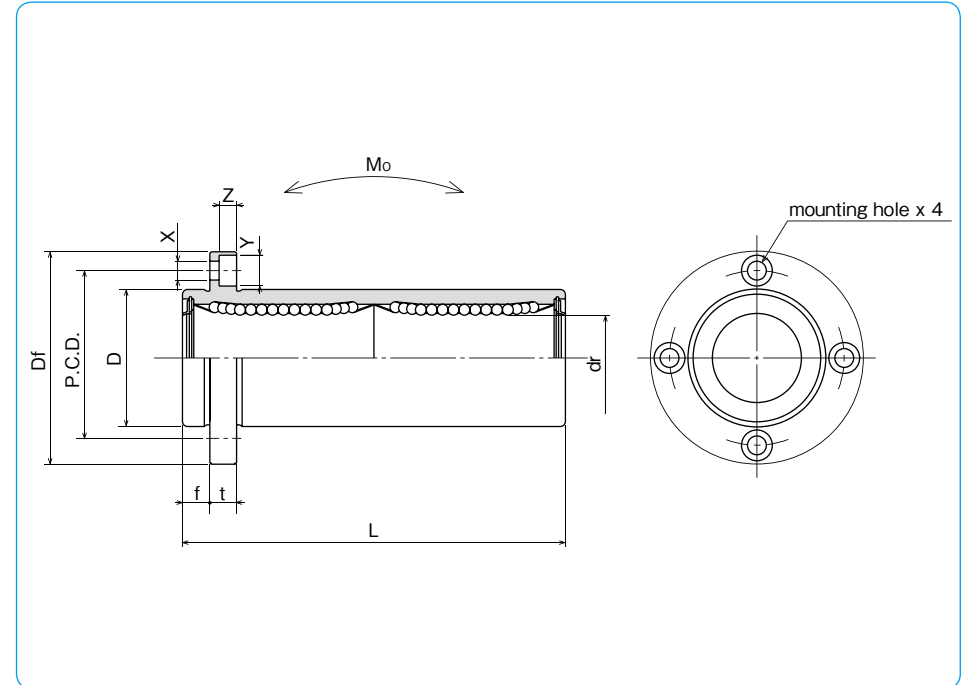


## part number structure

example **SMSF 25 G W UU - E - SK**

specification <b>SMF</b> : standard <b>SMSF</b> : anti-corrosion	outer cylinder surface treatment <b>blank</b> : no surface treatment <b>SK</b> : electroless nickel plating <b>LF</b> : low temperature black chrome treatment with fluoride coating <b>SB</b> : black oxide (not available on anti-corrosion type) <b>SC</b> : industrial chrome plating
inner contact diameter (dr)	with pilot end
retainer material <b>blank</b> : standard/steel anti-corrosion/stainless steel <b>G</b> : resin	seal <b>UU</b> : seals on both sides <b>ZZ</b> : doublelip-seals on both sides
double-wide type	

Doublelip-seal is available for size 6 to 30.



part number*				number of ball circuits	dr		major dimensions		
standard	anti-corrosion	resin retainer	stainless retainer		mm	tolerance $\mu\text{m}$	D	tolerance $\mu\text{m}$	L $\pm 0.3$ mm
SMF 6WUU-E	SMF 6GWUU-E	SMSF 6WUU-E	SMSF 6GWUU-E	4	6	12	0	35	
SMF 8WUU-E	SMF 8GWUU-E	SMSF 8WUU-E	SMSF 8GWUU-E	4	8	15	-13	45	
SMF 10WUU-E	SMF 10GWUU-E	SMSF 10WUU-E	SMSF 10GWUU-E	4	10	19	0	55	
SMF 12WUU-E	SMF 12GWUU-E	SMSF 12WUU-E	SMSF 12GWUU-E	4	12	21	0	57	
SMF 13WUU-E	SMF 13GWUU-E	SMSF 13WUU-E	SMSF 13GWUU-E	4	13	23	-16	61	
SMF 16WUU-E	SMF 16GWUU-E	SMSF 16WUU-E	SMSF 16GWUU-E	4	16	28	0	70	
SMF 20WUU-E	SMF 20GWUU-E	SMSF 20WUU-E	SMSF 20GWUU-E	5	20	32	0	80	
SMF 25WUU-E	SMF 25GWUU-E	SMSF 25WUU-E	SMSF 25GWUU-E	6	25	40	-19	112	
SMF 30WUU-E	SMF 30GWUU-E	SMSF 30WUU-E	SMSF 30GWUU-E	6	30	45	0	123	
SMF 35WUU-E	SMF 35GWUU-E	—	—	6	35	52	0	135	
SMF 40WUU-E	SMF 40GWUU-E	—	—	6	40	60	-22	151	
SMF 50WUU-E	SMF 50GWUU-E	—	—	6	50	80	0	192	
SMF 60WUU-E	SMF 60GWUU-E	—	—	6	60	90	0/-25	209	

\* Seals-on-both-sides is standard.

flange					eccentricity $\mu\text{m}$	perpendicularity $\mu\text{m}$	basic load rating		allowable static moment $\text{N}\cdot\text{m}$	mass g	shaft diameter mm
f mm	Df mm	t mm	P.C.D. mm	X×Y×Z mm			dynamic C N	static Co N			
5	28	5	20	3.5×6×3.1	15	15	323	530	2.18	31	6
5	32	5	24	3.5×6×3.1			431	784	4.31	51	8
6	40	6	29	4.5×7.5×4.1			588	1,100	7.24	98	10
6	42	6	32	4.5×7.5×4.1			813	1,570	10.9	110	12
6	43	6	33	4.5×7.5×4.1			813	1,570	11.6	130	13
6	48	6	38	4.5×7.5×4.1			1,230	2,350	19.7	190	16
8	54	8	43	5.5×9×5.1	20	20	1,400	2,740	26.8	260	20
8	62	8	51	5.5×9×5.1			1,560	3,140	43.4	540	25
10	74	10	60	6.6×11×6.1			2,490	5,490	82.8	680	30
10	82	10	67	6.6×11×6.1			2,650	6,270	110	1,020	35
13	96	13	78	9×14×8.1	25	25	3,430	8,040	147	1,570	40
13	116	13	98	9×14×8.1			6,080	15,900	397	3,600	50
18	134	18	112	11×17×11.1			7,550	20,000	530	4,500	60

1N  $\approx$  0.102kgf 1N  $\cdot$  m  $\approx$  0.102kgf  $\cdot$  m

# SMK-W-E TYPE

— Square Flange Double-Wide Pilot End Type —



## part number structure

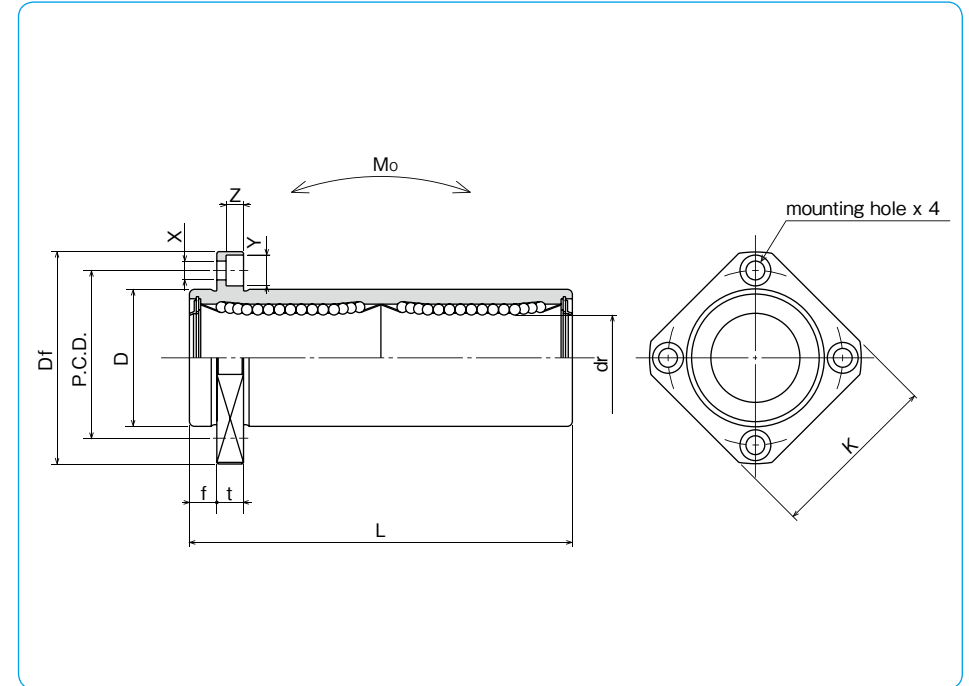
example **SMSK 25 G W UU - E - SK**

specification <b>SMK</b> : standard <b>SMSK</b> : anti-corrosion	outer cylinder surface treatment <b>blank</b> : no surface treatment <b>SK</b> : electroless nickel plating <b>LF</b> : low temperature black chrome treatment with fluoride coating <b>SB</b> : black oxide (not available on anti-corrosion type) <b>SC</b> : industrial chrome plating
inner contact diameter (dr)	with pilot end
retainer material <b>blank</b> : standard/steel anti-corrosion/stainless steel <b>G</b> : resin	seal <b>UU</b> : seals on both sides <b>ZZ</b> : doublelip-seals on both sides
double-wide type	

Doublelip-seal is available for size 6 to 30.

part number*				number of ball circuits	dr mm	dr tolerance μm	major dimensions		
standard steel retainer	standard resin retainer	anti-corrosion stainless retainer	anti-corrosion resin retainer				D mm	D tolerance μm	L ±0.3 mm
SMK 6WUU-E	SMK 6GWUU-E	SMSK 6WUU-E	SMSK 6GWUU-E	4	6	0	12	0	35
SMK 8WUU-E	SMK 8GWUU-E	SMSK 8WUU-E	SMSK 8GWUU-E	4	8	-10	15	-13	45
SMK 10WUU-E	SMK 10GWUU-E	SMSK 10WUU-E	SMSK 10GWUU-E	4	10	0	19	0	55
SMK 12WUU-E	SMK 12GWUU-E	SMSK 12WUU-E	SMSK 12GWUU-E	4	12	-10	21	0	57
SMK 13WUU-E	SMK 13GWUU-E	SMSK 13WUU-E	SMSK 13GWUU-E	4	13	-16	23	-16	61
SMK 16WUU-E	SMK 16GWUU-E	SMSK 16WUU-E	SMSK 16GWUU-E	4	16	-10	28	-16	70
SMK 20WUU-E	SMK 20GWUU-E	SMSK 20WUU-E	SMSK 20GWUU-E	5	20	0	32	0	80
SMK 25WUU-E	SMK 25GWUU-E	SMSK 25WUU-E	SMSK 25GWUU-E	6	25	-12	40	-19	112
SMK 30WUU-E	SMK 30GWUU-E	SMSK 30WUU-E	SMSK 30GWUU-E	6	30	-15	45	-22	123
SMK 35WUU-E	SMK 35GWUU-E	—	—	6	35	0	52	0	135
SMK 40WUU-E	SMK 40GWUU-E	—	—	6	40	0	60	0	151
SMK 50WUU-E	SMK 50GWUU-E	—	—	6	50	-15	80	-22	192
SMK 60WUU-E	SMK 60GWUU-E	—	—	6	60	0/-20	90	0/-25	209

\* Seals-on-both-sides is standard.

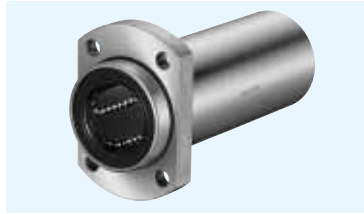


f mm	Df mm	K mm	flange			eccentricity μm	perpendicularity μm	basic load rating		allowable static moment Mo N·m	mass g	shaft diameter mm
			t mm	P.C.D. mm	X×Y×Z mm			dynamic C N	static Co N			
5	28	22	5	20	3.5×6×3.1	15	15	323	530	2.18	25	6
5	32	25	5	24	3.5×6×3.1			431	784	4.31	43	8
6	40	30	6	29	4.5×7.5×4.1			588	1,100	7.24	78	10
6	42	32	6	32	4.5×7.5×4.1			813	1,570	10.9	90	12
6	43	34	6	33	4.5×7.5×4.1			813	1,570	11.6	108	13
6	48	37	6	38	4.5×7.5×4.1			1,230	2,350	19.7	165	16
8	54	42	8	43	5.5×9×5.1	20	20	1,400	2,740	26.8	225	20
8	62	50	8	51	5.5×9×5.1			1,560	3,140	43.4	500	25
10	74	58	10	60	6.6×11×6.1			2,490	5,490	82.8	590	30
10	82	64	10	67	6.6×11×6.1			2,650	6,270	110	930	35
13	96	75	13	78	9×14×8.1	25	25	3,430	8,040	147	1,380	40
13	116	92	13	98	9×14×8.1			6,080	15,900	397	3,400	50
18	134	106	18	112	11×17×11.1			7,550	20,000	530	4,060	60

1N ≅ 0.102kgf 1N · m ≅ 0.102kgf · m

# SMT-W-E TYPE

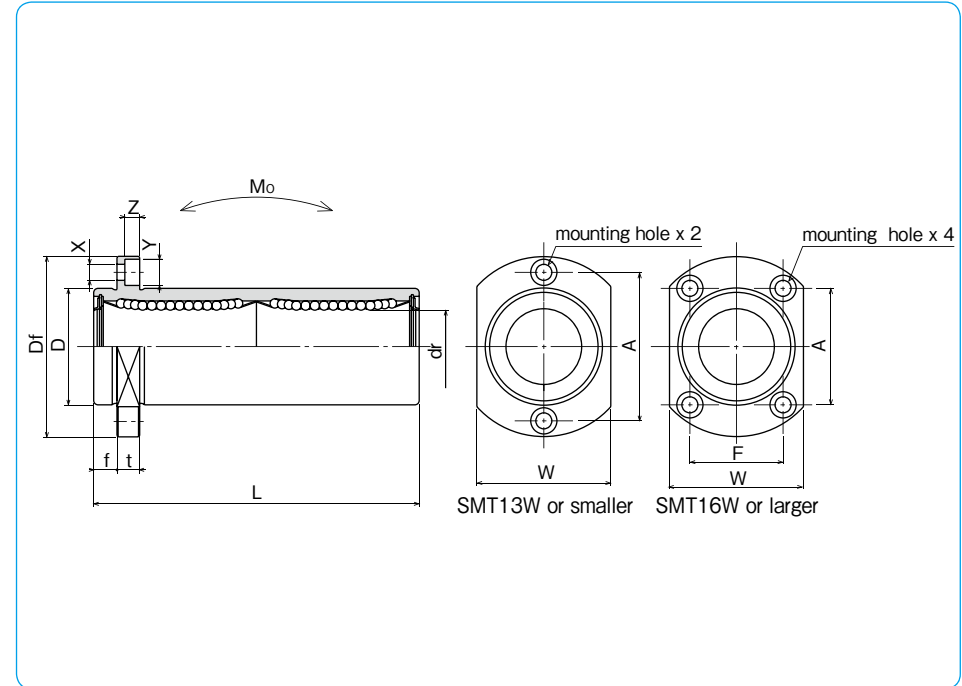
— Two Side Cut Double-Wide Flange Pilot End Type —



## part number structure

example **SMST 25 G W UU - E - SK**

specification <b>SMT:</b> standard <b>SMST:</b> anti-corrosion	outer cylinder surface treatment <b>blank:</b> no surface treatment <b>SK:</b> electroless nickel plating <b>LF:</b> low temperature black chrome treatment with fluoride coating <b>SB:</b> black oxide (not available on anti-corrosion type) <b>SC:</b> industrial chrome plating
inner contact diameter (dr)	with pilot end
retainer material <b>blank:</b> standard/steel anti-corrosion/stainless steel <b>G:</b> resin	seal <b>UU:</b> seals on both sides <b>ZZ:</b> doublelip-seals on both sides
double-wide type	



part number*				number of ball circuits	major dimensions			
standard steel retainer	standard resin retainer	anti-corrosion stainless retainer	anti-corrosion resin retainer		dr	D	L	
				mm	tolerance $\mu\text{m}$	mm	tolerance $\mu\text{m}$	$\pm 0.3$ mm
SMT 6WUU-E	SMT 6GWUU-E	SMST 6WUU-E	SMST 6GWUU-E	4	6	12	0	35
SMT 8WUU-E	SMT 8GWUU-E	SMST 8WUU-E	SMST 8GWUU-E	4	8	15	-13	45
SMT10WUU-E	SMT10GWUU-E	SMST10WUU-E	SMST10GWUU-E	4	10	19	0	55
SMT12WUU-E	SMT12GWUU-E	SMST12WUU-E	SMST12GWUU-E	4	12	21	0	57
SMT13WUU-E	SMT13GWUU-E	SMST13WUU-E	SMST13GWUU-E	4	13	23	-16	61
SMT16WUU-E	SMT16GWUU-E	SMST16WUU-E	SMST16GWUU-E	4	16	28		70
SMT20WUU-E	SMT20GWUU-E	SMST20WUU-E	SMST20GWUU-E	5	20	32	0	80
SMT25WUU-E	SMT25GWUU-E	SMST25WUU-E	SMST25GWUU-E	6	25	40	-19	112
SMT30WUU-E	SMT30GWUU-E	SMST30WUU-E	SMST30GWUU-E	6	30	45		123

\* Seals-on-both-sides is standard.

flange							eccentricity $\mu\text{m}$	perpendicularity $\mu\text{m}$	basic load rating		allowable static moment $\text{N} \cdot \text{m}$	mass g	shaft diameter mm
f mm	Df mm	W mm	t mm	A mm	F mm	X×Y×Z mm			dynamic C N	static Co N			
5	28	18	5	20	—	3.5×6×3.1	15	15	323	530	2.18	28	6
5	32	21	5	24	—	3.5×6×3.1			431	784	4.31	47	8
6	40	25	6	29	—	4.5×7.5×4.1			588	1,100	7.24	90	10
6	42	27	6	32	—	4.5×7.5×4.1			813	1,570	10.9	102	12
6	43	29	6	33	—	4.5×7.5×4.1			813	1,570	11.6	123	13
6	48	34	6	31	22	4.5×7.5×4.1			1,230	2,350	19.7	182	16
8	54	38	8	36	24	5.5×9×5.1	20	20	1,400	2,740	26.8	247	20
8	62	46	8	40	32	5.5×9×5.1			1,560	3,140	43.4	525	25
10	74	51	10	49	35	6.6×11×6.1			2,490	5,490	82.8	645	30

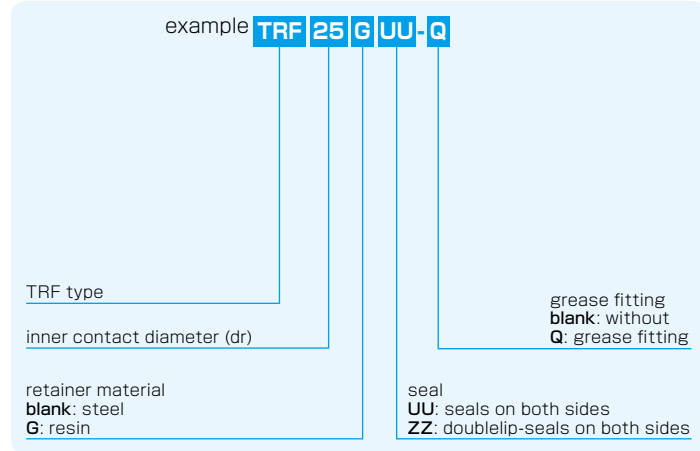
1N  $\approx$  0.102kgf 1N  $\cdot$  m  $\approx$  0.102kgf  $\cdot$  m

# TRF TYPE

– Triple-Wide Round Flange Type –



## part number structure



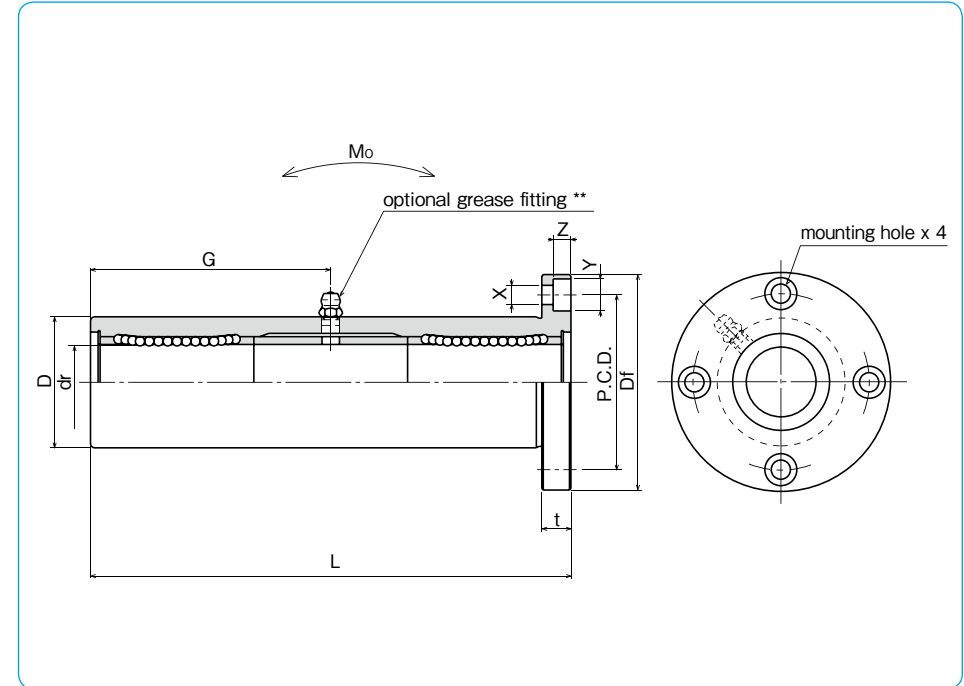
Doublelip-seal is available for size 6 to 30.

part number*		number of ball circuits	dr		major dimensions		
steel retainer	resin retainer		mm	tolerance $\mu\text{m}$	D	tolerance $\mu\text{m}$	L $\pm 0.3$ mm
TRF 6UU	TRF 6GUU	4	6		15	0/-18	51
TRF 8UU	TRF 8GUU	4	8	0	19		66
TRF10UU	TRF10GUU	4	10	-12	23	0	80
TRF12UU	TRF12GUU	4	12		26	-21	84
TRF13UU	TRF13GUU	4	13	0	28		90
TRF16UU	TRF16GUU	4	16	-15	32	0	103
TRF20UU	TRF20GUU	5	20		40	-25	118
TRF25UU	TRF25GUU	6	25	0	45		165
TRF30UU	TRF30GUU	6	30	-18	52	0	182
TRF35UU	TRF35GUU	6	35		60	-30	200
TRF40UU	TRF40GUU	6	40	0	65		230
TRF50UU	TRF50GUU	6	50	-21	85	0	290
TRF60UU	TRF60GUU	6	60	0/-25	100	-35	310

Outer cylinder is treated with electroless nickel plating.

\* Seals-on-both-sides is standard.

\*\* TRF6: A-MT6x1 TRF8: A-M6x1 TRF10~30: A-M6F TRF35~60: A-R1/8

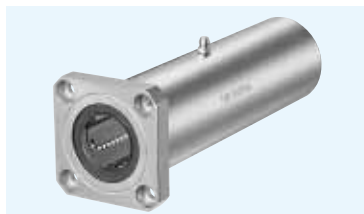


Df mm	t mm	flange P.C.D. mm	X × Y × Z mm	grease fitting G mm	eccentricity $\mu\text{m}$	perpendicularity $\mu\text{m}$	basic load rating		allowable static moment $\text{N} \cdot \text{m}$	mass g	shaft diameter mm
							dynamic C N	static Co N			
32	5	24	3.5 × 6 × 3.1	20.5	20	20	323	530	8.2	66	6
40	6	29	4.5 × 7.5 × 4.1	29			431	784	16.0	135	8
43	6	33	4.5 × 7.5 × 4.1	38			588	1,100	27.0	205	10
46	6	36	4.5 × 7.5 × 4.1	41			813	1,570	40.1	248	12
48	6	38	4.5 × 7.5 × 4.1	45			813	1,570	42.9	308	13
54	8	43	5.5 × 9 × 5.1	51	25	25	1,230	2,350	73.5	412	16
62	8	51	5.5 × 9 × 5.1	59			1,400	2,740	98.0	752	20
74	10	60	6.6 × 11 × 6.1	82.5			1,560	3,140	157	1,244	25
82	10	67	6.6 × 11 × 6.1	91			2,490	5,490	297	1,636	30
96	13	78	9 × 14 × 8.1	100			2,650	6,270	373	2,580	35
101	13	83	9 × 14 × 8.1	115	30	30	3,430	8,040	553	2,950	40
129	18	107	11 × 17 × 11.1	145			6,080	15,900	1,370	6,860	50
144	18	122	11 × 17 × 11.1	155			7,550	20,000	1,800	9,660	60

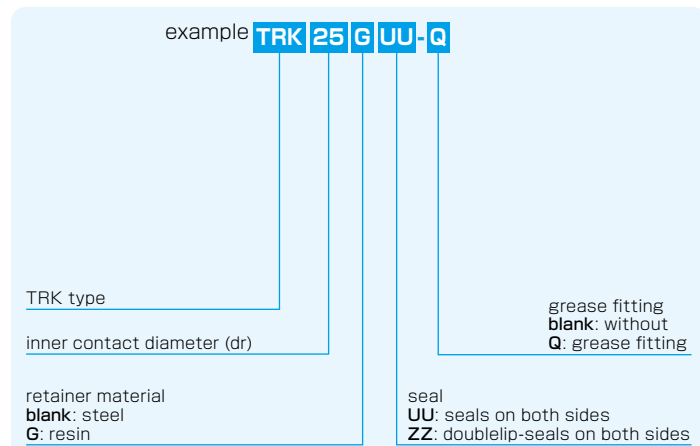
1N  $\approx$  0.102kgf 1N · m  $\approx$  0.102kgf · m

# TRK TYPE

– Triple-Wide Square Flange Type –



## part number structure



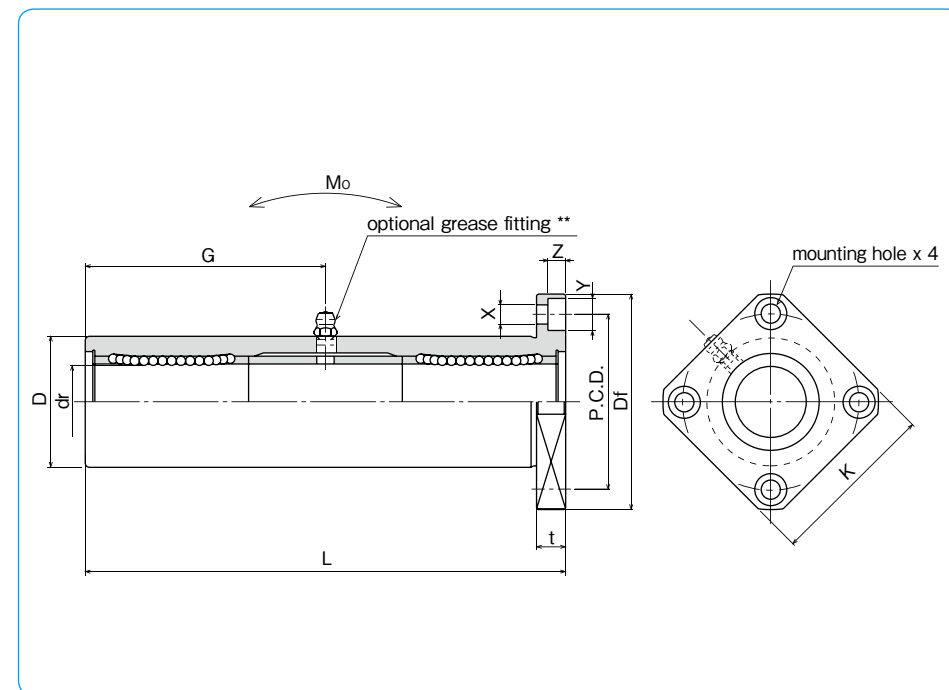
Doublelip-seal is available for size 6 to 30.

part number*		number of ball circuits	dr		major dimensions		
steel retainer	resin retainer		mm	tolerance $\mu\text{m}$	D	tolerance $\mu\text{m}$	L $\pm 0.3$ mm
TRK 6UU	TRK 6GUU	4	6		15	0/-18	51
TRK 8UU	TRK 8GUU	4	8	0	19		66
TRK 10UU	TRK 10GUU	4	10	-12	23	0	80
TRK 12UU	TRK 12GUU	4	12		26	-21	84
TRK 13UU	TRK 13GUU	4	13	0	28		90
TRK 16UU	TRK 16GUU	4	16	-15	32		103
TRK 20UU	TRK 20GUU	5	20		40	0	118
TRK 25UU	TRK 25GUU	6	25	0	45	-25	165
TRK 30UU	TRK 30GUU	6	30	-18	52		182
TRK 35UU	TRK 35GUU	6	35		60	0	200
TRK 40UU	TRK 40GUU	6	40	0	65	-30	230
TRK 50UU	TRK 50GUU	6	50	-21	85	0	290
TRK 60UU	TRK 60GUU	6	60	0/-25	100	-35	310

Outer cylinder is treated with electroless nickel plating.

\* Seals-on-both-sides is standard.

\*\* TRK6: A-MT6x1 TRK8: A-M6x1 TRK10~30: A-M6F TRK35~60: A-R1/8



Df mm	K mm	flange			grease fitting G mm	eccentricity $\mu\text{m}$	perpendicularity $\mu\text{m}$	basic load rating		allowable static moment Mo N·m	mass g	shaft diameter mm
		t mm	P.C.D. mm	X×Y×Z mm				dynamic C N	static Co N			
32	25	5	24	3.5×6×3.1	20.5	20	20	323	530	8.2	58	6
40	30	6	29	4.5×7.5×4.1	29			431	784	16.0	117	8
43	34	6	33	4.5×7.5×4.1	38			588	1,100	27.0	189	10
46	35	6	36	4.5×7.5×4.1	41			813	1,570	40.1	228	12
48	37	6	38	4.5×7.5×4.1	45			813	1,570	42.9	286	13
54	42	8	43	5.5×9×5.1	51	25	25	1,230	2,350	73.5	376	16
62	50	8	51	5.5×9×5.1	59			1,400	2,740	98.0	714	20
74	58	10	60	6.6×11×6.1	82.5			1,560	3,140	157	1,163	25
82	64	10	67	6.6×11×6.1	91			2,490	5,490	297	1,543	30
96	75	13	78	9×14×8.1	100			2,650	6,270	373	2,400	35
101	80	13	83	9×14×8.1	115	30	30	3,430	8,040	553	2,510	40
129	100	18	107	11×17×11.1	145			6,080	15,900	1,370	6,400	50
144	116	18	122	11×17×11.1	155			7,550	20,000	1,800	9,200	60

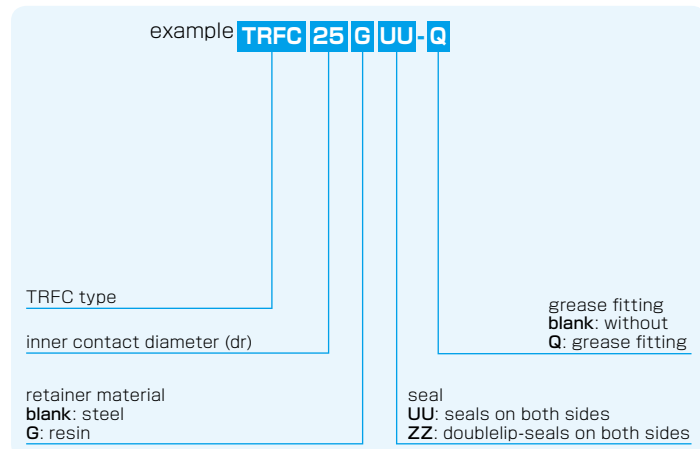
1N  $\approx$  0.102kgf 1N · m  $\approx$  0.102kgf · m

# TRFC TYPE

— Triple-Wide Intermediate Position Round Flange Type —



## part number structure



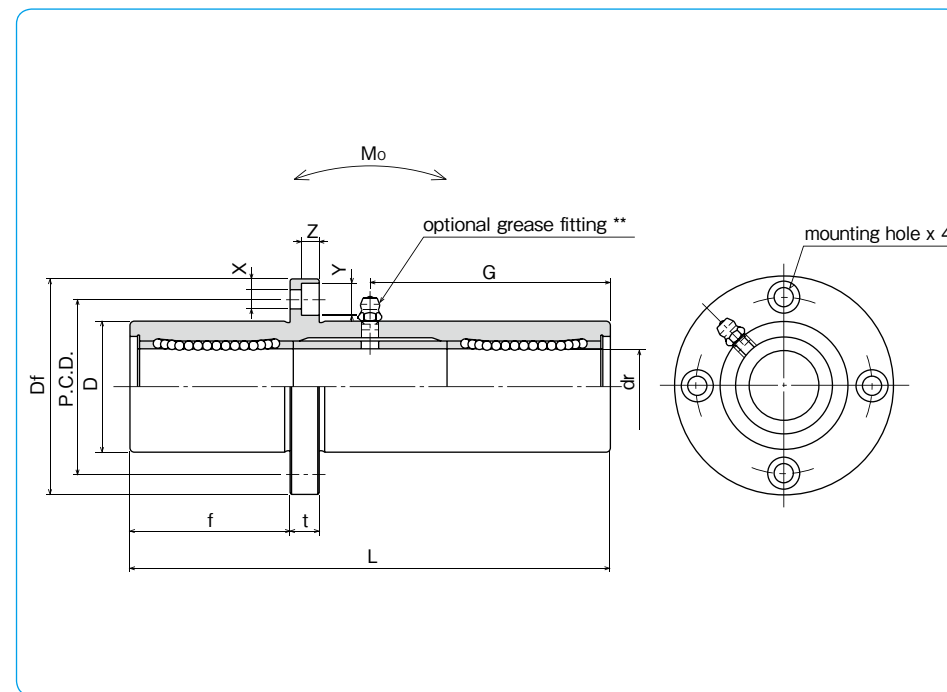
Doublelip-seal is available for size 6 to 30.

part number*		number of ball circuits	dr		major dimensions		
steel retainer	resin retainer		mm	tolerance $\mu\text{m}$	D	tolerance $\mu\text{m}$	L $\pm 0.3$ mm
TRFC 6UU	TRFC 6GUU	4	6	0	15	0/-18	51
TRFC 8UU	TRFC 8GUU	4	8	-12	19		66
TRFC10UU	TRFC10GUU	4	10		23	0	80
TRFC12UU	TRFC12GUU	4	12	0	26	-21	84
TRFC13UU	TRFC13GUU	4	13	-15	28		90
TRFC16UU	TRFC16GUU	4	16		32	0	103
TRFC20UU	TRFC20GUU	5	20	0	40	-25	118
TRFC25UU	TRFC25GUU	6	25	-18	45		165
TRFC30UU	TRFC30GUU	6	30		52	0	182
TRFC35UU	TRFC35GUU	6	35	0	60	-30	200
TRFC40UU	TRFC40GUU	6	40	-21	65		230
TRFC50UU	TRFC50GUU	6	50		85	0	290
TRFC60UU	TRFC60GUU	6	60	0/-25	100	-35	310

Outer cylinder is treated with electroless nickel plating.

\* Seals-on-both-sides is standard.

\*\* TRFC6: A-MT6x1 TRFC8: A-M6x1 TRFC10~30: A-M6F TRFC35~60: A-R1/8

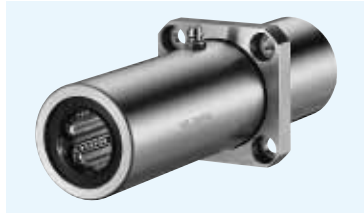


f mm	Df mm	flange			grease fitting G mm	eccentricity $\mu\text{m}$	perpendicularity $\mu\text{m}$	basic load rating		allowable static moment $M_o$ N·m	mass g	shaft diameter mm
		t mm	P.C.D. mm	X×Y×Z mm				dynamic C N	static Co N			
17	32	5	24	3.5×6×3.1	20.5	20	20	323	530	8.2	66	6
22	40	6	29	4.5×7.5×4.1	29			431	784	16.0	135	8
27	43	6	33	4.5×7.5×4.1	38			588	1,100	27.0	205	10
28	46	6	36	4.5×7.5×4.1	41			813	1,570	40.1	248	12
30	48	6	38	4.5×7.5×4.1	45			813	1,570	42.9	308	13
35	54	8	43	5.5×9×5.1	51	25	25	1,230	2,350	73.5	412	16
40	62	8	51	5.5×9×5.1	59			1,400	2,740	98.0	752	20
55	74	10	60	6.6×11×6.1	82.5			1,560	3,140	157	1,244	25
61	82	10	67	6.6×11×6.1	91			2,490	5,490	297	1,636	30
67	96	13	78	9×14×8.1	100			2,650	6,270	373	2,580	35
77	101	13	83	9×14×8.1	115	30	30	3,430	8,040	553	2,950	40
97	129	18	107	11×17×11.1	145			6,080	15,900	1,370	6,860	50
104	144	18	122	11×17×11.1	155			7,550	20,000	1,800	9,660	60

1N  $\approx$  0.102kgf 1N·m  $\approx$  0.102kgf·m

# TRKC TYPE

— Triple-Wide Intermediate Position Square Flange Type —



## part number structure

example **TRKC 25 G UU-Q**

TRKC type

inner contact diameter (dr)

retainer material  
blank: steel  
G: resin

grease fitting  
blank: without  
Q: grease fitting

seal  
UU: sea on both sides  
ZZ: doublelip-seals on both sides

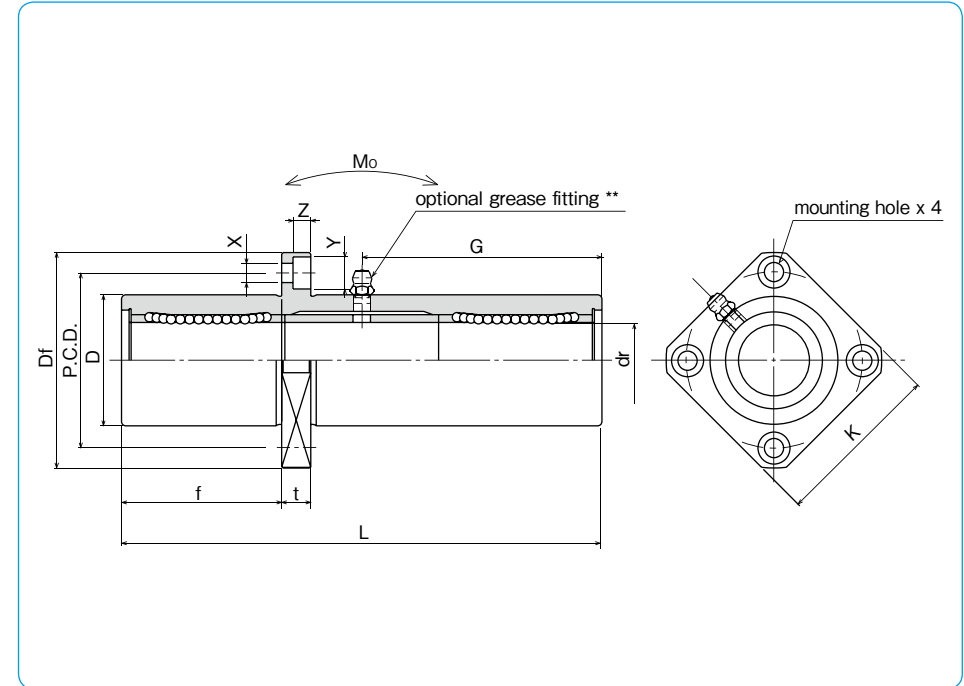
Doublelip-seal is available for size 6 to 30.

part number*		number of ball circuits	dr		major dimensions		
steel retainer	resin retainer		mm	tolerance $\mu\text{m}$	D	tolerance $\mu\text{m}$	L $\pm 0.3$ mm
TRKC 6UU	TRKC 6GUU	4	6		15	0/-18	51
TRKC 8UU	TRKC 8GUU	4	8	0	19		66
TRKC 10UU	TRKC 10GUU	4	10	-12	23	0	80
TRKC 12UU	TRKC 12GUU	4	12		26	-21	84
TRKC 13UU	TRKC 13GUU	4	13	0	28		90
TRKC 16UU	TRKC 16GUU	4	16	-15	32		103
TRKC 20UU	TRKC 20GUU	5	20		40	0	118
TRKC 25UU	TRKC 25GUU	6	25	0	45	-25	165
TRKC 30UU	TRKC 30GUU	6	30	-18	52		182
TRKC 35UU	TRKC 35GUU	6	35		60	0	200
TRKC 40UU	TRKC 40GUU	6	40	0	65	-30	230
TRKC 50UU	TRKC 50GUU	6	50	-21	85	0	290
TRKC 60UU	TRKC 60GUU	6	60	0/-25	100	-35	310

Outer cylinder is treated with electroless nickel plating.

\* Seals-on-both-sides is standard.

\*\* TRKC6: A-MT6x1 TRKC8: A-M6x1 TRKC10~30: A-M6F TRKC35~60: A-R1/8



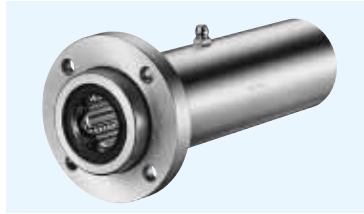
f	Df	flange			P.C.D.	X×Y×Z	grease fitting G	eccentricity	perpendicularity	basic load rating		allowable static moment Mo	mass	shaft diameter
		K	t	mm						C	Co			
17	32	25	5	24	3.5×6×3.1	20.5			323	530	8.2	58	6	
22	40	30	6	29	4.5×7.5×4.1	29			431	784	16.0	117	8	
27	43	34	6	33	4.5×7.5×4.1	38	20	20	588	1,100	27.0	189	10	
28	46	35	6	36	4.5×7.5×4.1	41			813	1,570	40.1	228	12	
30	48	37	6	38	4.5×7.5×4.1	45			813	1,570	42.9	286	13	
35	54	42	8	43	5.5×9×5.1	51			1,230	2,350	73.5	376	16	
40	62	50	8	51	5.5×9×5.1	59	25	25	1,400	2,740	98.0	714	20	
55	74	58	10	60	6.6×11×6.1	82.5			1,560	3,140	157	1,163	25	
61	82	64	10	67	6.6×11×6.1	91			2,490	5,490	297	1,543	30	
67	96	75	13	78	9×14×8.1	100	30	30	2,650	6,270	373	2,400	35	
77	101	80	13	83	9×14×8.1	115			3,430	8,040	553	2,510	40	
97	129	100	18	107	11×17×11.1	145			6,080	15,900	1,370	6,400	50	
104	144	116	18	122	11×17×11.1	155			7,550	20,000	1,800	9,200	60	

1N  $\approx$  0.102kgf 1N · m  $\approx$  0.102kgf · m

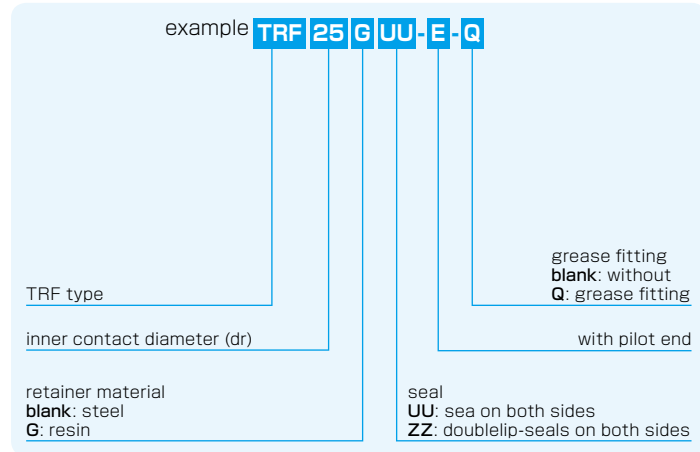


# TRF-E TYPE

– Triple-Wide Round Flange Pilot End Type –



## part number structure



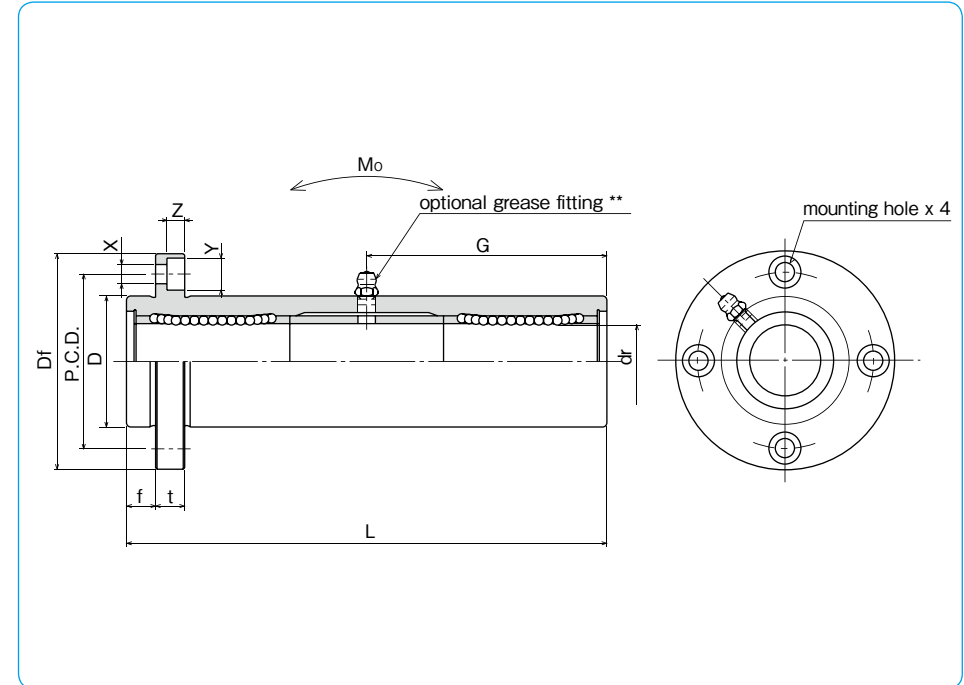
Doublelip-seal is available for size 6 to 30.

part number*		number of ball circuits	dr		major dimensions		
steel retainer	resin retainer		mm	tolerance $\mu\text{m}$	D	tolerance $\mu\text{m}$	L $\pm 0.3$ mm
TRF 6UU-E	TRF 6GUU-E	4	6	0	15	0/-18	51
TRF 8UU-E	TRF 8GUU-E	4	8	-12	19		66
TRF 10UU-E	TRF 10GUU-E	4	10		23	0	80
TRF 12UU-E	TRF 12GUU-E	4	12		26	-21	84
TRF 13UU-E	TRF 13GUU-E	4	13	0	28		90
TRF 16UU-E	TRF 16GUU-E	4	16	-15	32		103
TRF 20UU-E	TRF 20GUU-E	5	20		40	0	118
TRF 25UU-E	TRF 25GUU-E	6	25	0	45	-25	165
TRF 30UU-E	TRF 30GUU-E	6	30	-18	52		182
TRF 35UU-E	TRF 35GUU-E	6	35		60	0	200
TRF 40UU-E	TRF 40GUU-E	6	40	0	65	-30	230
TRF 50UU-E	TRF 50GUU-E	6	50	-21	85	0	290
TRF 60UU-E	TRF 60GUU-E	6	60	0/-25	100	-35	310

Outer cylinder is treated with electroless nickel plating.

\* Seals-on-both-sides is standard.

\*\* TRF6: A-MT6x1 TRF8: A-M6x1 TRF10~30: A-M6F TRF35~60: A-R1/8

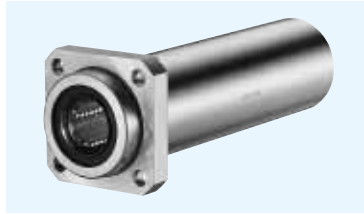


f mm	Df mm	flange			grease fitting G mm	eccentricity $\mu\text{m}$	perpendicularity $\mu\text{m}$	basic load rating		allowable static moment Mo N·m	mass g	shaft diameter mm
		t mm	P.C.D. mm	X×Y×Z mm				dynamic C N	static Co N			
5	32	5	24	3.5×6×3.1	20.5	20	20	323	530	8.2	66	6
6	40	6	29	4.5×7.5×4.1	29			431	784	16.0	135	8
6	43	6	33	4.5×7.5×4.1	38			588	1,100	27.0	205	10
6	46	6	36	4.5×7.5×4.1	41			813	1,570	40.1	248	12
6	48	6	38	4.5×7.5×4.1	45	25	25	813	1,570	42.9	308	13
8	54	8	43	5.5×9×5.1	51			1,230	2,350	73.5	412	16
8	62	8	51	5.5×9×5.1	59			1,400	2,740	98.0	752	20
10	74	10	60	6.6×11×6.1	82.5			1,560	3,140	157	1,244	25
10	82	10	67	6.6×11×6.1	91	30	30	2,490	5,490	297	1,636	30
13	96	13	78	9×14×8.1	100			2,650	6,270	373	2,580	35
13	101	13	83	9×14×8.1	115			3,430	8,040	553	2,950	40
18	129	18	107	11×17×11.1	145			6,080	15,900	1,370	6,860	50
18	144	18	122	11×17×11.1	155			7,550	20,000	1,800	9,660	60

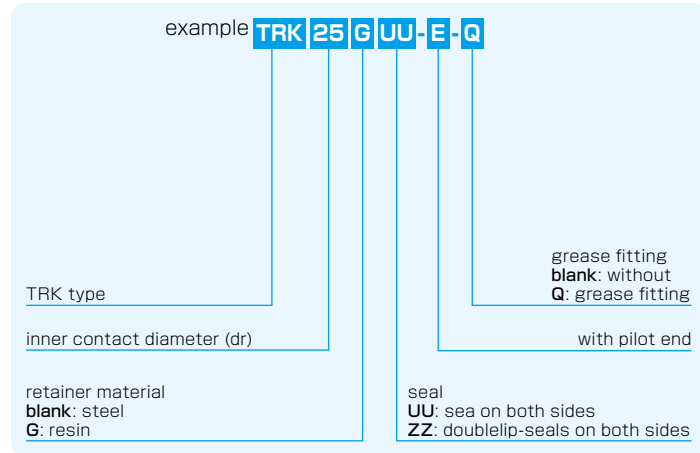
1N  $\approx$  0.102kgf 1N·m  $\approx$  0.102kgf·m

# TRK-E TYPE

– Triple-Wide Square Flange Pilot End Type –



## part number structure



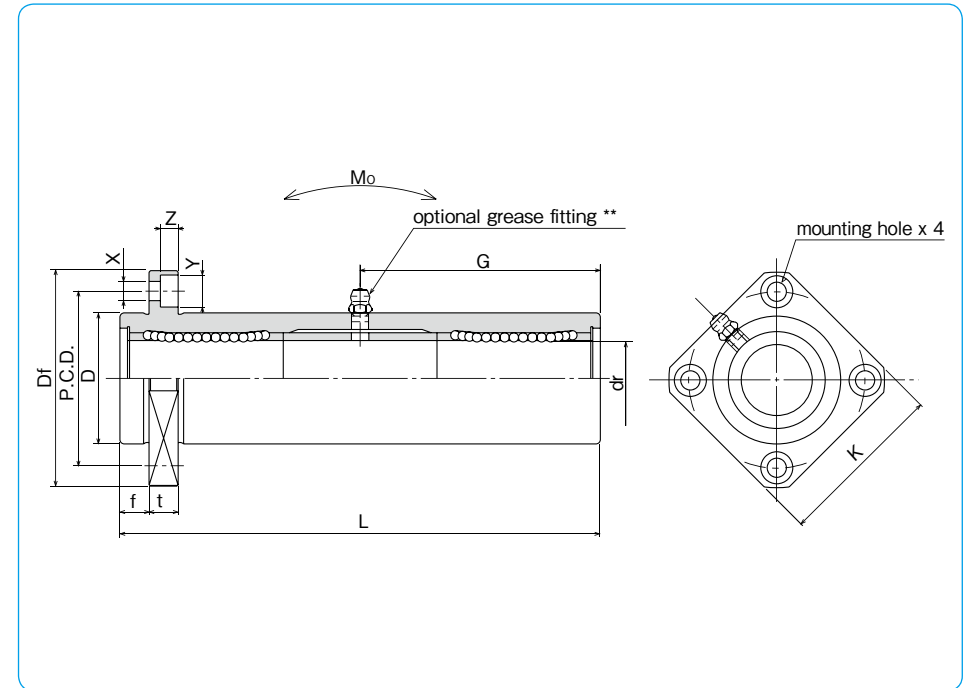
Doublelip-seal is available for size 6 to 30.

part number*		number of ball circuits	dr		major dimensions		
steel retainer	resin retainer		mm	tolerance $\mu\text{m}$	D	tolerance $\mu\text{m}$	L $\pm 0.3$ mm
TRK 6UU-E	TRK 6GUU-E	4	6	0	15	0/-18	51
TRK 8UU-E	TRK 8GUU-E	4	8	-12	19	0	66
TRK 10UU-E	TRK 10GUU-E	4	10	0	23	-21	80
TRK 12UU-E	TRK 12GUU-E	4	12	-15	26	0	84
TRK 13UU-E	TRK 13GUU-E	4	13	0	28	-25	90
TRK 16UU-E	TRK 16GUU-E	4	16	-18	32	0	103
TRK 20UU-E	TRK 20GUU-E	5	20	0	40	-30	118
TRK 25UU-E	TRK 25GUU-E	6	25	-18	45	0	165
TRK 30UU-E	TRK 30GUU-E	6	30	0	52	-30	182
TRK 35UU-E	TRK 35GUU-E	6	35	-21	60	0	200
TRK 40UU-E	TRK 40GUU-E	6	40	0	65	-35	230
TRK 50UU-E	TRK 50GUU-E	6	50	-21	85	0	290
TRK 60UU-E	TRK 60GUU-E	6	60	0/-25	100	-35	310

Outer cylinder is treated with electroless nickel plating.

\* Seals-on-both-sides is standard.

\*\* TRK6: A-MT6x1 TRK8: A-M6x1 TRK10~30: A-M6F TRK35~60: A-R1/8



f mm	Df mm	flange			P.C.D. mm	X×Y×Z mm	grease fitting G mm	eccentricity $\mu\text{m}$	perpendicularity $\mu\text{m}$	basic load rating		allowable static moment $M_o$ N·m	mass g	shaft diameter mm
		K mm	t mm	C N						Co N				
5	32	25	5	24	3.5×6×3.1	20.5	20	20	323	530	8.2	58	6	
6	40	30	6	29	4.5×7.5×4.1	29			431	784	16.0	117	8	
6	43	34	6	33	4.5×7.5×4.1	38			588	1,100	27.0	189	10	
6	46	35	6	36	4.5×7.5×4.1	41			813	1,570	40.1	228	12	
6	48	37	6	38	4.5×7.5×4.1	45	25	25	813	1,570	42.9	286	13	
8	54	42	8	43	5.5×9×5.1	51			1,230	2,350	73.5	376	16	
8	62	50	8	51	5.5×9×5.1	59			1,400	2,740	98.0	714	20	
10	74	58	10	60	6.6×11×6.1	82.5			1,560	3,140	157	1,163	25	
10	82	64	10	67	6.6×11×6.1	91	30	30	2,490	5,490	297	1,543	30	
13	96	75	13	78	9×14×8.1	100			2,650	6,270	373	2,400	35	
13	101	80	13	83	9×14×8.1	115			3,430	8,040	553	2,510	40	
18	129	100	18	107	11×17×11.1	145			6,080	15,900	1,370	6,400	50	
18	144	116	18	122	11×17×11.1	155	7,550	20,000	1,800	9,200	60			

1N  $\approx$  0.102kgf 1N·m  $\approx$  0.102kgf·m

# KB TYPE (Euro Standard)

– Standard Type –



### part number structure

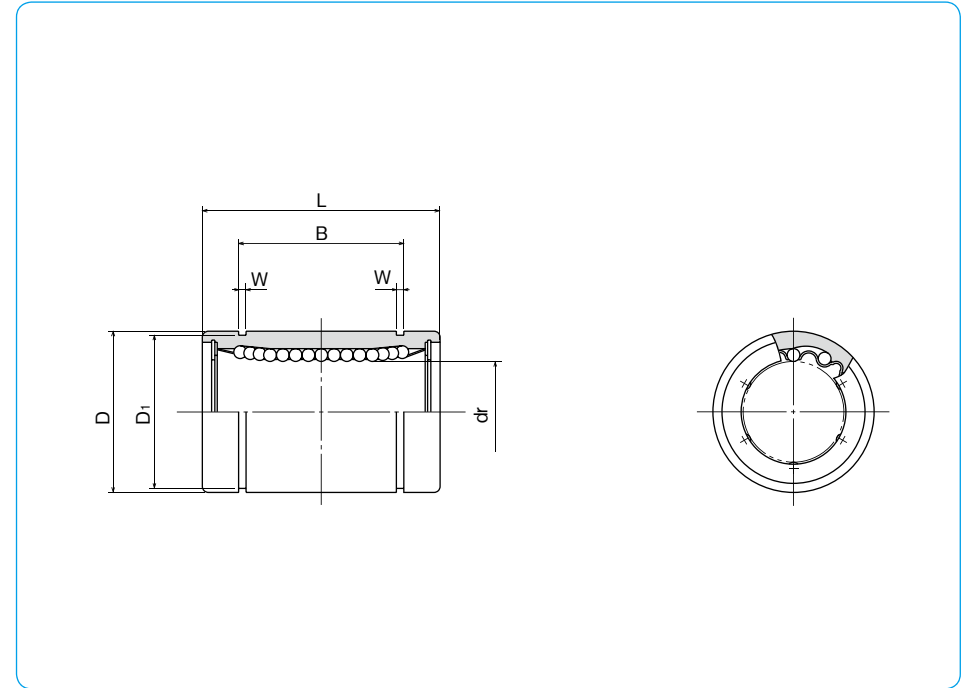
example **KBS 25 G UU**

specification  
**KB:** standard  
**KBS:** anti-corrosion

inner contact diameter (dr)

retainer material  
**blank:** standard/steel  
 anti-corrosion/stainless steel  
**G:** resin

seal  
**blank:** without seal  
**U:** seal on one side  
**UU:** seals on both sides



part number				number of ball circuits	dr		major dimensions	
standard steel retainer	resin retainer	anti-corrosion stainless retainer	resin retainer		mm	tolerance $\mu\text{m}$	mm	tolerance $\mu\text{m}$
<b>KB 3</b>	<b>KB 3G</b>	<b>KBS 3</b>	<b>KBS 3G</b>	4	3		7	
<b>KB 4</b>	<b>KB 4G</b>	<b>KBS 4</b>	<b>KBS 4G</b>	4	4		8	0
<b>KB 5</b>	<b>KB 5G</b>	<b>KBS 5</b>	<b>KBS 5G</b>	4	5	+ 8	12	- 8
<b>KB 8</b>	<b>KB 8G</b>	<b>KBS 8</b>	<b>KBS 8G</b>	4	8	0	16	
<b>KB10</b>	<b>KB10G</b>	<b>KBS10</b>	<b>KBS10G</b>	4	10		19	0
<b>KB12</b>	<b>KB12G</b>	<b>KBS12</b>	<b>KBS12G</b>	4	12		22	- 9
<b>KB16</b>	<b>KB16G</b>	<b>KBS16</b>	<b>KBS16G</b>	4	16	+ 9	26	
<b>KB20</b>	<b>KB20G</b>	<b>KBS20</b>	<b>KBS20G</b>	5	20	- 1	32	0
<b>KB25</b>	<b>KB25G</b>	<b>KBS25</b>	<b>KBS25G</b>	6	25	+11	40	-11
<b>KB30</b>	<b>KB30G</b>	<b>KBS30</b>	<b>KBS30G</b>	6	30	- 1	47	
<b>KB40</b>	<b>KB40G</b>	<b>KBS40</b>	<b>KBS40G</b>	6	40	+13	62	0
<b>KB50</b>	<b>KB50G</b>	<b>KBS50</b>	<b>KBS50G</b>	6	50	- 2	75	-13
<b>KB60</b>	<b>KB60G</b>	<b>KBS60</b>	<b>KBS60G</b>	6	60		90	0
<b>KB80</b>	—	—	—	6	80	+16/-4	120	-15

mm	L	mm	B	mm	mm	mm	eccentricity $\mu\text{m}$	radial clearance (maximum) $\mu\text{m}$	basic load rating		mass g	shaft diameter mm
	tolerance mm		tolerance mm						dynamic C N	static Co N		
10	0	—	—	—	—	—	10	- 3	69	105	1.4	3
12	-0.12	—	—	—	—	—	12		88	127	2	4
22	0	14.5	0	1.1	11.5	12	206		265	11	5	
25		16.5		1.1	15.2		265	402	22	8		
29		22		1.3	18		372	549	36	10		
32		-0.2		22.9	-0.2		1.3	21	510	784	45	12
36		24.9		1.3	24.9		578	892	60	16		
45	0	31.5	0	1.6	30.3	15	- 6	862	1,370	102	20	
58		44.1		1.85	37.5			980	1,570	235	25	
68		52.1		0	44.5			1,570	2,740	360	30	
80	-0.3	60.6	-0.3	2.15	59	17	- 8	2,160	4,020	770	40	
100	77.6	2.65	72	3,820	7,940			1,250	50			
125	0	101.7	0	3.15	86.5	20	-13	4,700	9,800	2,220	60	
165	-0.4	133.7	-0.4	4.15	116			-20	7,350	16,000	5,140	80

1N=0.102kgf

# KB-AJ TYPE (Euro Standard)

– Clearance Adjustable Type –



### part number structure

example **KBS 25 G UU -AJ**

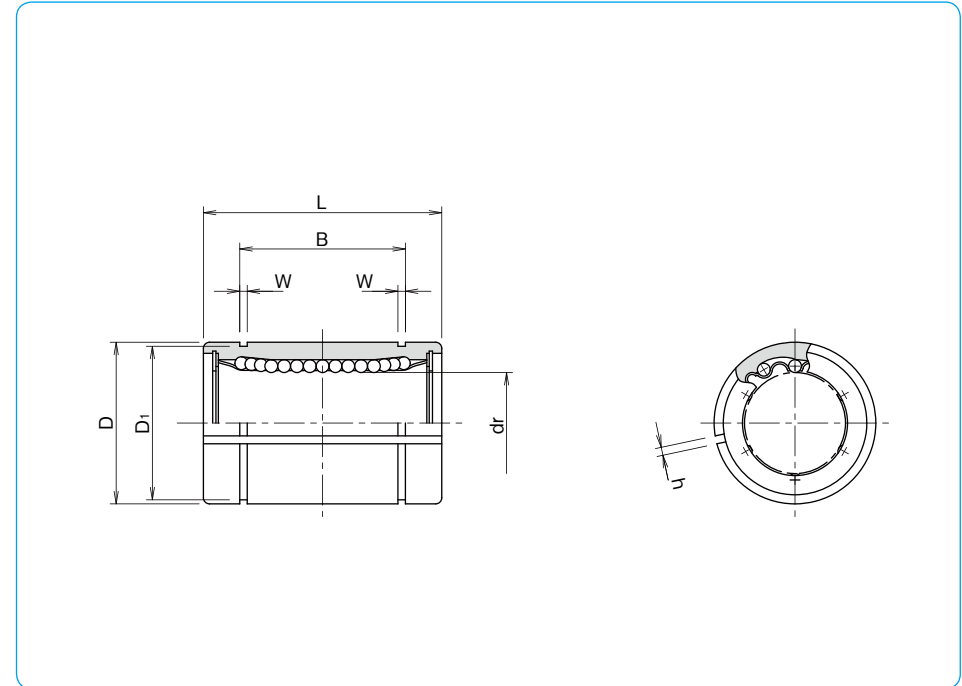
specification  
**KB:** standard  
**KBS:** anti-corrosion

inner contact diameter (dr)

retainer material  
**blank:** standard/steel  
**U:** anti-corrosion/stainless steel  
**G:** resin

clearance-adjustable

seal  
**blank:** without seal  
**U:** seal on one side  
**UU:** seals on both sides



part number		number of ball circuits	major dimensions				
standard	anti-corrosion		dr	D			
steel retainer	resin retainer	stainless retainer	resin retainer	mm	tolerance* μm	mm	tolerance* μm
—	<b>KB 5G-AJ</b>	—	<b>KBS 5G-AJ</b>	4	5	12	0
—	<b>KB 8G-AJ</b>	—	<b>KBS 8G-AJ</b>	4	8	16	- 8
—	<b>KB10G-AJ</b>	—	<b>KBS10G-AJ</b>	4	10	19	0
<b>KB12-AJ</b>	<b>KB12G-AJ</b>	<b>KBS12-AJ</b>	<b>KBS12G-AJ</b>	4	12	22	0
<b>KB16-AJ</b>	<b>KB16G-AJ</b>	<b>KBS16-AJ</b>	<b>KBS16G-AJ</b>	4	16	26	- 9
<b>KB20-AJ</b>	<b>KB20G-AJ</b>	<b>KBS20-AJ</b>	<b>KBS20G-AJ</b>	5	20	32	0
<b>KB25-AJ</b>	<b>KB25G-AJ</b>	<b>KBS25-AJ</b>	<b>KBS25G-AJ</b>	6	25	40	-11
<b>KB30-AJ</b>	<b>KB30G-AJ</b>	<b>KBS30-AJ</b>	<b>KBS30G-AJ</b>	6	30	47	0
<b>KB40-AJ</b>	<b>KB40G-AJ</b>	<b>KBS40-AJ</b>	<b>KBS40G-AJ</b>	6	40	62	0
<b>KB50-AJ</b>	<b>KB50G-AJ</b>	<b>KBS50-AJ</b>	<b>KBS50G-AJ</b>	6	50	75	-13
<b>KB60-AJ</b>	<b>KB60G-AJ</b>	<b>KBS60-AJ</b>	<b>KBS60G-AJ</b>	6	60	90	0
<b>KB80-AJ</b>	—	—	—	6	80	120	-15

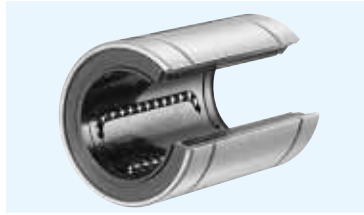
\* Accuracy is measured prior to machining clearance slit.

mm	L tolerance mm	B		W mm	D <sub>1</sub> mm	h mm	eccentricity* μm	basic load rating		mass g	shaft diameter mm
		mm	tolerance mm					dynamic C N	static Co N		
22	0 -0.2	14.5	0 -0.2	1.1	11.5	1	12	206	265	10	5
25		16.5		1.1	15.2	1		265	402	19.5	8
29		22		1.3	18	1		372	549	29	10
32		22.9		1.3	21	1.5		510	784	44	12
36		24.9		1.3	24.9	1.5		578	892	59	16
45	0 -0.3	31.5	0 -0.3	1.6	30.3	2	15	862	1,370	100	20
58		44.1		1.85	37.5	2		980	1,570	230	25
68		52.1		1.85	44.5	2		1,570	2,740	355	30
80		60.6		2.15	59	3		2,160	4,020	758	40
100		77.6		2.65	72	3		3,820	7,940	1,230	50
125	0 -0.4	101.7	0 -0.4	3.15	86.5	3	20	4,700	9,800	2,170	60
165		133.7		4.15	116	3		7,350	16,000	5,000	80

1N≒0.102kgf

# KB-OP TYPE (Euro Standard)

– Open Type –



## part number structure

example **KBS 25 G UU-OP**

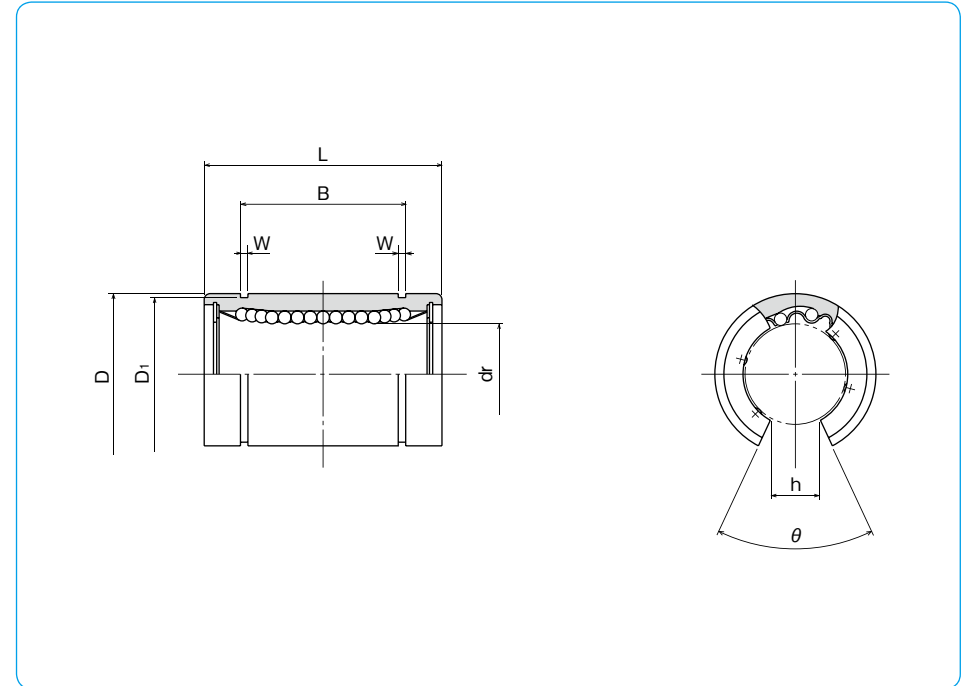
specification  
**KB:** standard  
**KBS:** anti-corrosion

inner contact diameter (dr)

retainer material  
**blank:** standard/steel  
 anti-corrosion/stainless steel  
**G:** resin

open type

seal  
**blank:** without seal  
**U:** seal on one side  
**UU:** seals on both sides



part number				number of ball circuits	major dimensions			
standard steel retainer	resin retainer	anti-corrosion stainless retainer	resin retainer		dr		D	
				mm	tolerance* μm	mm	tolerance* μm	
–	<b>KB10G-OP</b>	–	<b>KBS10G-OP</b>	3	10	+ 8	19	0
<b>KB12-OP</b>	<b>KB12G-OP</b>	<b>KBS12-OP</b>	<b>KBS12G-OP</b>	3	12	0	22	– 9
<b>KB16-OP</b>	<b>KB16G-OP</b>	<b>KBS16-OP</b>	<b>KBS16G-OP</b>	3	16	+ 9	26	0
<b>KB20-OP</b>	<b>KB20G-OP</b>	<b>KBS20-OP</b>	<b>KBS20G-OP</b>	4	20	– 1	32	– 11
<b>KB25-OP</b>	<b>KB25G-OP</b>	<b>KBS25-OP</b>	<b>KBS25G-OP</b>	5	25	+ 11	40	0
<b>KB30-OP</b>	<b>KB30G-OP</b>	<b>KBS30-OP</b>	<b>KBS30G-OP</b>	5	30	– 1	47	– 13
<b>KB40-OP</b>	<b>KB40G-OP</b>	<b>KBS40-OP</b>	<b>KBS40G-OP</b>	5	40	+ 13	62	0
<b>KB50-OP</b>	<b>KB50G-OP</b>	<b>KBS50-OP</b>	<b>KBS50G-OP</b>	5	50	– 2	75	– 15
<b>KB60-OP</b>	<b>KB60G-OP</b>	<b>KBS60-OP</b>	<b>KBS60G-OP</b>	5	60		90	0
<b>KB80-OP</b>	–	–	–	5	80	+ 16/– 4	120	– 15

\* Accuracy is measured prior to machining open slit.

mm	L tolerance mm	B tolerance mm		W mm	D1 mm	h mm	θ	eccentricity* μm	basic load rating		mass g	shaft diameter mm
		mm	mm						C N	Co N		
29		22		1.3	18	6.8	80°	12	372	549	23	10
32	0	22.9	0	1.3	21	7.5	78°		510	784	35	12
36	– 0.2	24.9	– 0.2	1.3	24.9	10	78°		578	892	48	16
45		31.5		1.6	30.3	10	60°	15	862	1,370	84	20
58		44.1		1.85	37.5	12.5	60°		980	1,570	195	25
68	0	52.1	0	1.85	44.5	12.5	50°		1,570	2,740	309	30
80	– 0.3	60.6	– 0.3	2.15	59	16.8	50°	17	2,160	4,020	665	40
100		77.6		2.65	72	21	50°		3,820	7,940	1,080	50
125	0	101.7	0	3.15	86.5	27.2	54°		4,700	9,800	1,900	60
165	– 0.4	133.7	– 0.4	4.15	116	36.3	54°	20	7,350	16,000	4,380	80

1N≒0.102kgf

# KB-W TYPE (Euro Standard)

– Double-Wide Type –



### part number structure

example **KBS 25 G W UU**

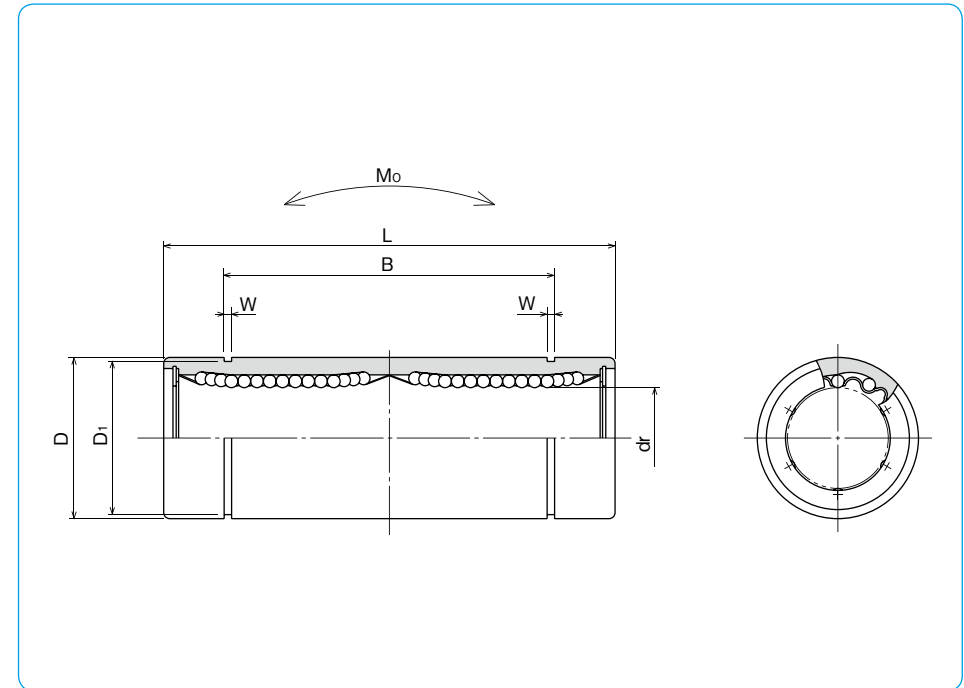
specification  
**KB:** standard  
**KBS:** anti-corrosion

inner contact diameter (dr)

retainer material  
**blank:** standard/steel  
 anti-corrosion/stainless steel  
**G:** resin

seal  
**blank:** without seal  
**UU:** seals on both sides

double-wide type



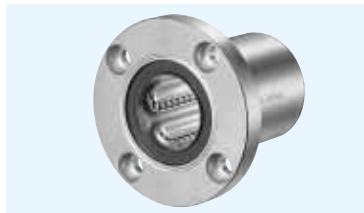
part number				number of ball circuits	dr		major dimensions	
standard steel retainer	resin retainer	anti-corrosion stainless retainer	anti-corrosion resin retainer		mm	tolerance $\mu\text{m}$	D mm	tolerance $\mu\text{m}$
<b>KB 8W</b>	<b>KB 8GW</b>	<b>KBS 8W</b>	<b>KBS 8GW</b>	4	8	+ 9	16	0/-9
<b>KB 12W</b>	<b>KB 12GW</b>	<b>KBS 12W</b>	<b>KBS 12GW</b>	4	12	- 1	22	0
<b>KB 16W</b>	<b>KB 16GW</b>	<b>KBS 16W</b>	<b>KBS 16GW</b>	4	16	+ 11	26	-11
<b>KB 20W</b>	<b>KB 20GW</b>	<b>KBS 20W</b>	<b>KBS 20GW</b>	5	20	- 1	32	0
<b>KB 25W</b>	<b>KB 25GW</b>	<b>KBS 25W</b>	<b>KBS 25GW</b>	6	25	+ 13	40	-13
<b>KB 30W</b>	<b>KB 30GW</b>	<b>KBS 30W</b>	<b>KBS 30GW</b>	6	30	- 2	47	0
<b>KB 40W</b>	<b>KB 40GW</b>	<b>KBS 40W</b>	<b>KBS 40GW</b>	6	40	+ 16	62	0
<b>KB 50W</b>	<b>KB 50GW</b>	<b>KBS 50W</b>	<b>KBS 50GW</b>	6	50	- 4	75	-15
<b>KB 60W</b>	<b>KB 60GW</b>	<b>KBS 60W</b>	<b>KBS 60GW</b>	6	60		90	0/-20

mm	L tolerance mm	mm	B tolerance mm	W mm	D <sub>1</sub> mm	eccentricity $\mu\text{m}$	basic load rating		allowable static moment Mo N·m	mass g	shaft diameter mm
							dynamic C N	static Co N			
46		33		1.1	15.2	15	421	804	4.3	40	8
61	0	45.8	0	1.3	21		813	1,570	11.7	80	12
68	-0.3	49.8	-0.3	1.3	24.9		921	1,780	14.2	115	16
80		61		1.6	30.5	17	1,370	2,740	25.0	180	20
112		82		1.85	38		1,570	3,140	44.0	430	25
123		104.2		1.85	44.5		2,500	5,490	78.9	615	30
151	0	121.2	0	2.15	59	20	3,430	8,040	147	1,400	40
192	-0.4	155.2	-0.4	2.65	72		6,080	15,900	396	2,320	50
209		170		3.15	86.5		25	7,550	20,000	487	3,920

1N  $\approx$  0.102kgf 1N · m  $\approx$  0.102kgf · m

# KBF TYPE (Euro Standard)

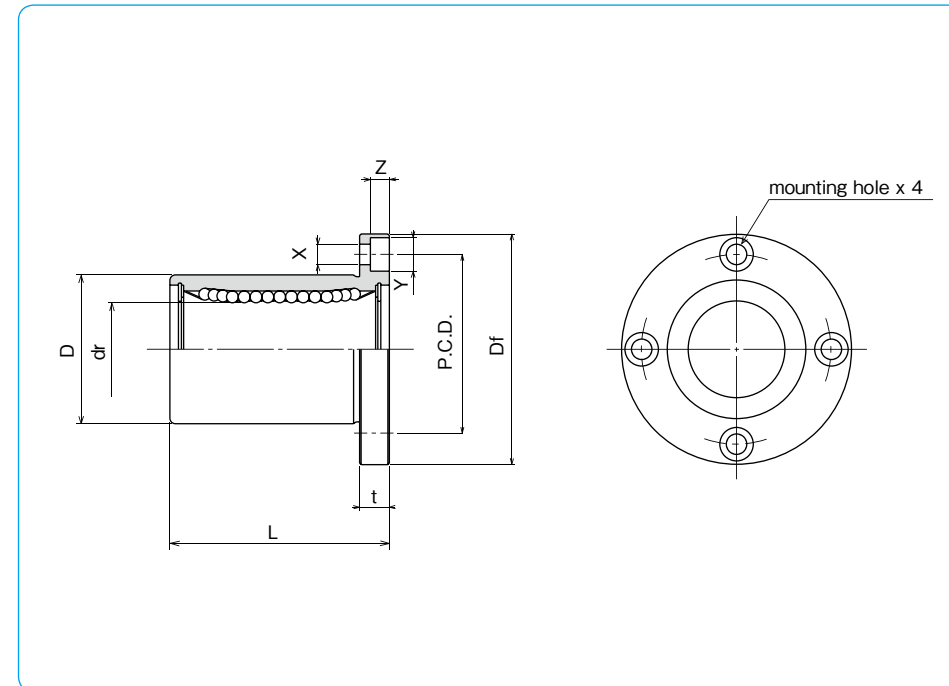
– Round Flange Type –



## part number structure

example **KBSF 25 G UU-SK**

specification KBF: standard KBSF: anti-corrosion	inner contact diameter (dr)	retainer material blank: standard/steel anti-corrosion/stainless steel G: resin	outer cylinder surface treatment blank: no surface treatment SK: electroless nickel plating LF: low temperature black chrome treatment with fluoride coating SB: black oxide (not available on anti-corrosion type) SC: industrial chrome plating	seal blank: without seal UU: seals on both sides
--	-----------------------------	--	--	--



part number				number of ball circuits	dr		major dimensions		
standard steel retainer	resin retainer	anti-corrosion stainless retainer	resin retainer		mm	tolerance $\mu\text{m}$	D mm	tolerance $\mu\text{m}$	L $\pm 0.3$ mm
—	KBF 5G	—	KBSF 5G	4	5		12	0	22
KBF 8	KBF 8G	KBSF 8	KBSF 8G	4	8	+ 8	16	-13	25
KBF12	KBF12G	KBSF12	KBSF12G	4	12	0	22	0	32
KBF16	KBF16G	KBSF16	KBSF16G	4	16	+ 9	26	-16	36
KBF20	KBF20G	KBSF20	KBSF20G	5	20	- 1	32		45
KBF25	KBF25G	KBSF25	KBSF25G	6	25	+11	40	0	58
KBF30	KBF30G	KBSF30	KBSF30G	6	30	- 1	47	-19	68
KBF40	KBF40G	KBSF40	KBSF40G	6	40		62	0	80
KBF50	KBF50G	KBSF50	KBSF50G	6	50	+13	75	-22	100
KBF60	KBF60G	KBSF60	KBSF60G	6	60	- 2	90	0	125
KBF80	—	—	—	6	80	+16/-4	120	-25	165

Df mm	t mm	flange P.C.D. mm	X×Y×Z mm	eccentricity $\mu\text{m}$	perpendicularity $\mu\text{m}$	basic load rating		mass g	shaft diameter mm
						dynamic C N	static Co N		
28	5	20	3.5×6×3.1	12	12	206	265	26	5
32	5	24	3.5×6×3.1			265	402	41	8
42	6	32	4.5×7.5×4.1			510	784	80	12
46	6	36	4.5×7.5×4.1			578	892	103	16
54	8	43	5.5×9×5.1	15	15	862	1,370	182	20
62	8	51	5.5×9×5.1			980	1,570	335	25
76	10	62	6.6×11×6.1			1,570	2,740	560	30
98	13	80	9×14×8.1	17	17	2,160	4,020	1,175	40
112	13	94	9×14×8.1			3,820	7,940	1,745	50
134	18	112	11×17×11.1	20	20	4,700	9,800	3,220	60
164	18	142	11×17×11.1			7,350	16,000	6,420	80

1N≒0.102kgf

# KBK TYPE (Euro Standard)

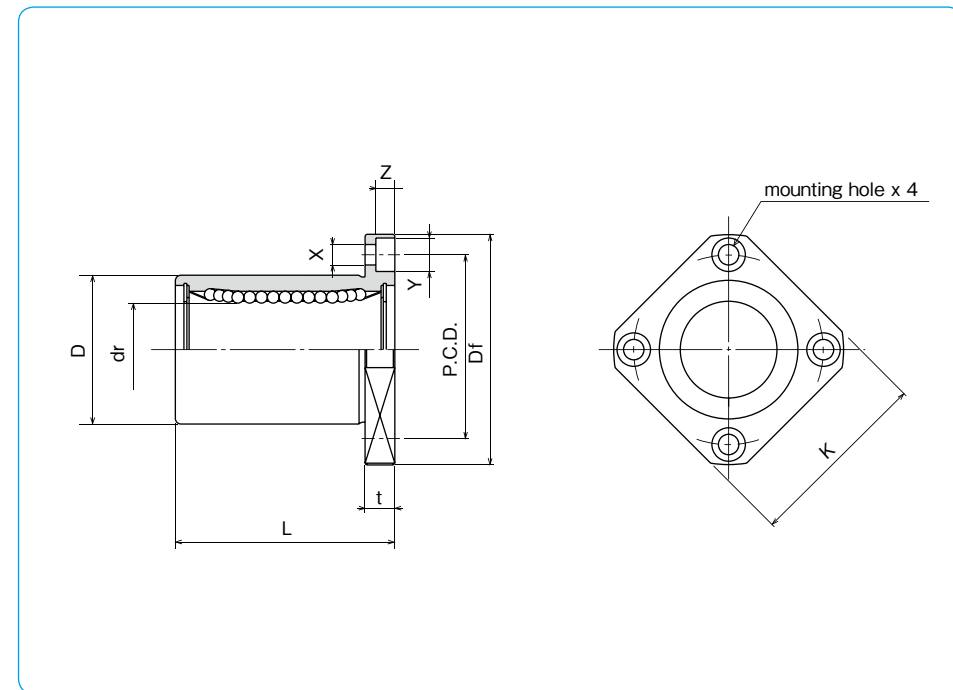
– Square Flange Type –



## part number structure

example **KBSK 25 G UU-SK**

specification KBK: standard KBSK: anti-corrosion	inner contact diameter (dr)	retainer material blank: standard/steel anti-corrosion/stainless steel G: resin	outer cylinder surface treatment blank: no surface treatment SK: electroless nickel plating LF: low temperature black chrome treatment with fluoride coating SB: black oxide (not available on anti-corrosion type) SC: industrial chrome plating	seal blank: without seal UU: seals on both sides
--	-----------------------------	--	--	--



part number				number of ball circuits	dr		major dimensions		
standard steel retainer	resin retainer	anti-corrosion stainless retainer	resin retainer		mm	tolerance $\mu\text{m}$	D mm	tolerance $\mu\text{m}$	L $\pm 0.3$ mm
—	KBK 5G	—	KBSK 5G	4	5	0	12	0	22
KBK 8	KBK 8G	KBSK 8	KBSK 8G	4	8	+ 8	16	-13	25
KBK 12	KBK 12G	KBSK 12	KBSK 12G	4	12	0	22	0	32
KBK 16	KBK 16G	KBSK 16	KBSK 16G	4	16	+ 9	26	-16	36
KBK 20	KBK 20G	KBSK 20	KBSK 20G	5	20	- 1	32	0	45
KBK 25	KBK 25G	KBSK 25	KBSK 25G	6	25	+11	40	-19	58
KBK 30	KBK 30G	KBSK 30	KBSK 30G	6	30	- 1	47	0	68
KBK 40	KBK 40G	KBSK 40	KBSK 40G	6	40	+13	62	0	80
KBK 50	KBK 50G	KBSK 50	KBSK 50G	6	50	- 2	75	-22	100
KBK 60	KBK 60G	KBSK 60	KBSK 60G	6	60	0	90	0	125
KBK 80	—	—	—	6	80	+16/-4	120	-25	165

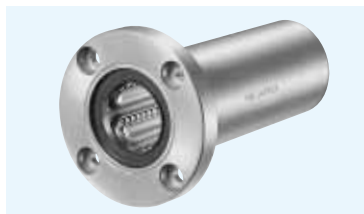
flange					eccentricity $\mu\text{m}$	perpendicularity $\mu\text{m}$	basic load rating		mass g	shaft diameter mm
Df mm	K mm	t mm	P.C.D. mm	X×Y×Z mm			dynamic C N	static Co N		
28	22	5	20	3.5×6×3.1	12	12	206	265	20	5
32	25	5	24	3.5×6×3.1			265	402	33	8
42	32	6	32	4.5×7.5×4.1			510	784	64	12
46	35	6	36	4.5×7.5×4.1			578	892	90	16
54	42	8	43	5.5×9×5.1	15	15	862	1,370	147	20
62	50	8	51	5.5×9×5.1			980	1,570	295	25
76	60	10	62	6.6×11×6.1			1,570	2,740	465	30
98	75	13	80	9×14×8.1	17	17	2,160	4,020	975	40
112	88	13	94	9×14×8.1			3,820	7,940	1,545	50
134	106	18	112	11×17×11.1			4,700	9,800	2,780	60
164	136	18	142	11×17×11.1	20	20	7,350	16,000	5,920	80

1N=0.102kgf



# KBF-W TYPE (Euro Standard)

– Round Flange Double-Wide Type –



## part number structure

example **KBSF 25 G W UU -SK**

specification  
**KBF**: standard  
**KBSF**: anti-corrosion

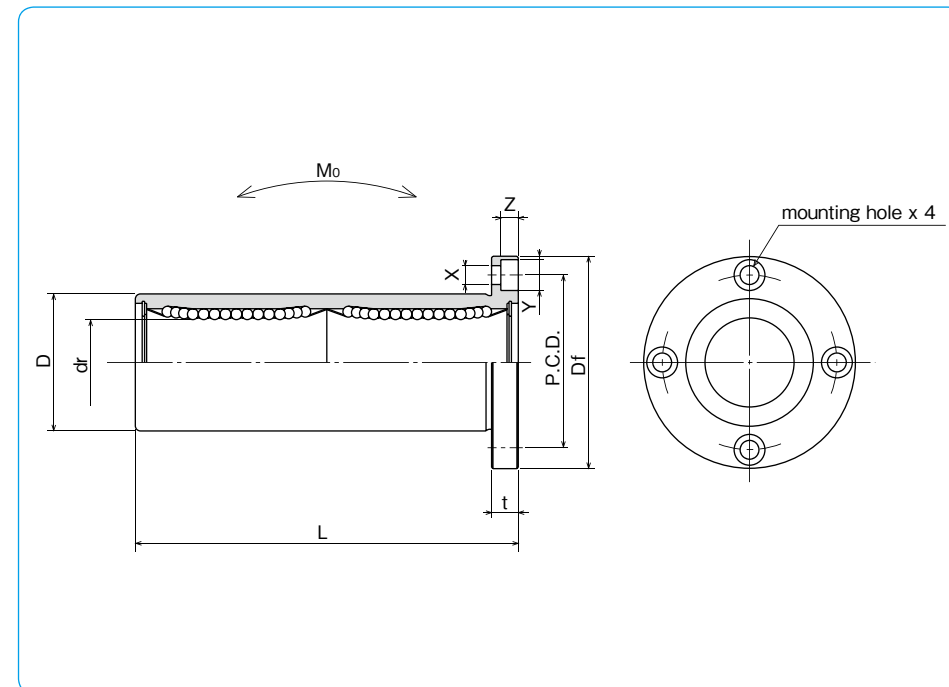
inner contact diameter (dr)

retainer material  
**blank**: standard/steel  
 anti-corrosion/stainless steel  
**G**: resin

outer cylinder surface treatment  
**blank**: no surface treatment  
**SK**: electroless nickel plating  
**LF**: low temperature black chrome treatment with fluoride coating  
**SB**: black oxide (not available on anti-corrosion type)  
**SC**: industrial chrome plating

seal  
**blank**: without seal  
**UU**: seals on both sides

double-wide type



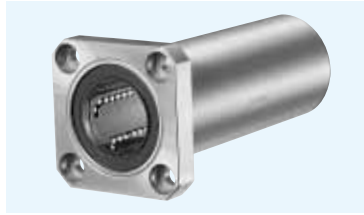
part number				number of ball circuits	dr mm	dr tolerance μm	major dimensions		
standard steel retainer	standard resin retainer	anti-corrosion stainless retainer	anti-corrosion resin retainer				D mm	D tolerance μm	L ±0.3 mm
KBF 8W	KBF 8GW	KBSF 8W	KBSF 8GW	4	8	+ 9	16	0/-13	46
KBF12W	KBF12GW	KBSF12W	KBSF12GW	4	12	- 1	22	0	61
KBF16W	KBF16GW	KBSF16W	KBSF16GW	4	16	+11	26	-16	68
KBF20W	KBF20GW	KBSF20W	KBSF20GW	5	20	- 1	32	0	80
KBF25W	KBF25GW	KBSF25W	KBSF25GW	6	25	+13	40	-19	112
KBF30W	KBF30GW	KBSF30W	KBSF30GW	6	30	- 2	47	0	123
KBF40W	KBF40GW	KBSF40W	KBSF40GW	6	40	+16	62	0	151
KBF50W	KBF50GW	KBSF50W	KBSF50GW	6	50	- 4	75	-22	192
KBF60W	KBF60GW	KBSF60W	KBSF60GW	6	60		90	0/-25	209

Df mm	t mm	flange P.C.D. mm	X × Y × Z mm	eccentricity μm	perpendicularity μm	basic load rating		allowable static moment Mo N · m	mass g	shaft diameter mm
						dynamic C N	static Co N			
32	5	24	3.5 × 6 × 3.1	15	15	421	804	4.3	59	8
42	6	32	4.5 × 7.5 × 4.1			813	1,570	11.7	110	12
46	6	36	4.5 × 7.5 × 4.1			921	1,780	14.2	160	16
54	8	43	5.5 × 9 × 5.1	17	17	1,370	2,740	25.0	260	20
62	8	51	5.5 × 9 × 5.1			1,570	3,140	44.0	540	25
76	10	62	6.6 × 11 × 6.1			2,500	5,490	78.9	815	30
98	13	80	9 × 14 × 8.1	20	20	3,430	8,040	147	1,805	40
112	13	94	9 × 14 × 8.1			6,080	15,900	396	2,820	50
134	18	112	11 × 17 × 11.1			7,550	20,000	487	4,920	60

1N ≅ 0.102kgf 1N · m ≅ 0.102kgf · m

# KBK-W TYPE (Euro Standard)

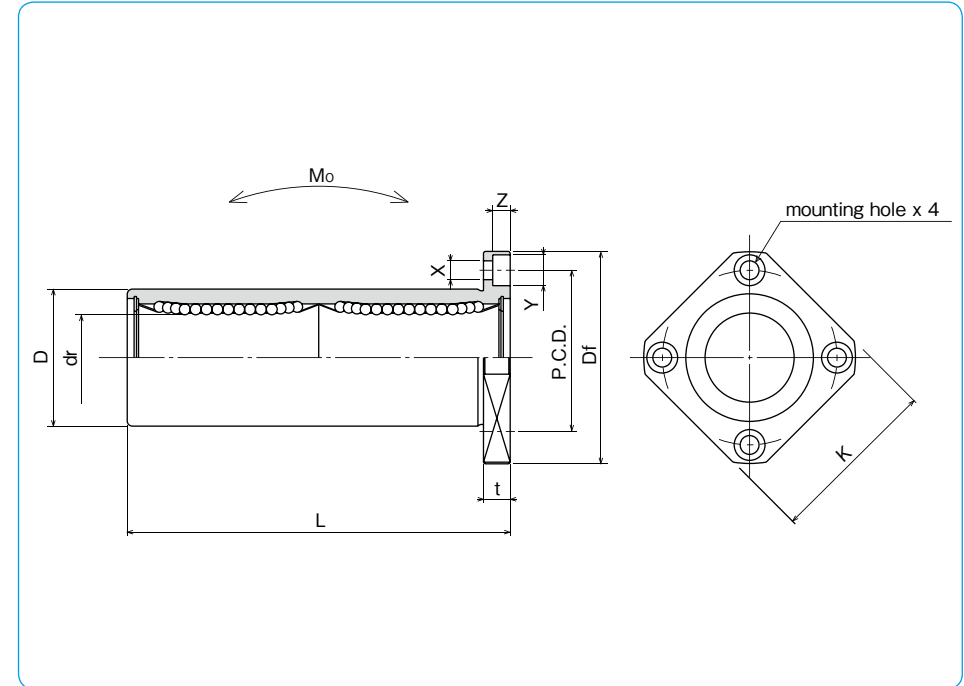
– Square Flange Double-Wide Type –



## part number structure

example **KBSK 25 G W UU-SK**

specification KBK: standard KBSK: anti-corrosion	outer cylinder surface treatment blank: no surface treatment SK: electroless nickel plating LF: low temperature black chrome treatment with fluoride coating SB: black oxide (not available on anti-corrosion type) SC: industrial chrome plating
inner contact diameter (dr)	seal blank: without seal UU: seals on both sides
retainer material blank: standard/steel anti-corrosion/stainless steel G: resin	double-wide type



part number				number of ball circuits	dr		major dimensions		
standard steel retainer	standard resin retainer	anti-corrosion stainless retainer	anti-corrosion resin retainer		mm	tolerance $\mu\text{m}$	D mm	tolerance $\mu\text{m}$	L $\pm 0.3$ mm
KBK 8W	KBK 8GW	KBSK 8W	KBSK 8GW	4	8	+ 9	16	0/-13	46
KBK 12W	KBK 12GW	KBSK 12W	KBSK 12GW	4	12	- 1	22	0	61
KBK 16W	KBK 16GW	KBSK 16W	KBSK 16GW	4	16	+ 11	26	-16	68
KBK 20W	KBK 20GW	KBSK 20W	KBSK 20GW	5	20	- 1	32	0	80
KBK 25W	KBK 25GW	KBSK 25W	KBSK 25GW	6	25	+ 13	40	-19	112
KBK 30W	KBK 30GW	KBSK 30W	KBSK 30GW	6	30	- 2	47	0	123
KBK 40W	KBK 40GW	KBSK 40W	KBSK 40GW	6	40	+ 16	62	0	151
KBK 50W	KBK 50GW	KBSK 50W	KBSK 50GW	6	50	- 4	75	-22	192
KBK 60W	KBK 60GW	KBSK 60W	KBSK 60GW	6	60		90	0/-25	209

Df mm	K mm	flange			eccentricity $\mu\text{m}$	perpendicularity $\mu\text{m}$	basic load rating		allowable static moment $\text{Mo N}\cdot\text{m}$	mass g	shaft diameter mm
		t mm	P.C.D. mm	X×Y×Z mm			dynamic C N	static Co N			
32	25	5	24	3.5×6×3.1	15	15	421	804	4.3	51	8
42	32	6	32	4.5×7.5×4.1			813	1,570	11.7	90	12
46	35	6	36	4.5×7.5×4.1			921	1,780	14.2	135	16
54	42	8	43	5.5×9×5.1	17	17	1,370	2,740	25.0	225	20
62	50	8	51	5.5×9×5.1			1,570	3,140	44.0	500	25
76	60	10	62	6.6×11×6.1			2,500	5,490	78.9	720	30
98	75	13	80	9×14×8.1	20	20	3,430	8,040	147	1,600	40
112	88	13	94	9×14×8.1			6,080	15,900	396	2,620	50
134	106	18	112	11×17×11.1			7,550	20,000	487	4,480	60

1N  $\equiv$  0.102kgf 1N  $\cdot$  m  $\equiv$  0.102kgf  $\cdot$  m

# KBFC TYPE (Euro Standard)

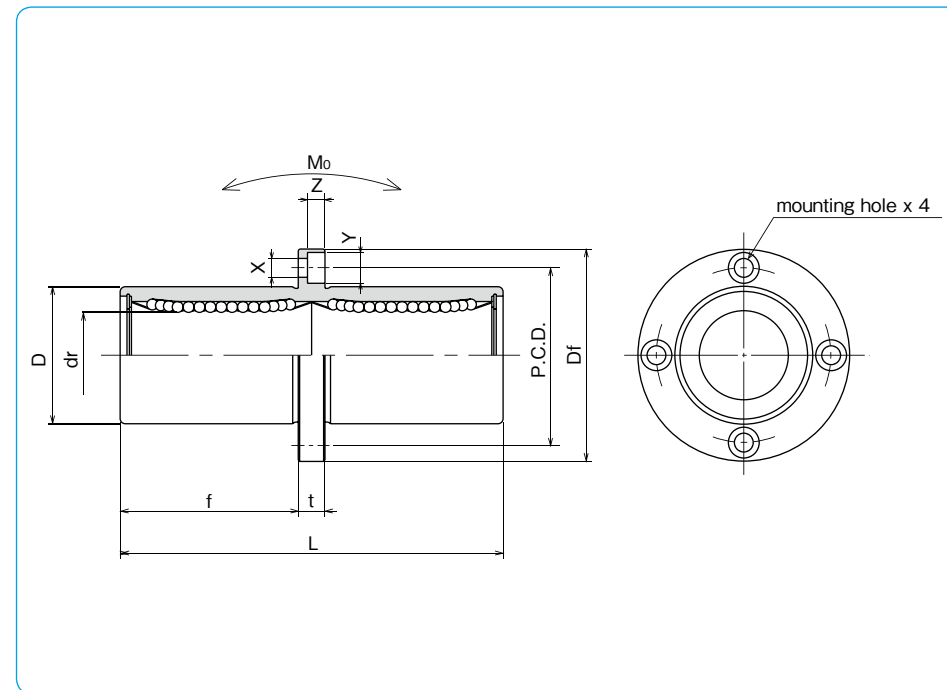
– Center Mount Round Flange Type –



## part number structure

example **KBSFC 25 G UU-SK**

specification <b>KBFC</b> : standard <b>KBSFC</b> : anti-corrosion	outer cylinder surface treatment <b>blank</b> : no surface treatment <b>SK</b> : electroless nickel plating <b>LF</b> : low temperature black chrome treatment with fluoride coating <b>SB</b> : black oxide (not available on anti-corrosion type) <b>SC</b> : industrial chrome plating
inner contact diameter (dr)	seal <b>blank</b> : without seal <b>UU</b> : seals on both sides
retainer material <b>blank</b> : standard/steel <b>G</b> : anti-corrosion/stainless steel <b>resin</b>	



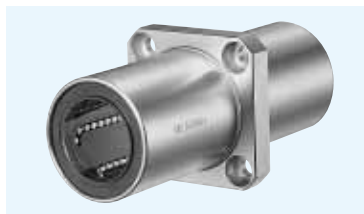
part number				number of ball circuits	dr mm	dr tolerance μm	major dimensions		
standard steel retainer	anti-corrosion resin retainer	stainless steel retainer	resin retainer				D mm	D tolerance μm	L ±0.3 mm
KBFC 8	KBFC 8G	KBSFC 8	KBSFC 8G	4	8	+ 9	16	0/-13	46
KBFC12	KBFC12G	KBSFC12	KBSFC12G	4	12	- 1	22	0	61
KBFC16	KBFC16G	KBSFC16	KBSFC16G	4	16	+11	26	-16	68
KBFC20	KBFC20G	KBSFC20	KBSFC20G	5	20	- 1	32	0	80
KBFC25	KBFC25G	KBSFC25	KBSFC25G	6	25	+13	40	-19	112
KBFC30	KBFC30G	KBSFC30	KBSFC30G	6	30	- 2	47	0	123
KBFC40	KBFC40G	KBSFC40	KBSFC40G	6	40	+16	62	0	151
KBFC50	KBFC50G	KBSFC50	KBSFC50G	6	50	- 4	75	-22	192
KBFC60	KBFC60G	KBSFC60	KBSFC60G	6	60		90	0/-25	209

f mm	Df mm	flange			eccentricity μm	perpendicularity μm	basic load rating		allowable static moment Mo N·m	mass g	shaft diameter mm
		t mm	P.C.D. mm	X×Y×Z mm			dynamic C N	static Co N			
20.5	32	5	24	3.5×6×3.1	15	15	421	804	4.3	59	8
27.5	42	6	32	4.5×7.5×4.1			813	1,570	11.7	110	12
31	46	6	36	4.5×7.5×4.1			921	1,780	14.2	160	16
36	54	8	43	5.5×9×5.1	17	17	1,370	2,740	25.0	260	20
52	62	8	51	5.5×9×5.1			1,570	3,140	44.0	540	25
56.5	76	10	62	6.6×11×6.1			2,500	5,490	78.9	815	30
69	98	13	80	9×14×8.1	20	20	3,430	8,040	147	1,805	40
89.5	112	13	94	9×14×8.1			6,080	15,900	396	2,820	50
95.5	134	18	112	11×17×11.1			7,550	20,000	487	4,920	60

1N≐0.102kgf 1N·m≐0.102kgf·m

# KBKC TYPE (Euro Standard)

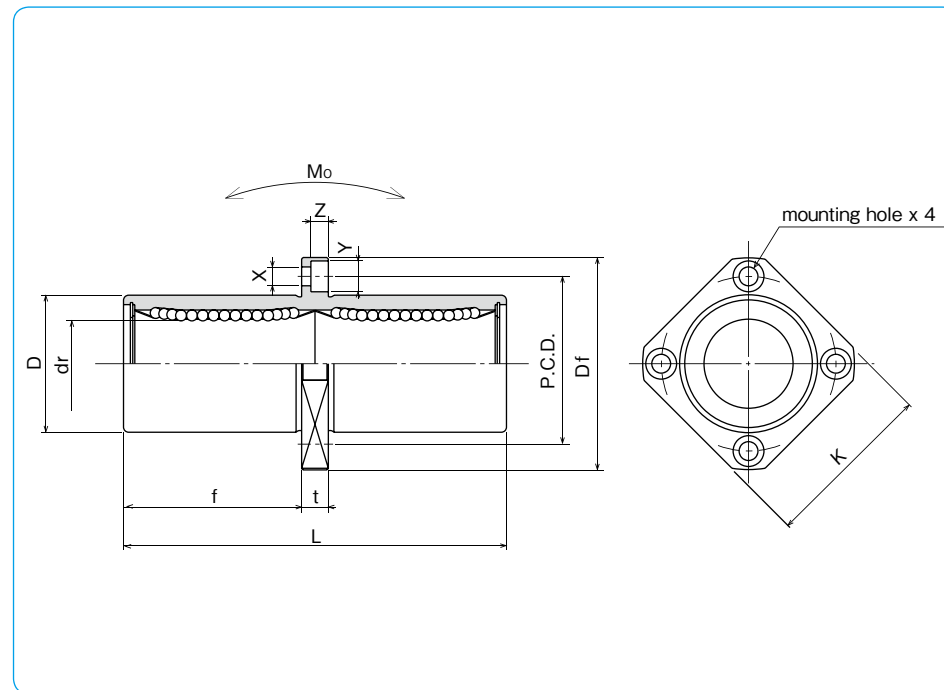
– Center Mount Square Flange Type –



## part number structure

example **KBKSC 25 G UU-SK**

specification KBKC: standard KBSKC: anti-corrosion	outer cylinder surface treatment blank: no surface treatment SK: electroless nickel plating LF: low temperature black chrome treatment with fluoride coating SB: black oxide (not available on anti-corrosion type) SC: industrial chrome plating
inner contact diameter (dr)	seal blank: without seal UU: seals on both sides
retainer material blank: standard/steel G: resin	



part number				number of ball circuits	dr		major dimensions		
standard steel retainer	standard resin retainer	anti-corrosion stainless retainer	anti-corrosion resin retainer		mm	tolerance $\mu\text{m}$	D mm	tolerance $\mu\text{m}$	L $\pm 0.3$ mm
KBKC 8	KBKC 8G	KBSKC 8	KBSKC 8G	4	8	+ 9	16	0/-13	46
KBKC12	KBKC12G	KBSKC12	KBSKC12G	4	12	- 1	22	0	61
KBKC16	KBKC16G	KBSKC16	KBSKC16G	4	16	+11	26	-16	68
KBKC20	KBKC20G	KBSKC20	KBSKC20G	5	20	- 1	32	0	80
KBKC25	KBKC25G	KBSKC25	KBSKC25G	6	25	+13	40	-19	112
KBKC30	KBKC30G	KBSKC30	KBSKC30G	6	30	- 2	47	0	123
KBKC40	KBKC40G	KBSKC40	KBSKC40G	6	40	+16	62	0	151
KBKC50	KBKC50G	KBSKC50	KBSKC50G	6	50	- 4	75	-22	192
KBKC60	KBKC60G	KBSKC60	KBSKC60G	6	60		90	0/-25	209

f mm	Df mm	flange				X×Y×Z mm	eccentricity $\mu\text{m}$	perpendicularity $\mu\text{m}$	basic load rating		allowable static moment $\text{N} \cdot \text{m}$	mass g	shaft diameter mm
		K mm	t mm	P.C.D. mm	dynamic C N				static Co N				
20.5	32	25	5	24	3.5×6×3.1	15	15	421	804	4.3	51	8	
27.5	42	32	6	32	4.5×7.5×4.1			813	1,570	11.7	90	12	
31	46	35	6	36	4.5×7.5×4.1			921	1,780	14.2	135	16	
36	54	42	8	43	5.5×9×5.1	17	17	1,370	2,740	25.0	225	20	
52	62	50	8	51	5.5×9×5.1			1,570	3,140	44.0	500	25	
56.5	76	60	10	62	6.6×11×6.1			2,500	5,490	78.9	720	30	
69	98	75	13	80	9×14×8.1	20	20	3,430	8,040	147	1,600	40	
89.5	112	88	13	94	9×14×8.1			6,080	15,900	396	2,620	50	
95.5	134	106	18	112	11×17×11.1			7,550	20,000	487	4,480	60	

1N  $\div$  0.102kgf 1N · m  $\div$  0.102kgf · m

# SW TYPE (Inch Standard)

– Standard Type –



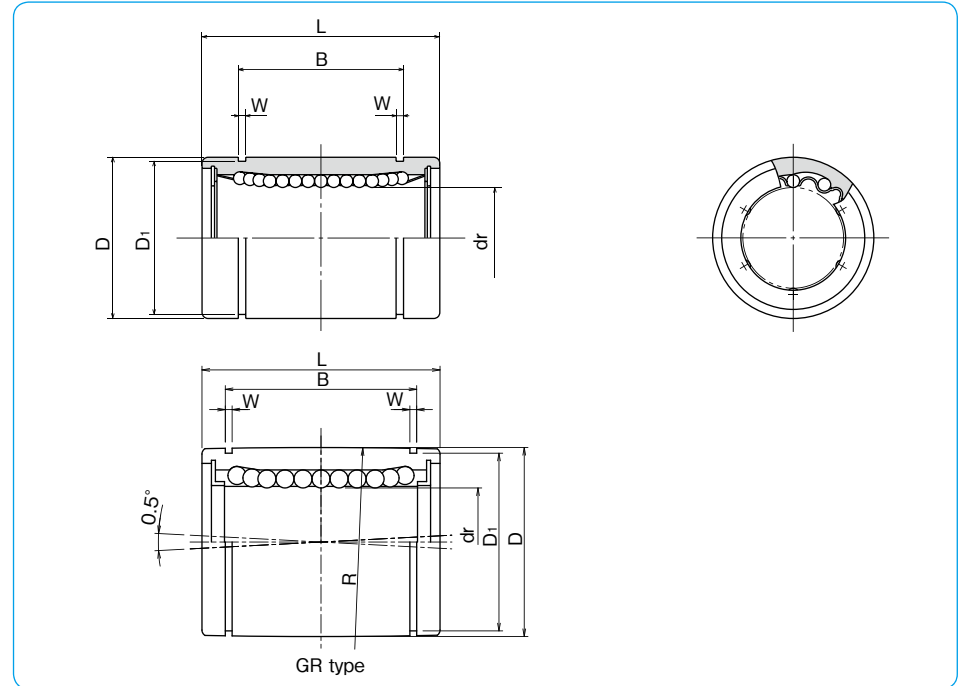
## part number structure

example **SWS16GRUU-P**

specification <b>SW</b> : standard <b>SWS</b> : anti-corrosion	size	retainer material <b>blank</b> : standard/steel anti-corrosion/stainless steel <b>G</b> : resin	accuracy grade <b>blank</b> : high <b>P</b> : precision	seal <b>blank</b> : without seal <b>U</b> : seal on one side <b>UU</b> : seals on both sides	self aligning <b>blank</b> : non self aligning <b>R</b> : self aligning *
--	------	--	---	---	---

\*Seals are not available on SWS2 and SWS3.

\*Self-aligning is available only with resin retainer for size 4 to 32 of carbon steel cylinder.



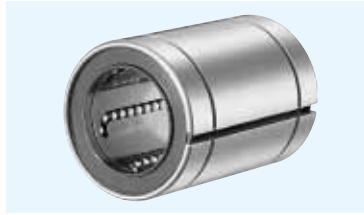
partnumber		major dimensions		number of ball circuits	dr		D		
steel retainer	standard resinretainer	anti-corrosion stainless retainer	resin retainer		inch (mm)	tolerance precision	inch/(μm) high	inch (mm)	tolerance inch/(μm)
-	-	-	<b>SWS2</b>	<b>SWS2G</b>	4	.1250 (3.175)	0	.3125 (7.938)	0
-	-	-	<b>SWS3</b>	<b>SWS3G</b>	4	.1875 (4.763)	-	.3750 (9.525)	-0.0040 (-9)
<b>SW4</b>	<b>SW4G</b>	<b>SW4GR</b>	<b>SWS4</b>	<b>SWS4G</b>	4	.2500 (6.350)	0	.5000 (12.700)	-0.0045 (-11)
<b>SW6</b>	<b>SW6G</b>	<b>SW6GR</b>	<b>SWS6</b>	<b>SWS6G</b>	4	.3750 (9.525)	-0.0025 (-6)	.6250 (15.875)	0
<b>SW8</b>	<b>SW8G</b>	<b>SW8GR</b>	<b>SWS8</b>	<b>SWS8G</b>	4	.5000 (12.700)	-0.0040 (-9)	.8750 (22.225)	-0.0050 (-13)
<b>SW10</b>	<b>SW10G</b>	<b>SW10GR</b>	<b>SWS10</b>	<b>SWS10G</b>	4	.625 (15.875)	0	1.1250 (28.575)	0
<b>SW12</b>	<b>SW12G</b>	<b>SW12GR</b>	<b>SWS12</b>	<b>SWS12G</b>	5	.7500 (19.050)	-0.0030 (-7)	1.2500 (31.750)	-0.0065 (-16)
<b>SW16</b>	<b>SW16G</b>	<b>SW16GR</b>	<b>SWS16</b>	<b>SWS16G</b>	6	1.0000 (25.400)	0	1.5625 (39.688)	-0.0075 (-19)
<b>SW20</b>	<b>SW20G</b>	<b>SW20GR</b>	<b>SWS20</b>	<b>SWS20G</b>	6	1.2500 (31.750)	0	2.0000 (50.800)	-0.0075 (-19)
<b>SW24</b>	<b>SW24G</b>	<b>SW24GR</b>	<b>SWS24</b>	<b>SWS24G</b>	6	1.5000 (38.100)	-0.0035 (-8)	2.3750 (60.325)	-0.0090 (-22)
<b>SW32</b>	<b>SW32G</b>	<b>SW32GR</b>	<b>SWS32</b>	<b>SWS32G</b>	6	2.0000 (50.800)	0	3.0000 (76.200)	0
<b>SW40</b>	-	-	-	-	6	2.5000 (63.500)	-0.0040 (-9)	3.7500 (95.250)	-0.0090 (-22)
<b>SW48</b>	-	-	-	-	6	3.0000 (76.200)	0	4.5000 (114.300)	0
<b>SW64</b>	-	-	-	-	6	4.0000 (101.600)	-0.0040 (-10)	6.0000 (152.400)	-0.0100 (-25)

L		B		W	D <sub>1</sub>	eccentricity		radial clearance	basic load rating		mass	shaft diameter
inch (mm)	tolerance inch/(mm)	inch (mm)	tolerance inch/(mm)	inch (mm)	inch (mm)	precision inch/(μm)	high inch/(μm)	(maximum) inch/(μm)	dynamic C N	static Co N	g	inch (mm)
5000 (12.700)		.3681 (9.35)		.0280 (0.710)	.2902 (7.370)	-	.0003 (8)	-0.001 (-2)	59	76	2.8	1/8 (3.175)
.5625 (14.275)		.4311 (10.95)		.0280 (0.710)	.3520 (8.940)				91	110	3.6	3/16 (4.763)
.7500 (19.050)	0	.5110 (12.98)	0	.0390 (0.992)	.4687 (11.906)			-0.0001 (-3)	206	265	9.5	1/4 (6.350)
.8750 (22.225)	-0.008 (-0.2)	.6358 (16.15)	-0.008 (-0.2)	.0390 (0.992)	.5880 (14.935)	.0003 (8)	.0005 (12)		225	314	15	3/8 (9.525)
1.2500 (31.750)		.9625 (24.46)		.0459 (1.168)	.8209 (20.853)			-0.0001 (-4)	510	784	42	1/2 (12.700)
1.5000 (38.100)		1.1039 (28.575)		.0559 (1.422)	1.0590 (26.899)				774	1,180	85	5/8 (15.875)
1.6250 (41.275)		1.1657 (29.61)		.0559 (1.422)	1.1760 (29.870)	.0004 (10)	.0006 (15)	-0.0002 (-6)	862	1,370	104	3/4 (19.050)
2.2500 (57.150)		1.7547 (44.57)		.0679 (1.727)	1.4687 (37.306)				980	1,570	220	1 (25.400)
2.6250 (66.675)	0	2.0047 (50.92)	0	.0679 (1.727)	1.8859 (47.904)	.0005 (12)	.0008 (20)	-0.0003 (-8)	1,570	2,740	465	1-1/4 (31.750)
3.0000 (76.200)	-0.012 (-0.3)	2.4118 (61.26)	-0.012 (-0.3)	.0859 (2.184)	2.2389 (56.870)				2,180	4,020	720	1-1/2 (38.100)
4.0000 (101.600)		3.1917 (81.07)		.1029 (2.616)	2.8379 (72.085)			-0.0005 (-13)	3,820	7,940	1,310	2 (50.800)
5.0000 (127.000)		3.9760 (100.99)		.1200 (3.048)	3.5519 (90.220)	.0007 (17)	.0010 (25)		4,700	10,000	2,600	2-1/2 (63.500)
6.0000 (152.400)	0	4.726 (120.04)	0	.1200 (3.048)	4.3100 (109.474)			-0.0008 (-20)	7,350	16,000	4,380	3 (76.200)
8.0000 (203.200)	-0.016 (-0.4)	6.258 (158.95)	-0.016 (-0.4)	.1389 (3.530)	5.745 (145.923)	.0008 (20)	.0012 (30)		14,100	34,800	10,200	4 (101.600)

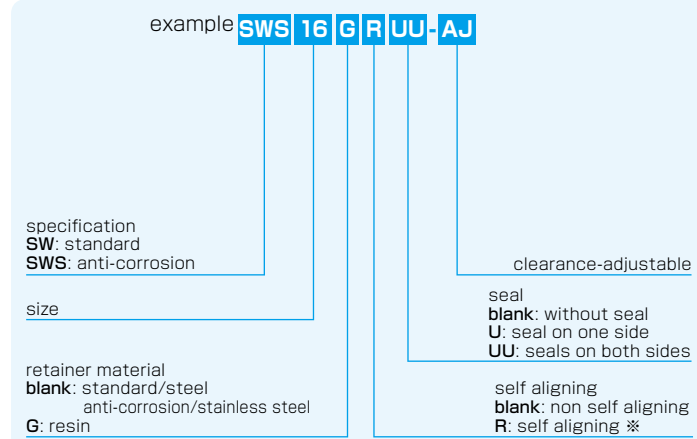
1N≐0.225lbf 1kg≐2.205lbf

# SW-AJ TYPE (Inch Standard)

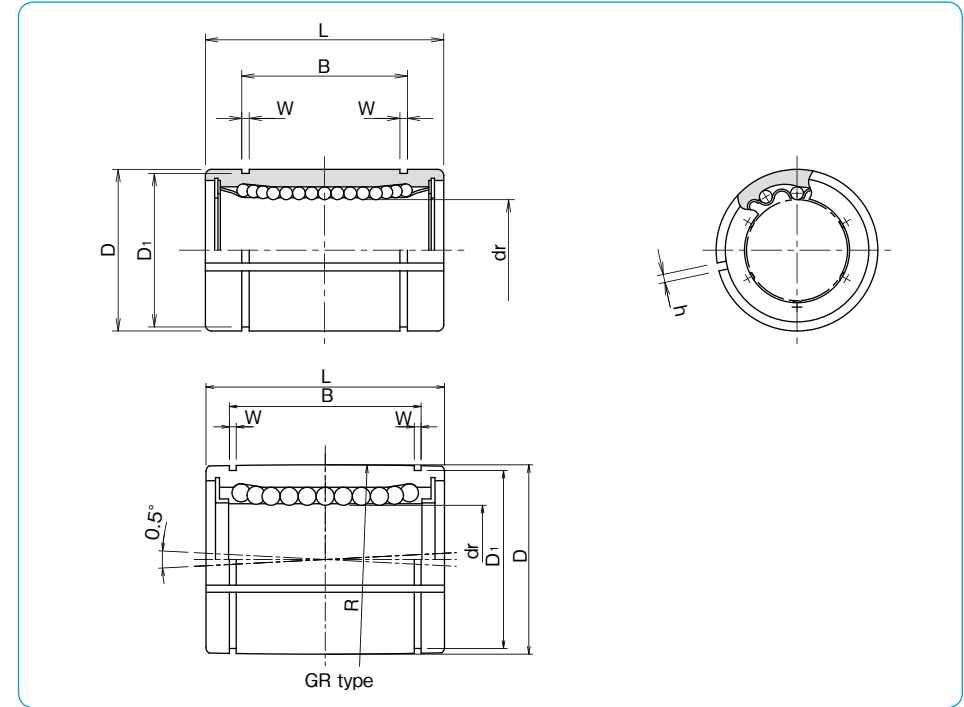
– Clearance Adjustable Type –



## part number structure



\*Self-aligning is available only with resin retainer for size 8 to 32 of carbon steel cylinder.



steelretainer	partnumber		number ofball circuits	majordimensions					
	standard resinretainer	anti-corrosion stainless retainer		resinretainer	dr		D		
	inch (mm)	inch (mm)		inch (mm)	inch (mm)	tolerance* inch/(μm)	inch (mm)	tolerance* inch/(μm)	
-	SW4G-AJ	-	-	SWS4G-AJ	4	.2500 (6.350)		.5000 (12.700)	-0.0045 (-11)
-	SW6G-AJ	-	-	SWS6G-AJ	4	.3750 (9.525)	0 (-9)	.6250 (15.875)	0 (-11)
SW8-AJ	SW8G-AJ	SW8GR-AJ	SWS8-AJ	SWS8G-AJ	4	5.000 (12.700)		.8750 (22.225)	-0.0050 (-13)
SW10-AJ	SW10G-AJ	SW10GR-AJ	SWS10-AJ	SWS10G-AJ	4	.625 (15.875)		1.1250 (28.575)	0 (-11)
SW12-AJ	SW12G-AJ	SW12GR-AJ	SWS12-AJ	SWS12G-AJ	5	.7500 (19.050)	0 (-10)	1.2500 (31.750)	-0.0065 (-16)
SW16-AJ	SW16G-AJ	SW16GR-AJ	SWS16-AJ	SWS16G-AJ	6	1.0000 (25.400)		1.5625 (39.688)	0 (-16)
SW20-AJ	SW20G-AJ	SW20GR-AJ	SWS20-AJ	SWS20G-AJ	6	1.2500 (31.750)	0 (-12)	2.0000 (50.800)	-0.0075 (-19)
SW24-AJ	SW24G-AJ	SW24GR-AJ	SWS24-AJ	SWS24G-AJ	6	1.5000 (38.100)		2.3750 (60.325)	0 (-19)
SW32-AJ	SW32G-AJ	SW32GR-AJ	SWS32-AJ	SWS32G-AJ	6	2.0000 (50.800)		3.0000 (76.200)	0 (-22)
SW40-AJ	-	-	-	-	6	2.5000 (63.500)	0 (-15)	3.7500 (95.250)	-0.0090 (-25)
SW48-AJ	-	-	-	-	6	3.0000 (76.200)		4.5000 (114.300)	0 (-25)
SW64-AJ	-	-	-	-	6	4.0000 (101.600)		6.0000 (152.400)	0 (-25)

\* Accuracy is measured prior to machining clearance slit.

inch (mm)	L tolerance inch/(mm)	inch (mm)	B tolerance inch/(mm)	W inch (mm)	D <sub>1</sub> inch (mm)	h inch (mm)	eccentricity* inch (μm)	basicloadrating		mass g	shaft diameter inch (mm)
								dynamic C N	static Co N		
.7500 (19.050)		.5100 (12.98)		.0390 (0.992)	.4687 (11.906)	.04 (1)		206	265	7.5	1/4 (6.350)
.8750 (22.225)	0	.6358 (12.15)	0	.0390 (0.992)	.5880 (14.935)	.04 (1)	.0005 (12)	225	314	13.5	3/8 (9.525)
1.2500 (31.750)	-0.008 (-0.2)	.9625 (24.46)	-0.008 (-0.2)	.0459 (1.168)	.8209 (20.853)	.06 (1.5)		510	784	41	1/2 (12.700)
1.5000 (38.100)		1.1039 (28.04)		.0559 (1.422)	1.0590 (26.899)	.06 (1.5)		774	1,180	83	5/8 (15.875)
1.6250 (41.275)		1.1657 (29.61)		.0559 (1.422)	1.1760 (29.870)	.06 (1.5)	.0006 (15)	862	1,370	102	3/4 (19.050)
2.2500 (57.150)		1.7547 (44.57)		.0679 (1.727)	1.4687 (37.306)	.06 (1.5)		980	1,570	218	1 (25.400)
2.6250 (66.675)	0	2.0047 (50.92)	0	.0679 (1.727)	1.8859 (47.904)	.10 (2.5)	.0008 (20)	1,570	2,740	455	1-1/4 (31.750)
3.0000 (76.200)	-0.012 (-0.3)	2.4118 (61.26)	-0.012 (-0.3)	0.859 (2.184)	2.2389 (56.870)	.12 (3)		2,180	4,020	710	1-1/2 (38.100)
4.0000 (101.600)		3.1917 (81.07)		.1029 (2.616)	2.8379 (72.085)	.12 (3)		3,820	7,940	1,290	2 (50.800)
5.0000 (127.000)		3.9760 (100.99)		.1200 (3.048)	3.5519 (90.220)	.12 (3)	.0010 (25)	4,700	10,000	2,560	2-1/2 (63.500)
6.0000 (152.400)	0	4.726 (120.04)	0	.1200 (3.048)	4.3100 (109.474)	.12 (3)		7,350	16,000	4,350	3 (76.200)
8.0000 (203.200)	-0.016 (-0.4)	6.258 (158.95)	-0.016 (-0.4)	.1389 (3.530)	5.745 (145.923)	.12 (3)	.0012 (30)	14,100	34,800	10,150	4 (101.600)

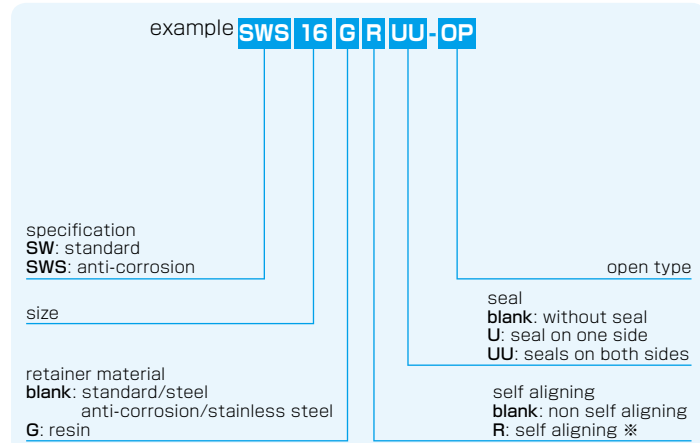
1N≒0.225lbf 1kg≒2.205lbs

# SW-OP TYPE (Inch Standard)

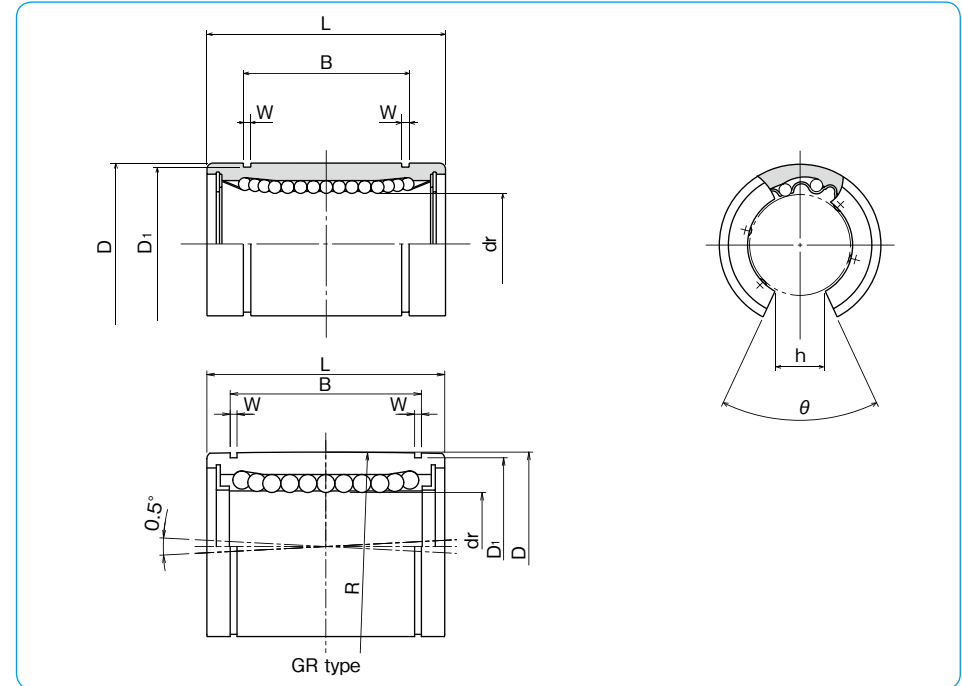
– Open Type –



## part number structure



\*Self-aligning is available only with resin retainer for size 8 to 32 of carbon steel cylinder.



steel retainer	part number		anti-corrosion		number of ball circuits	dr		major dimensions	
	standard	resin retainer	steel retainer	resin retainer		inch (mm)	tolerance* inch/(μm)	inch (mm)	tolerance* inch/(μm)
SW 8-OP	SW 8G-OP	SW 8GR-OP	SWS 8-OP	SWS 8G-OP	3	.5000 (12.700)	0 (-0.00040)	.8750 (22.225)	0 (-0.00050)
SW10-OP	SW10G-OP	SW10GR-OP	SWS10-OP	SWS10G-OP	3	.625 (15.875)	0 (-0.00040)	1.1250 (28.575)	0 (-0.00050)
SW12-OP	SW12G-OP	SW12GR-OP	SWS12-OP	SWS12G-OP	4	.7500 (19.050)	0 (-0.00040)	1.2500 (31.750)	0 (-0.00065)
SW16-OP	SW16G-OP	SW16GR-OP	SWS16-OP	SWS16G-OP	5	1.0000 (25.400)	0 (-0.00040)	1.5625 (39.688)	0 (-0.00065)
SW20-OP	SW20G-OP	SW20GR-OP	SWS20-OP	SWS20G-OP	5	1.2500 (31.750)	0 (-0.00040)	2.0000 (50.800)	0 (-0.00075)
SW24-OP	SW24G-OP	SW24GR-OP	SWS24-OP	SWS24G-OP	5	1.5000 (38.100)	0 (-0.00050)	2.3750 (60.325)	0 (-0.00075)
SW32-OP	SW32G-OP	SW32GR-OP	SWS32-OP	SWS32G-OP	5	2.0000 (50.800)	0 (-0.00050)	3.0000 (76.200)	0 (-0.00090)
SW40-OP	-	-	-	-	5	2.5000 (63.500)	0 (-0.00060)	3.7500 (95.250)	0 (-0.00090)
SW48-OP	-	-	-	-	5	3.0000 (76.200)	0 (-0.00060)	4.5000 (114.300)	0 (-0.00100)
SW64-OP	-	-	-	-	5	4.0000 (101.600)	0 (-0.00080)	6.0000 (152.400)	0 (-0.00100)

\* Accuracy is measured prior to machining clearance slit.

L	tolerance	B		W	D <sub>1</sub>	h	θ	eccentricity*	basic load rating		mass	shaft diameter
		inch (mm)	tolerance inch/(mm)						dynamic C	static Co		
1.2500 (31.750)	0 (-0.008)	.9625 (24.46)	0 (-0.008)	.0459 (1.168)	.8209 (20.853)	.3125 (7.9375)	80°	.0005 (12)	510	784	32	1/2 (12.700)
1.5000 (38.100)	0 (-0.2)	1.1039 (28.04)	0 (-0.2)	.0559 (1.422)	1.0590 (26.899)	.375 (9.5250)	80°	.0005 (12)	774	1,180	64	5/8 (15.875)
1.6250 (41.275)	0 (-0.3)	1.1657 (29.61)	0 (-0.3)	.0559 (1.422)	1.1760 (29.870)	.4375 (11.1125)	60°	.0006 (15)	862	1,370	86	3/4 (19.050)
2.2500 (57.150)	0 (-0.12)	1.7547 (44.57)	0 (-0.12)	.0679 (1.727)	1.4687 (37.306)	.5625 (14.2875)	50°	.0008 (20)	980	1,570	190	1 (25.400)
2.6250 (66.675)	0 (-0.3)	2.0047 (50.92)	0 (-0.3)	.0679 (1.727)	1.8859 (47.904)	.625 (15.875)	50°	.0008 (20)	1,570	2,740	390	1-1/4 (31.750)
3.0000 (76.200)	0 (-0.4)	2.4118 (61.26)	0 (-0.4)	.0859 (2.184)	2.2389 (56.870)	.75 (19.05)	50°	.0010 (25)	2,180	4,020	610	1-1/2 (38.100)
4.0000 (101.600)	0 (-0.4)	3.1917 (81.07)	0 (-0.4)	.1029 (2.616)	2.8379 (72.085)	1.0 (25.40)	50°	.0010 (25)	3,820	7,940	1,120	2 (50.800)
5.0000 (127.000)	0 (-0.4)	3.9760 (100.99)	0 (-0.4)	.1200 (3.048)	3.5519 (90.220)	1.25 (31.75)	50°	.0010 (25)	4,700	10,000	2,230	2-1/2 (63.500)
6.0000 (152.400)	0 (-0.4)	4.726 (120.04)	0 (-0.4)	.1200 (3.048)	4.3100 (109.474)	1.5 (38.10)	50°	.0012 (30)	7,350	16,000	3,750	3 (76.200)
8.0000 (203.200)	0 (-0.4)	6.258 (158.95)	0 (-0.4)	.1389 (3.530)	5.745 (145.923)	2.0 (50.80)	50°	.0012 (30)	14,100	34,800	8,740	4 (101.60)

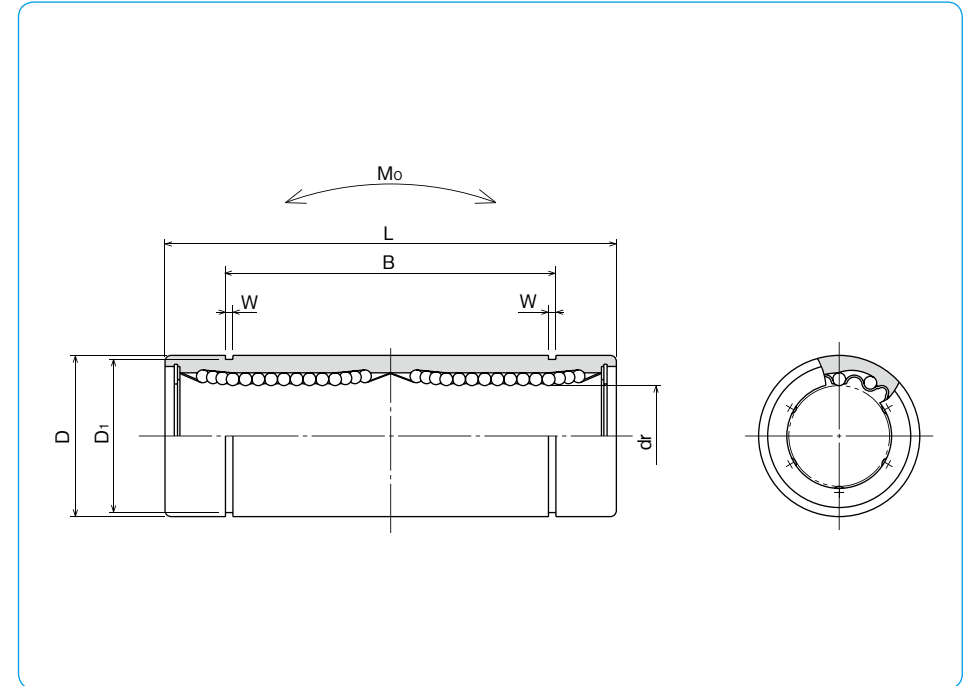
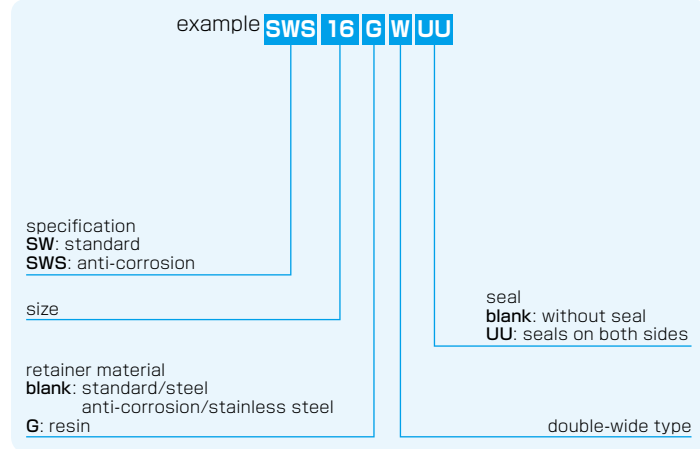
1N≒0.225lbf 1kg≒2.205lbs

# SW-W TYPE (Inch Standard)

- Double-Wide Type -



### part number structure



part number		number of ball circuits	major dimensions				
standard	anti-corrosion		dr	D			
steel retainer	resin retainer	stainless retainer	resin retainer	inch (mm)	tolerance inch/(μm)	inch (mm)	tolerance inch/(μm)
<b>SW 4W</b>	<b>SW 4GW</b>	<b>SWS 4W</b>	<b>SWS 4GW</b>	.2500 (6.350)		.5000 (12.700)	<sup>0</sup> <sub>-.00050 (-13)</sub>
<b>SW 6W</b>	<b>SW 6GW</b>	<b>SWS 6W</b>	<b>SWS 6GW</b>	.3750 (9.525)	<sup>0</sup> <sub>-.00040 (-10)</sub>	.6250 (15.875)	<sup>0</sup> <sub>-.00065 (-16)</sub>
<b>SW 8W</b>	<b>SW 8GW</b>	<b>SWS 8W</b>	<b>SWS 8GW</b>	.5000 (12.700)		.8750 (22.225)	<sup>0</sup> <sub>-.00075 (-19)</sub>
<b>SW 10W</b>	<b>SW 10GW</b>	<b>SWS 10W</b>	<b>SWS 10GW</b>	.6250 (15.875)	<sup>0</sup> <sub>-.00050 (-12)</sub>	1.1250 (28.575)	<sup>0</sup> <sub>-.00090 (-22)</sub>
<b>SW 12W</b>	<b>SW 12GW</b>	<b>SWS 12W</b>	<b>SWS 12GW</b>	.7500 (19.050)		1.2500 (31.750)	<sup>0</sup> <sub>-.00100 (-25)</sub>
<b>SW 16W</b>	<b>SW 16GW</b>	<b>SWS 16W</b>	<b>SWS 16GW</b>	1.0000 (25.400)	<sup>0</sup> <sub>-.00060 (-15)</sub>	1.5625 (39.688)	
<b>SW 20W</b>	<b>SW 20GW</b>	<b>SWS 20W</b>	<b>SWS 20GW</b>	1.2500 (31.750)		2.0000 (50.800)	
<b>SW 24W</b>	<b>SW 24GW</b>	<b>SWS 24W</b>	<b>SWS 24GW</b>	1.5000 (38.100)		2.3750 (60.325)	
<b>SW 32W</b>	<b>SW 32GW</b>	<b>SWS 32W</b>	<b>SWS 32GW</b>	2.0000 (50.800)		3.0000 (76.200)	

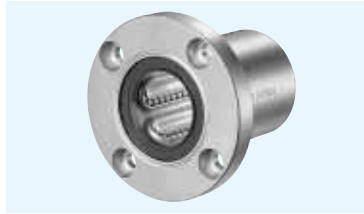
L		B		W	D <sub>1</sub>	eccentricity	basic load rating		allowable static moment	mass	shaft diameter
inch (mm)	tolerance inch/(mm)	inch (mm)	tolerance inch/(mm)				dynamic C N	static Co N			
1.3750 (34.925)		1.0220 (25.959)		.0390 (0.992)	.4687 (11.906)	.0006 (15)	323	530	2.0	17.5	1/4 (6.350)
1.5938 (40.481)		1.2716 (32.298)		.0390 (0.992)	.5880 (14.935)		353	630	2.7	28	3/8 (9.525)
2.3750 (60.325)	<sup>0</sup> <sub>-.012 (-0.3)</sub>	1.9250 (48.895)	<sup>0</sup> <sub>-.012 (-0.3)</sub>	.0459 (1.168)	.8209 (20.853)	.0008 (20)	813	1,570	11.5	80	1/2 (12.700)
2.8125 (71.438)		2.2079 (56.080)		.0559 (1.422)	1.0590 (26.899)		1,230	2,350	20.0	160	5/8 (15.875)
3.0937 (78.581)		2.3314 (59.218)		.0559 (1.422)	1.1760 (29.870)	.0010 (25)	1,370	2,740	26.5	195	3/4 (19.050)
4.2813 (108.744)		3.5094 (89.139)		.0679 (1.727)	1.4687 (37.306)		1,570	3,140	41.2	410	1 (25.400)
5.0000 (127.000)	<sup>0</sup> <sub>-.016 (-0.4)</sub>	4.0094 (101.839)	<sup>0</sup> <sub>-.016 (-0.4)</sub>	.0679 (1.727)	1.8859 (47.904)	.0012 (30)	2,500	5,490	84.8	820	1-1/4 (31.750)
5.6875 (144.463)		4.8236 (122.519)		.0859 (2.184)	2.2389 (56.870)		3,430	8,040	143	1,250	1-1/2 (38.100)
7.7500 (196.850)		6.3834 (162.138)		.1029 (2.616)	2.8379 (72.085)		6,080	15,900	399	2,350	2 (50.800)

1N≒0.225lbf 1N · m≒0.738lb · ft  
 1kg≒2.205lbs



# SWF TYPE (Inch Standard)

– Round Flange Type –



## part number structure

example **SWSF 16 G UU-SK**

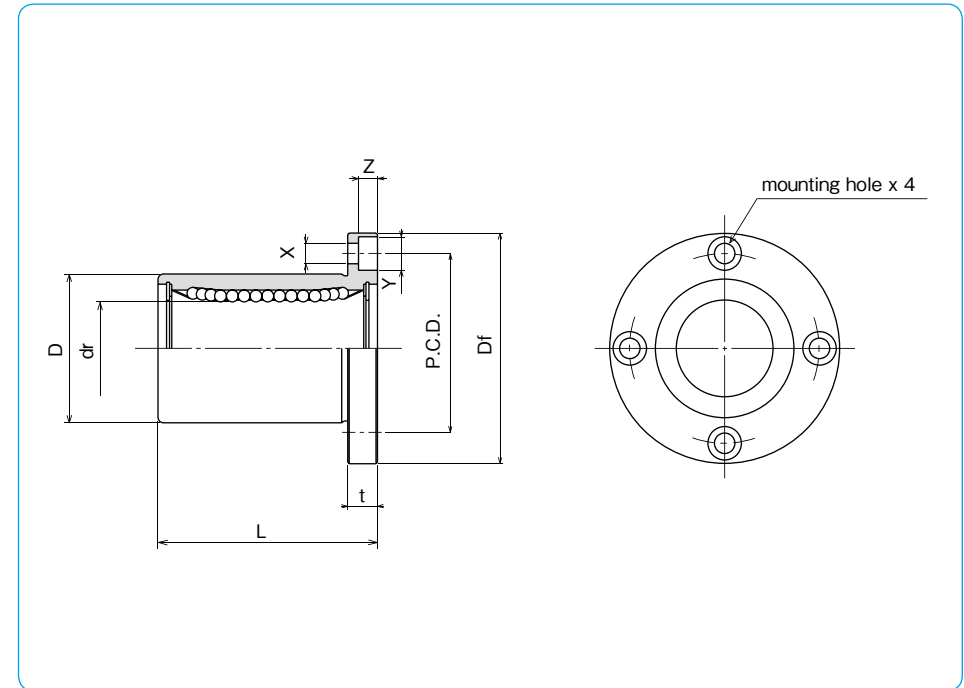
specification  
**SWF**: standard  
**SWSF**: anti-corrosion

size

retainer material  
**blank**: standard/steel  
 anti-corrosion/stainless steel  
**G**: resin

outer cylinder  
 surface treatment  
**blank**: no surface treatment  
**SK**: electroless nickel plating  
**LF**: low temperature black chrome  
 treatment with fluoride coating  
**SB**: black oxide (not available on  
 anti-corrosion type)  
**SC**: industrial chrome plating

seal  
**blank**: without seal  
**UU**: seals on both sides



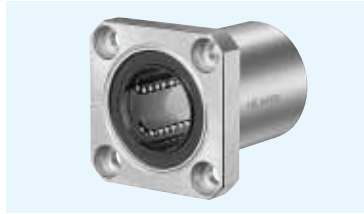
part number				number of ball circuits	major dimensions		
standard steel retainer	anti-corrosion resin retainer	stainless steel retainer	resin retainer		dr	D	L
inch	inch	inch	inch	inch	inch	inch	
SWF 4	SWF 4G	SWSF 4	SWSF 4G	4	.2500 (6.350)	.5000 (12.700)	.7500 (19.050)
SWF 6	SWF 6G	SWSF 6	SWSF 6G	4	.3750 (9.525)	.6250 (15.875)	.8750 (22.225)
SWF 8	SWF 8G	SWSF 8	SWSF 8G	4	.5000 (12.700)	.7500 (19.050)	1.2500 (31.750)
SWF10	SWF10G	SWSF10	SWSF10G	4	.6250 (15.875)	1.1250 (28.575)	1.5000 (38.100)
SWF12	SWF12G	SWSF12	SWSF12G	5	.7500 (19.050)	1.2500 (31.750)	1.6250 (41.275)
SWF16	SWF16G	SWSF16	SWSF16G	6	1.0000 (25.400)	1.5625 (39.688)	2.2500 (57.150)
SWF20	SWF20G	SWSF20	SWSF20G	6	1.2500 (31.750)	2.0000 (50.800)	2.6250 (66.675)
SWF24	SWF24G	SWSF24	SWSF24G	6	1.5000 (38.100)	2.3750 (60.325)	3.0000 (76.200)
SWF32	SWF32G	SWSF32	SWSF32G	6	2.0000 (50.800)	3.0000 (76.200)	4.0000 (101.600)
SWF40	—	—	—	6	2.5000 (63.500)	3.7500 (95.250)	5.0000 (127.000)
SWF48	—	—	—	6	3.0000 (76.200)	4.5000 (114.300)	6.0000 (152.400)
SWF64	—	—	—	6	4.0000 (101.600)	6.0000 (152.400)	8.0000 (203.200)

Df	t	flange		eccentricity	perpendicularity	basic load rating		mass	shaft diameter
		P.C.D.	X × Y × Z			dynamic C	static Co		
inch/(mm)	inch/(mm)	inch/(mm)	inch/(mm)	inch (μm)	inch (μm)	N	N	g	inch (mm)
1.2500 (31.750)	0.219 (5.556)	.8750 (22.225)	.1560 × .2500 × .1410 (3.969 × 6.350 × 3.572)	.0005 (12)	.0005 (12)	206	265	32	1/4 (6.350)
1.5000 (38.100)	.2500 (6.350)	1.0620 (26.988)	.1875 × .2970 × .1720 (4.763 × 7.541 × 4.366)			225	314	47	3/8 (9.525)
1.7500 (44.450)	.2500 (6.350)	1.312 (33.338)	.1875 × .2970 × .1720 (4.763 × 7.541 × 4.366)			510	784	88	1/2 (12.700)
2.0000 (50.800)	.2500 (6.350)	1.5620 (39.688)	.1875 × .2970 × .1720 (4.763 × 7.541 × 4.366)			774	1,180	140	5/8 (15.875)
2.1875 (55.563)	.3125 (7.938)	1.7180 (43.660)	2.187 × .3440 × .2030 (5.556 × 8.731 × 5.159)	.0006 (15)	.0006 (15)	862	1,370	190	3/4 (19.050)
2.5000 (63.500)	.3125 (7.938)	2.0310 (51.594)	2.187 × .3440 × .2030 (5.556 × 8.731 × 5.159)			980	1,570	325	1 (25.400)
3.1250 (79.375)	.3750 (9.525)	2.5625 (65.088)	2.812 × .4060 × .2656 (7.144 × 10.319 × 6.747)	.0008 (20)	.0008 (20)	1,570	2,740	665	1-1/4 (31.750)
3.7500 (95.250)	.5000 (12.700)	3.0625 (77.788)	3.440 × .5000 × .3280 (8.731 × 12.700 × 8.334)			2,180	4,020	1,100	1-1/2 (38.100)
4.3750 (111.125)	.5000 (12.700)	3.6875 (93.662)	3.440 × .5000 × .3280 (8.731 × 12.700 × 8.334)	.0010 (25)	.0010 (25)	3,820	7,940	1,760	2 (50.800)
5.3750 (136.525)	.7500 (19.050)	4.5625 (115.887)	4.062 × .6250 × .3750 (10.319 × 15.875 × 9.525)			4,700	10,000	3,570	2-1/2 (63.500)
6.1250 (155.575)	.7500 (19.050)	5.3125 (134.937)	4.062 × .6250 × .3750 (10.319 × 15.875 × 9.525)			7,350	16,000	5,600	3 (76.200)
8.0000 (203.200)	.8750 (22.225)	7.0000 (177.800)	5.000 × .7125 × .5000 (12.700 × 18.097 × 12.700)	.0012 (30)	.0012 (30)	14,100	34,800	12,000	4 (101.600)

1N ≅ 0.225lbf 1kg ≅ 2.205lbs

# SWK TYPE (Inch Standard)

– Square Flange Type –



## part number structure

example **SWSK 16 G UU-SK**

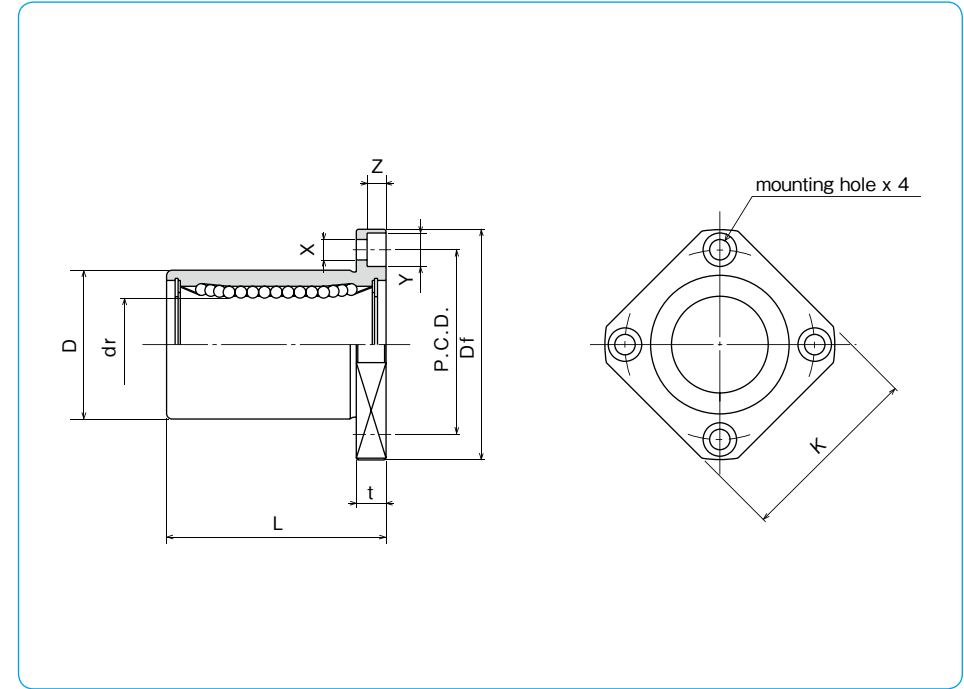
specification  
**SWK**: standard  
**SWSK**: anti-corrosion

size

retainer material  
**blank**: standard/steel  
 anti-corrosion/stainless steel  
**G**: resin

outer cylinder  
 surface treatment  
**blank**: no surface treatment  
**SK**: electroless nickel plating  
**LF**: low temperature black chrome  
 treatment with fluoride coating  
**SB**: black oxide (not available on  
 anti-corrosion type)  
**SC**: industrial chrome plating

seal  
**blank**: without seal  
**UU**: seals on both sides



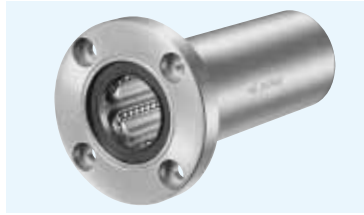
part number		major dimensions		number of ball circuits	dr		D		L ±0.012 (±0.3) inch/(mm)
standard	anti-corrosion	inch	tolerance		inch	tolerance	inch	tolerance	
steel retainer	resin retainer	stainless retainer	resin retainer	(mm)	inch/(μm)	(mm)	inch/(μm)		
<b>SWK 4</b>	<b>SWK 4G</b>	<b>SWSK 4</b>	<b>SWSK 4G</b>	4	.2500 (6.350)	<sup>0</sup> / <sub>-0.0040</sub> (-9)	.5000 (12.700)	<sup>0</sup> / <sub>-0.0050</sub> (-13)	.7500 (19.050)
<b>SWK 6</b>	<b>SWK 6G</b>	<b>SWSK 6</b>	<b>SWSK 6G</b>	4	.3750 (9.525)	<sup>0</sup> / <sub>-0.0040</sub> (-9)	.6250 (15.875)	<sup>0</sup> / <sub>-0.0065</sub> (-16)	.8750 (22.225)
<b>SWK 8</b>	<b>SWK 8G</b>	<b>SWSK 8</b>	<b>SWSK 8G</b>	4	.5000 (12.700)	<sup>0</sup> / <sub>-0.0040</sub> (-9)	.7500 (19.050)	<sup>0</sup> / <sub>-0.0065</sub> (-16)	1.2500 (31.750)
<b>SWK 10</b>	<b>SWK 10G</b>	<b>SWSK 10</b>	<b>SWSK 10G</b>	4	.6250 (15.875)	<sup>0</sup> / <sub>-0.0040</sub> (-9)	1.1250 (28.575)	<sup>0</sup> / <sub>-0.0075</sub> (-19)	1.5000 (38.100)
<b>SWK 12</b>	<b>SWK 12G</b>	<b>SWSK 12</b>	<b>SWSK 12G</b>	5	.7500 (19.050)	<sup>0</sup> / <sub>-0.0040</sub> (-9)	1.2500 (31.750)	<sup>0</sup> / <sub>-0.0075</sub> (-19)	1.6250 (41.275)
<b>SWK 16</b>	<b>SWK 16G</b>	<b>SWSK 16</b>	<b>SWSK 16G</b>	6	1.0000 (25.400)	<sup>0</sup> / <sub>-0.0050</sub> (-12)	1.5625 (39.688)	<sup>0</sup> / <sub>-0.0090</sub> (-22)	2.2500 (57.150)
<b>SWK20</b>	<b>SWK20G</b>	<b>SWSK20</b>	<b>SWSK20G</b>	6	1.2500 (31.750)	<sup>0</sup> / <sub>-0.0050</sub> (-12)	2.0000 (50.800)	<sup>0</sup> / <sub>-0.0100</sub> (-25)	2.6250 (66.675)
<b>SWK24</b>	<b>SWK24G</b>	<b>SWSK24</b>	<b>SWSK24G</b>	6	1.5000 (38.100)	<sup>0</sup> / <sub>-0.0060</sub> (-15)	2.3750 (60.325)	<sup>0</sup> / <sub>-0.0115</sub> (-29)	3.0000 (76.200)
<b>SWK32</b>	<b>SWK32G</b>	<b>SWSK32</b>	<b>SWSK32G</b>	6	2.0000 (50.800)	<sup>0</sup> / <sub>-0.0080</sub> (-20)	3.0000 (76.200)	<sup>0</sup> / <sub>-0.0115</sub> (-29)	4.0000 (101.600)
<b>SWK40</b>	-	-	-	6	2.5000 (63.500)	<sup>0</sup> / <sub>-0.0080</sub> (-20)	3.7500 (95.250)	<sup>0</sup> / <sub>-0.0115</sub> (-29)	5.0000 (127.000)
<b>SWK48</b>	-	-	-	6	3.0000 (76.200)	<sup>0</sup> / <sub>-0.0080</sub> (-20)	4.5000 (114.300)	<sup>0</sup> / <sub>-0.0115</sub> (-29)	6.0000 (152.400)
<b>SWK64</b>	-	-	-	6	4.0000 (101.600)	<sup>0</sup> / <sub>-0.0080</sub> (-20)	6.0000 (152.400)	<sup>0</sup> / <sub>-0.0115</sub> (-29)	8.0000 (203.200)

flange					eccentricity inch (μm)	perpendicularity inch (μm)	basic load rating		mass g	shaft diameter inch (mm)
Df	K	t	P.C.D.	X×Y×Z			dynamic C N	static Co N		
inch/(mm)	inch/(mm)	inch/(mm)	inch/(mm)	inch/(mm)						
1.2500 (31.750)	1.0000 (25.400)	0.219 (5.556)	.8750 (22.225)	.1560 x .2500 x .1410 (3.969 x 6.350 x 3.572)	.0005 (12)	.0005 (12)	206	265	25	1/4 (6.350)
1.5000 (38.100)	1.2500 (31.750)	.2500 (6.350)	1.0620 (26.988)	.1875 x .2970 x .1720 (4.763 x 7.541 x 4.366)			225	314	32	3/8 (9.525)
1.7500 (44.450)	1.3750 (34.925)	.2500 (6.350)	1.312 (33.338)	.1875 x .2970 x .1720 (4.763 x 7.541 x 4.366)			510	784	68	1/2 (12.700)
2.0000 (50.800)	1.5000 (38.100)	.2500 (6.350)	1.5620 (39.688)	.1875 x .2970 x .1720 (4.763 x 7.541 x 4.366)			774	1,180	124	5/8 (15.875)
2.1875 (55.563)	1.6875 (42.863)	.3125 (7.938)	1.7180 (43.660)	2187 x .3440 x .2030 (5.556 x 8.731 x 5.159)	.0006 (15)	.0006 (15)	862	1,370	150	3/4 (19.050)
2.5000 (63.500)	2.0000 (50.800)	.3125 (7.938)	2.0310 (51.594)	2187 x .3440 x .2030 (5.556 x 8.731 x 5.159)			980	1,570	280	1 (25.400)
3.1250 (79.375)	2.5000 (63.500)	.3750 (9.525)	2.5625 (65.088)	2812 x .4060 x .2656 (7.144 x 10.319 x 6.747)			1,570	2,740	580	1-1/4 (31.750)
3.7500 (95.250)	3.0000 (76.200)	.5000 (12.700)	3.0625 (77.788)	3440 x .5000 x .3280 (8.731 x 12.700 x 8.334)			2,180	4,020	930	1-1/2 (38.100)
4.3750 (111.125)	3.5000 (88.900)	.5000 (12.700)	3.6875 (93.662)	3440 x .5000 x .3280 (8.731 x 12.700 x 8.334)	.0008 (20)	.0008 (20)	3,820	7,940	1,580	2 (50.800)
5.3750 (136.525)	4.3750 (111.125)	.7500 (19.050)	4.5625 (115.887)	.4062 x .6250 x .3750 (10.319 x 15.875 x 9.525)			4,700	10,000	3,200	2-1/2 (63.500)
6.1250 (155.575)	5.0000 (127.000)	.7500 (19.050)	5.3125 (134.937)	.4062 x .6250 x .3750 (10.319 x 15.875 x 9.525)			7,350	16,000	5,000	3 (76.200)
8.0000 (203.200)	6.7500 (171.450)	.8750 (22.225)	7.0000 (177.800)	.5000 x .7125 x .5000 (12.700 x 18.097 x 12.700)			.0012 (30)	.0012 (30)	14,100	34,800

1N ≈ 0.225lbf 1kg ≈ 2.205lbf

# SWF-W TYPE (Inch Standard)

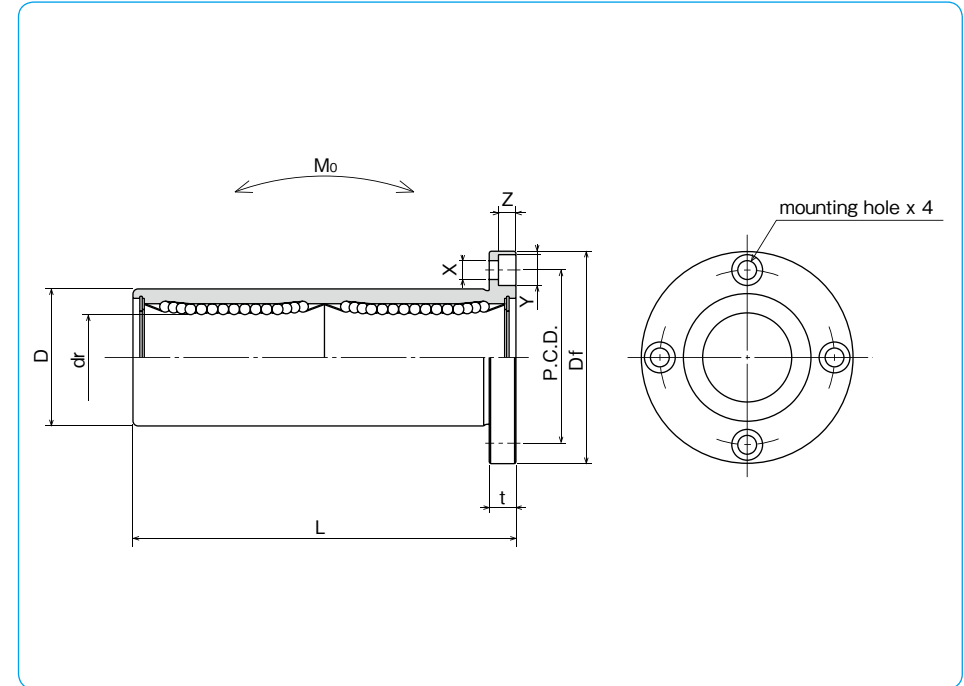
– Round Flange Double-Wide Type –



## part number structure

example **SWSF 16 G W UU -SK**

specification <b>SWF</b> : standard <b>SWSF</b> : anti-corrosion	size	retainer material <b>blank</b> : standard/steel anti-corrosion/stainless steel <b>G</b> : resin	outer cylinder surface treatment <b>blank</b> : no surface treatment <b>SK</b> : electroless nickel plating <b>LF</b> : low temperature black chrome treatment with fluoride coating <b>SB</b> : black oxide (not available on anti-corrosion type) <b>SC</b> : industrial chrome plating	seal <b>blank</b> : without seal <b>UU</b> : seals on both sides	double-wide type
--	------	--	--	--	------------------



part number				number of ball circuits	major dimensions			
standard steel retainer	resin retainer	anti-corrosion stainless retainer	resin retainer		dr		D	
				inch (mm)	tolerance inch/(μm)	inch (mm)	tolerance inch/(μm)	±.012 (±0.3) inch/(mm)
<b>SWF 4W</b>	<b>SWF 4GW</b>	<b>SWSF 4W</b>	<b>SWSF 4GW</b>	4	.2500 (6.350)		.5000 (12.700)	1.3750 (34.925)
<b>SWF 6W</b>	<b>SWF 6GW</b>	<b>SWSF 6W</b>	<b>SWSF 6GW</b>	4	.3750 (9.525)	0 (-10)	.6250 (15.875)	1.5938 (40.481)
<b>SWF 8W</b>	<b>SWF 8GW</b>	<b>SWSF 8W</b>	<b>SWSF 8GW</b>	4	.5000 (12.700)		.8750 (22.225)	2.3750 (60.325)
<b>SWF10W</b>	<b>SWF10GW</b>	<b>SWSF10W</b>	<b>SWSF10GW</b>	4	.6250 (15.875)		1.1250 (28.575)	2.8125 (71.438)
<b>SWF12W</b>	<b>SWF12GW</b>	<b>SWSF12W</b>	<b>SWSF12GW</b>	5	.7500 (19.050)	0 (-12)	1.2500 (31.750)	3.0937 (78.581)
<b>SWF16W</b>	<b>SWF16GW</b>	<b>SWSF16W</b>	<b>SWSF16GW</b>	6	1.0000 (25.400)		1.5625 (39.688)	4.2813 (108.744)
<b>SWF20W</b>	<b>SWF20GW</b>	<b>SWSF20W</b>	<b>SWSF20GW</b>	6	1.2500 (31.750)	0 (-15)	2.0000 (50.800)	5.0000 (127.000)
<b>SWF24W</b>	<b>SWF24GW</b>	<b>SWSF24W</b>	<b>SWSF24GW</b>	6	1.5000 (38.100)		2.3750 (60.325)	5.6875 (144.463)
<b>SWF32W</b>	<b>SWF32GW</b>	<b>SWSF32W</b>	<b>SWSF32GW</b>	6	2.0000 (50.800)		3.0000 (76.200)	7.7500 (196.850)

flange				eccentricity inch (μm)	perpendicularity inch (μm)	basic load rating		allowable static moment Mo N·m	mass g	shaft diameter inch (mm)
Df inch (mm)	t inch (mm)	P.C.D. inch (mm)	X×Y×Z inch (mm)			dynamic C N	static Co N			
1.2500 (31.750)	.2188 (5.556)	.8750 (22.225)	.1563×.2500×.1406 (3.969×6.350×3.572)	.0006 (15)	.0006 (15)	323	530	2.0	40	1/4 (6.350)
1.5000 (38.100)	.2500 (6.350)	1.0625 (26.988)	.1875×.2969×.1719 (4.763×7.541×4.366)			353	630	2.7	60	3/8 (9.525)
1.7500 (44.450)	.2500 (6.350)	1.3125 (33.338)	.1875×.2969×.1719 (4.763×7.541×4.366)			813	1,570	11.5	126	1/2 (12.700)
2.0000 (50.800)	.2500 (6.350)	1.5625 (39.688)	.1875×.2969×.1719 (4.763×7.541×4.366)			1,230	2,350	20.0	215	5/8 (15.875)
2.1875 (55.563)	.3125 (7.938)	1.7188 (43.656)	.2188×.3438×.2031 (5.556×8.731×5.159)	.0008 (20)	.0008 (20)	1,370	2,740	26.5	280	3/4 (19.050)
2.5000 (63.500)	.3125 (7.938)	2.0313 (51.594)	.2188×.3438×.2031 (5.556×8.731×5.159)			1,570	3,140	41.2	515	1 (25.400)
3.1250 (79.375)	.3750 (9.525)	2.5625 (65.088)	.2813×.4063×.2656 (7.144×10.319×6.747)			2,500	5,490	84.8	1,020	1-1/4 (31.750)
3.7500 (95.250)	.5000 (12.700)	3.0625 (77.788)	.3437×.5000×.3281 (8.731×12.700×8.334)	.0010 (25)	.0010 (25)	3,430	8,040	143	1,630	1-1/2 (38.100)
4.3750 (111.125)	.5000 (12.700)	3.6875 (93.662)	.3437×.5000×.3281 (8.731×12.700×8.334)			6,080	15,900	399	2,800	2 (50.800)

1N≒0.225lbf 1N·m≒0.738lb·ft  
1kg≒2.205lbs

# SWK-W TYPE (Inch Standard)

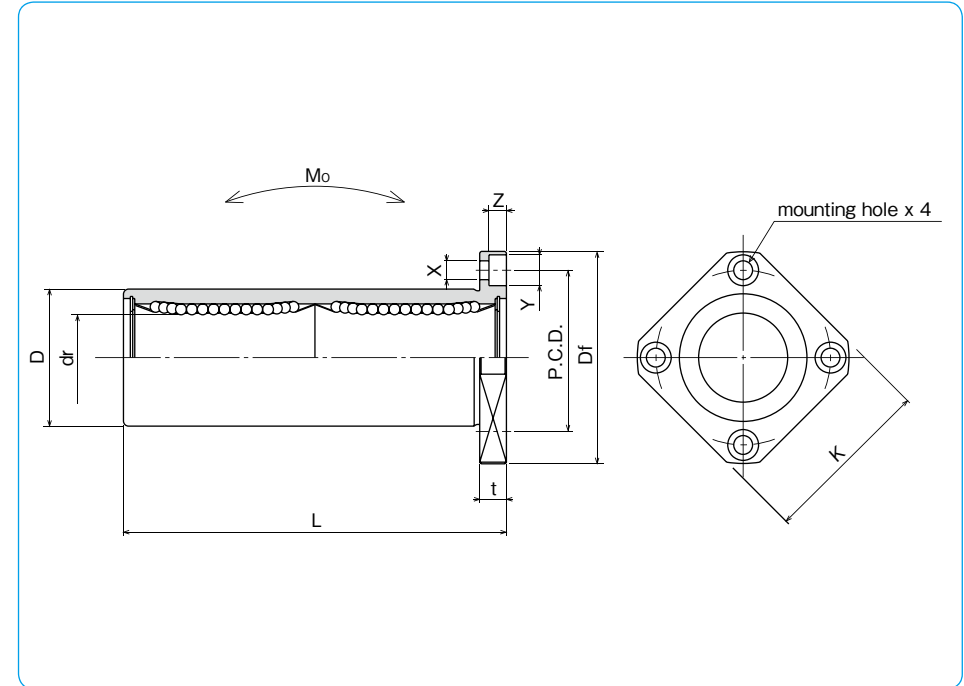
– Square Flange Double-Wide Type –



## part number structure

example **SWSK 16 G W UU -SK**

specification SWK: standard SWSK: anti-corrosion	size	retainer material blank: standard/steel anti-corrosion/stainless steel G: resin	outer cylinder surface treatment blank: no surface treatment SK: electroless nickel plating LF: low temperature black chrome treatment with fluoride coating SB: black oxide (not available on anti-corrosion type) SC: industrial chrome plating	seal blank: without seal UU: seals on both sides	double-wide type
--	------	--	--	--	------------------



part number				number of ball circuits	major dimensions				
standard		anti-corrosion			dr		D		L
steel retainer	resin retainer	stainless retainer	resin retainer	inch (mm)	tolerance inch/(μm)	inch (mm)	tolerance inch/(μm)	±.012 (±0.3) inch/(mm)	
SWK 4W	SWK 4GW	SWSK 4W	SWSK 4GW	.2500 (6.350)		.5000 (12.700)	-.00050 (-13)	1.3750 (34.925)	
SWK 6W	SWK 6GW	SWSK 6W	SWSK 6GW	.3750 (9.525)	0 (-10)	.6250 (15.875)	0	1.5938 (40.481)	
SWK 8W	SWK 8GW	SWSK 8W	SWSK 8GW	.5000 (12.700)		.8750 (22.225)	-.00065 (-16)	2.3750 (60.325)	
SWK 10W	SWK 10GW	SWSK 10W	SWSK 10GW	.6250 (15.875)		1.1250 (28.575)		2.8125 (71.438)	
SWK 12W	SWK 12GW	SWSK 12W	SWSK 12GW	.7500 (19.050)	0 (-10)	1.2500 (31.750)	-.00075 (-19)	3.0937 (78.581)	
SWK 16W	SWK 16GW	SWSK 16W	SWSK 16GW	1.0000 (25.400)		1.5625 (39.688)		4.2813 (108.744)	
SWK 20W	SWK 20GW	SWSK 20W	SWSK 20GW	1.2500 (31.750)	0 (-10)	2.0000 (50.800)	-.00090 (-22)	5.0000 (127.000)	
SWK 24W	SWK 24GW	SWSK 24W	SWSK 24GW	1.5000 (38.100)		2.3750 (60.325)		5.6875 (144.463)	
SWK 32W	SWK 32GW	SWSK 32W	SWSK 32GW	2.0000 (50.800)		3.0000 (76.200)	-.00100 (-25)	7.7500 (196.850)	

flange					eccentricity inch (μm)	perpendicularity inch (μm)	basic load rating		allowable static moment Mo N·m	mass g	shaft diameter inch/(mm)
Df	K	t	P.C.D.	X×Y×Z			dynamic C N	static Co N			
1.2500 (31.750)	1.0000 (25.400)	.2188 (5.556)	.8750 (22.225)	.1563×.2500×.1406 (3.969×6.350×3.572)	.0006 (15)	.0006 (15)	323	530	2.0	33	1/4 (6.350)
1.5000 (38.100)	1.2500 (31.750)	.2500 (6.350)	1.0625 (26.988)	.1875×.2969×.1719 (4.763×7.541×4.366)			353	630	2.7	45	3/8 (9.525)
1.7500 (44.450)	1.3750 (34.925)	.2500 (6.350)	1.3125 (33.338)	.1875×.2969×.1719 (4.763×7.541×4.366)			813	1,570	11.5	106	1/2 (12.700)
2.0000 (50.800)	1.5000 (38.100)	.2500 (6.350)	1.5625 (39.688)	.1875×.2969×.1719 (4.763×7.541×4.366)			1,230	2,350	20.0	200	5/8 (15.875)
2.1875 (55.563)	1.6875 (42.863)	.3125 (7.938)	1.7188 (43.656)	.2188×.3438×.2031 (5.556×8.731×5.159)	.0008 (20)	.0008 (20)	1,370	2,740	26.5	240	3/4 (19.050)
2.5000 (63.500)	2.0000 (50.800)	.3125 (7.938)	2.0313 (51.594)	.2188×.3438×.2031 (5.556×8.731×5.159)			1,570	3,140	41.2	470	1 (25.400)
3.1250 (79.375)	2.5000 (63.500)	.3750 (9.525)	2.5625 (65.088)	.2813×.4063×.2656 (7.144×10.319×6.747)			2,500	5,490	84.8	935	1-1/4 (31.750)
3.7500 (95.250)	3.0000 (76.200)	.5000 (12.700)	3.0625 (77.788)	.3437×.5000×.3281 (8.731×12.700×8.334)			3,430	8,040	143	1,460	1-1/2 (38.100)
4.3750 (111.125)	3.5000 (88.900)	.5000 (12.700)	3.6875 (93.662)	.3437×.5000×.3281 (8.731×12.700×8.334)	.0012 (30)	.0012 (30)	6,080	15,900	399	2,620	2 (50.800)

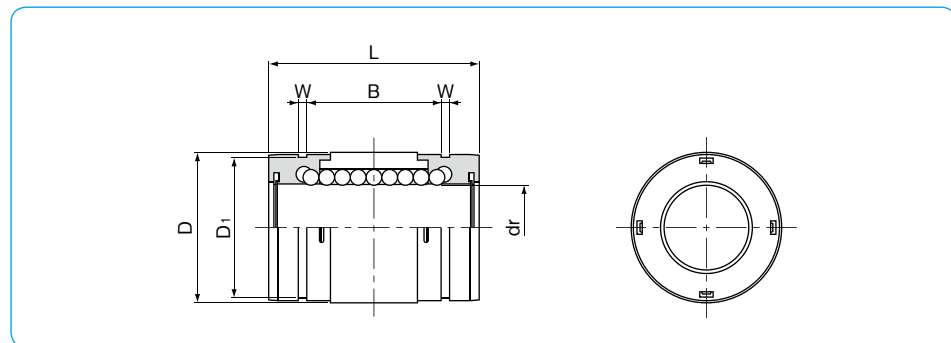
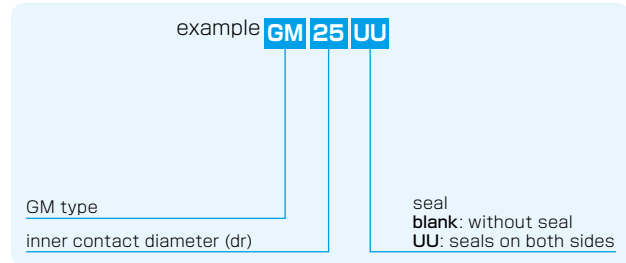
1N≒0.225lbf 1N·m≒0.738lb·ft  
1kg≒2.205lbs

# GM TYPE

– Single Type –



## part number structure



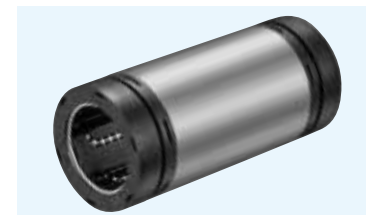
part number	number of ball circuits	dr mm	major dimensions						basic load rating dynamic C N	static Co N	mass g		
			tolerance $\mu\text{m}$	D mm	tolerance $\mu\text{m}$	L mm	B mm	W mm				D <sub>1</sub> mm	
GM 6	4	6	0	12	0	19	11.3	1.1	11.5	206	265	5	
GM 8	4	8		15	-11	24	15.3	1.1	14.3	274	392	10	
GM10	4	10		19	-9	29	19.4	1.3	18	372	549	18	
GM12	4	12		21		0	30	20.4	1.3	20	510	784	23
GM13	4	13		23		-13	32	20.4	1.3	22	510	784	27
GM16	4	16		28		37	23.3	1.6	27	774	1,180	45	
GM20	6	20		32	0	42	27.3	1.6	30.5	882	1,370	70	
GM25	6	25		40		0	59	37.3	1.85	38	980	1,570	150
GM30	6	30		45		-16	64	40.8	1.85	43	1,570	2,740	180

GM-AJ type (clearance adjustable type) is also manufactured. Please contact NB for details.

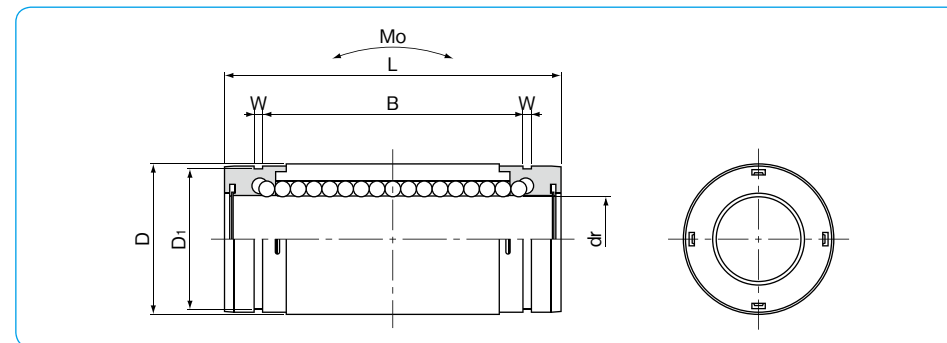
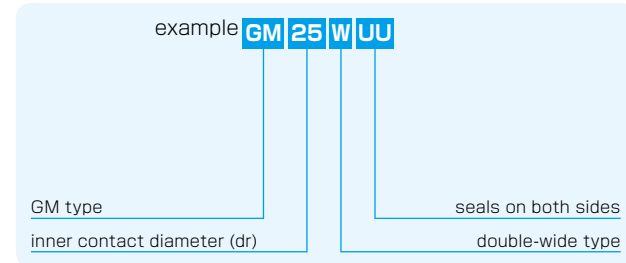
1N $\approx$ 0.102kgf

# GM-W TYPE

– Double-Wide Type –



## part number structure

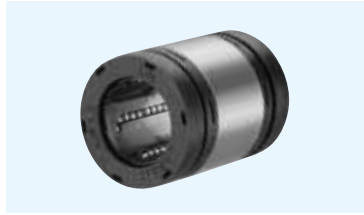


part number	number of ball circuits	dr mm	tolerance $\mu\text{m}$	major dimensions						basic load rating dynamic C N	static Co N	allowable static moment Mo N·m	mass g	
				D mm	tolerance $\mu\text{m}$	L mm	B mm	W mm	D <sub>1</sub> mm					
GM 6W UU	4	6	0	12	0	28	20.3	1.1	11.5	323	530	1.5	9	
GM 8W UU	4	8		15	-13	36	27.3	1.1	14.3	431	784	3.3	18	
GM10W UU	4	10		19	-10	41	31.4	1.3	18	588	1,100	5.0	31	
GM12W UU	4	12		21		0	46	36.4	1.3	20	813	1,570	7.6	42
GM13W UU	4	13		23		-16	48	36.4	1.3	22	813	1,570	8.1	50
GM16W UU	4	16		28		53	39.3	1.6	27	1,230	2,350	13.8	76	
GM20W UU	6	20		32	0	65	50.3	1.6	30.5	1,400	2,740	20.0	130	
GM25W UU	6	25		40		0	91	69.3	1.85	38	1,560	3,140	34.8	280
GM30W UU	6	30		45		-19	99	75.8	1.85	43	2,490	5,490	57.5	334

\*UU type is standard.

1N $\approx$ 0.102kgf 1N·m $\approx$ 0.102kgf·m

**GW TYPE** (Inch Standard)  
 – Single Type –



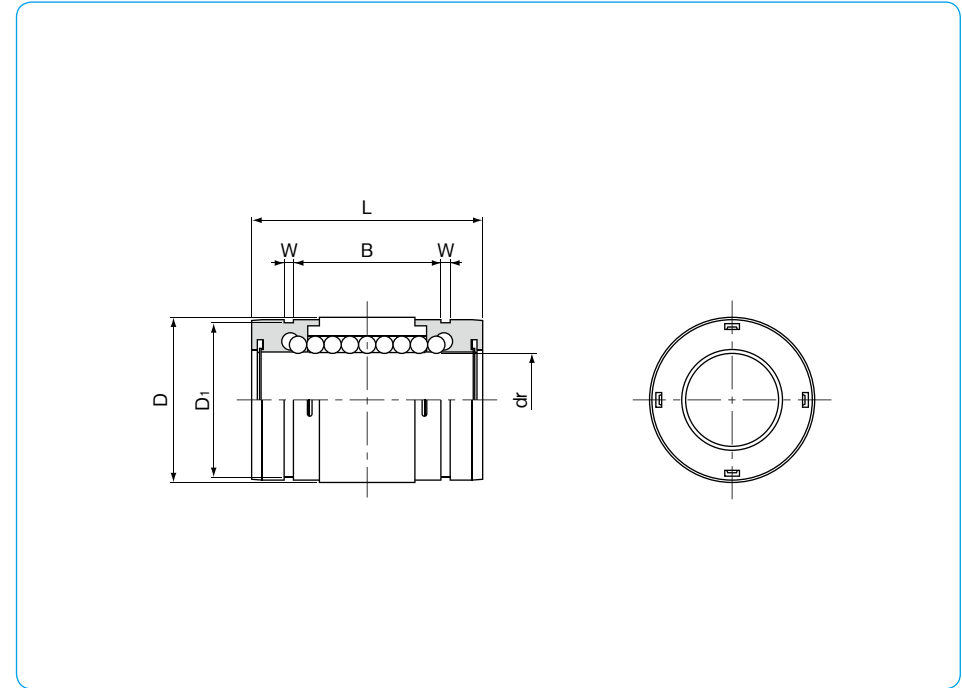
part number structure

example **GW 16 UU**

GW type

size

seal  
**blank**: without seal  
**UU**: seals on both sides



part number	number of ball circuits	major dimensions				
		dr		D		L
		inch/(mm)	tolerance inch/( $\mu$ m)	inch/(mm)	tolerance inch/( $\mu$ m)	inch/(mm)
<b>GW 4</b>	4	.2500 (6.350)	0 -0.00040 (-10)	.5000 (12.700)	0 -0.00045 (-11)	.7500 (19.050)
<b>GW 6</b>	4	.3750 (9.525)		.6250 (15.875)	0 -0.00050 (-13)	.8750 (22.225)
<b>GW 8</b>	4	.5000 (12.700)		.8750 (22.225)		1.2500 (31.750)
<b>GW10</b>	4	.6250 (15.875)		1.1250 (28.575)	1.5000 (38.100)	
<b>GW12</b>	6	.7500 (19.050)		1.2500 (31.750)	0 -0.00065 (-16)	1.6250 (41.275)
<b>GW16</b>	6	1.0000 (25.400)		1.5625 (39.688)	2.2500 (57.150)	
<b>GW20</b>	6	1.2500 (31.750)		2.0000 (50.800)	0 -0.00075 (-19)	2.6250 (66.675)

			basic load rating		
B	W	D <sub>1</sub>	dynamic C	static C <sub>0</sub>	mass
inch/(mm)	inch/(mm)	inch/(mm)	N	N	g
.4329 (10.996)	.0390 (0.992)	.4687 (11.906)	206	265	5.4
.5577 (14.166)	.0390 (0.992)	.5880 (14.935)	225	314	7.8
.8710 (22.123)	.0459 (1.168)	.8209 (20.853)	510	784	26
.9920 (25.197)	.0559 (1.422)	1.0590 (26.899)	774	1,180	51
1.0538 (26.767)	.0559 (1.422)	1.1760 (29.870)	862	1,370	72
1.6187 (41.115)	.0679 (1.727)	1.4687 (37.306)	980	1,570	138
1.8687 (47.465)	.0679 (1.727)	1.8859 (47.904)	1,570	2,740	269

1N≐0.225lbf 1kg≐2.205lbs

# SMA TYPE

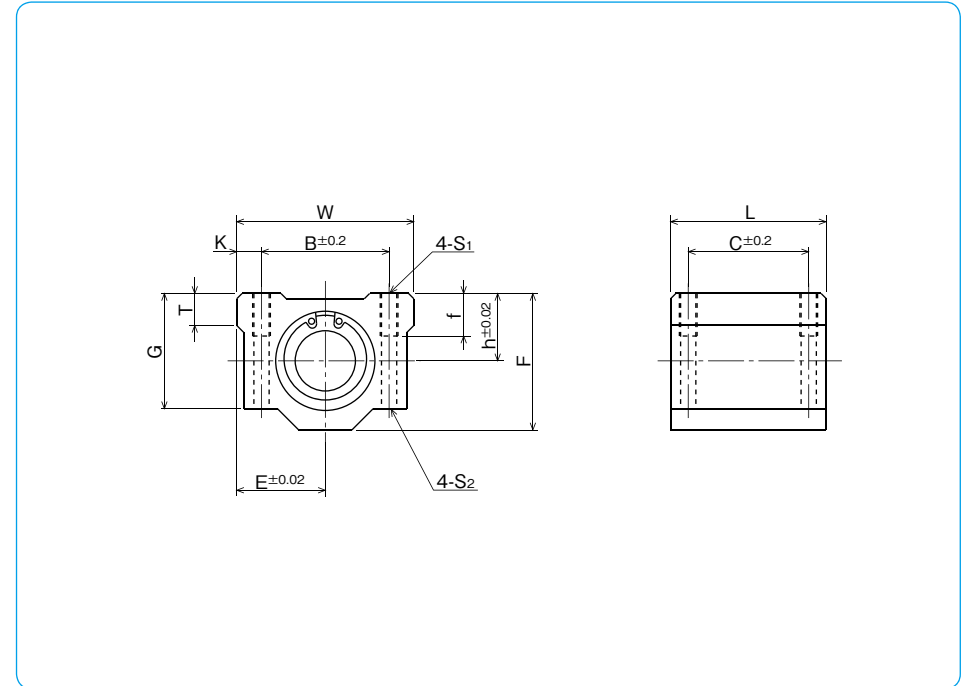
– Block Type –



## part number structure

example **SMSA 25 G UU**

specification SMA: standard SMSA: anti-corrosion	inner contact diameter	retainer material blank: standard/steel anti-corrosion/stainless steel G: resin	seal blank: without seal UU: seals on both sides
--	------------------------	--	--



part number	inner contact diameter		major dimensions						
	mm	tolerance μm	h mm	E mm	W mm	L mm	F mm	G mm	T mm
SMA 3GUU	3		5	8	16	13	10	8	—
SMA 4GUU	4	0	5.5	8.5	17	15	11	9	—
SMA 5GUU	5	- 8	7	11	22	18	14	11	—
SMA 6GUU	6		9	15	30	25	18	15	6
SMA 8GUU	8		11	17	34	30	22	18	6
SMA 10GUU	10	0	13	20	40	35	26	21	8
SMA 12GUU	12	- 9	15	21	42	36	28	24	8
SMA 13GUU	13		15	22	44	39	30	24.5	8
SMA 16GUU	16		19	25	50	44	38.5	32.5	9
SMA 20GUU	20		21	27	54	50	41	35	11
SMA 25GUU	25	0	26	38	76	67	51.5	42	12
SMA 30GUU	30	-10	30	39	78	72	59.5	49	15
SMA 35GUU	35		34	45	90	80	68	54	18
SMA 40GUU	40	0	40	51	102	90	78	62	20
SMA 50GUU	50	-12	52	61	122	110	102	80	25
SMA 60GUU	60	0/-15	58	66	132	122	114	94	30

mounting dimensions						basic load rating		* mass g	shaft diameter mm
B mm	C mm	K mm	S <sub>1</sub>	f mm	S <sub>2</sub> mm	dynamic C N	static Co N		
11	8	2.5	M2	—	—	69	105	5	3
12	10	2.5	M3	—	—	88	127	7	4
16	12	3	M3	—	—	167	206	14	5
20	15	5	M4	8	3.4	206	265	34	6
24	18	5	M4	8	3.4	274	392	52	8
28	21	6	M5	12	4.3	372	549	92	10
30.5	26	5.75	M5	12	4.3	510	784	102	12
33	26	5.5	M5	12	4.3	510	784	120	13
36	34	7	M5	12	4.3	774	1,180	200	16
40	40	7	M6	12	5.2	882	1,370	255	20
54	50	11	M8	18	7	980	1,570	600	25
58	58	10	M8	18	7	1,570	2,740	735	30
70	60	10	M8	18	7	1,670	3,140	1,100	35
80	60	11	M10	25	8.7	2,160	4,020	1,590	40
100	80	11	M10	25	8.7	3,820	7,940	3,340	50
108	90	12	M12	25	10.7	4,700	10,000	4,270	60

\* Mass of resin retainer type

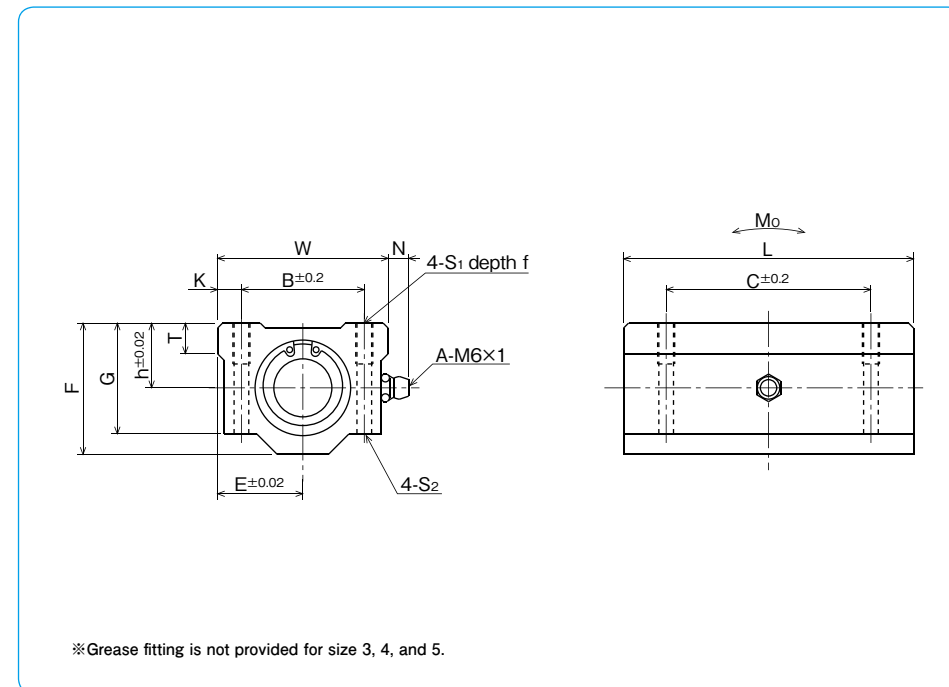
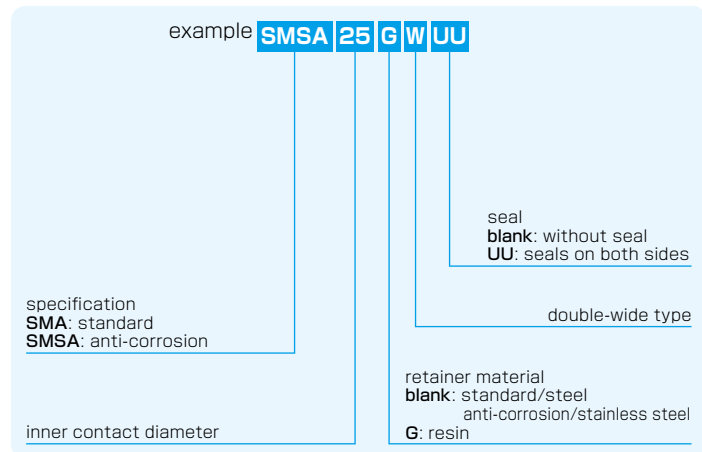
1N≒0.102kgf

# SMA-W TYPE

– Double-Wide Block Type –



## part number structure



part number	inner contact diameter		major dimensions							
	mm	tolerance μm	h mm	E mm	W mm	L mm	F mm	G mm	T mm	N mm
SMA 3GWUU	3	0 - 8	5	8	16	23	10	8	—	—
SMA 4GWUU	4		5.5	8.5	17	27	11	9	—	—
SMA 5GWUU	5		7	11	22	33	14	11	—	—
SMA 6GWUU	6	0 - 9	9	15	30	48	18	15	6	7
SMA 8GWUU	8		11	17	34	58	22	18	6	7
SMA 10GWUU	10		13	20	40	68	26	21	8	7
SMA 12GWUU	12		15	21	42	70	28	24	8	6.5
SMA 13GWUU	13		15	22	44	75	30	24.5	8	6.5
SMA 16GWUU	16		19	25	50	85	38.5	32.5	9	6
SMA 20GWUU	20	0 - 10	21	27	54	96	41	35	11	7
SMA 25GWUU	25		26	38	76	130	51.5	42	12	4
SMA 30GWUU	30		30	39	78	140	59.5	49	15	5
SMA 35GWUU	35	0 - 12	34	45	90	155	68	54	18	5.5
SMA 40GWUU	40		40	51	102	175	78	62	20	5
SMA 50GWUU	50		52	61	122	215	102	80	25	5
SMA 60GWUU	60	0/-15	58	66	132	240	114	94	30	5

mounting dimensions						basic load rating		allowable static moment Mo N·m	※ mass g	shaft diameter mm
B mm	C mm	K mm	S <sub>1</sub>	f mm	S <sub>2</sub> mm	dynamic C N	static Co N			
11	16	2.5	M2	—	—	108	206	0.49	10	3
12	20	2.5	M3	—	—	137	255	0.72	13	4
16	25	3	M3	—	—	265	412	1.54	27	5
20	36	5	M4	8	3.4	323	530	2.18	63	6
24	42	5	M4	8	3.4	431	784	4.31	102	8
28	46	6	M5	12	4.3	588	1,100	7.24	180	10
30.5	50	5.75	M5	12	4.3	813	1,570	10.9	205	12
33	50	5.5	M5	12	4.3	813	1,570	11.6	240	13
36	60	7	M5	12	4.3	1,230	2,350	19.7	400	16
40	70	7	M6	12	5.2	1,400	2,740	26.8	570	20
54	100	11	M8	18	7	1,560	3,140	43.4	1,200	25
58	110	10	M8	18	7	2,490	5,490	82.8	1,480	30
70	120	10	M8	18	7	2,650	6,270	110	2,200	35
80	140	11	M10	25	8.7	3,430	8,040	147	3,200	40
100	160	11	M10	25	8.7	6,080	15,900	397	6,700	50
108	180	12	M12	25	10.7	7,550	20,000	530	8,560	60

\* Mass of resin retainer type

1N≒0.102kgf 1N·m≒0.102kgf·m



# AK TYPE

– Compact Block Type –



## part number structure

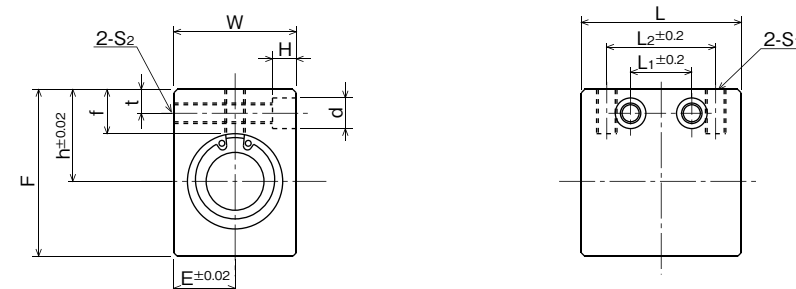
example **AKS 25 G UU**

specification  
**AK**: standard  
**AKS**: anti-corrosion

seal  
**blank**: without seal  
**UU**: seals on both sides

retainer material  
**blank**: standard/steel  
 anti-corrosion/stainless steel  
**G**: resin

inner contact diameter



part number	inner contact diameter		outer dimensions							major dimensions		
	mm	tolerance μm	h mm	E mm	W mm	L mm	F mm	L <sub>2</sub> mm	S <sub>1</sub>			
<b>AK 6GUU</b>	6	0 - 9	14	8	16	27	22	18	M4			
<b>AK 8GUU</b>	8		16	10	20	32	26	20	M5			
<b>AK 10GUU</b>	10		19	13	26	39	32	27	M6			
<b>AK 12GUU</b>	12		20	14	28	40	34	27	M6			
<b>AK 13GUU</b>	13		25	15	30	42	43	28	M6			
<b>AK 16GUU</b>	16		27	18	36	47	49	32	M6			
<b>AK 20GUU</b>	20	0 - 10	31	21	42	52	54	36	M8			
<b>AK 25GUU</b>	25		37	26	52	69	65	42	M10			
<b>AK 30GUU</b>	30		40	29	58	74	71	44	M10			

mounting dimensions						basic load rating		* mass g	shaft diameter mm
f mm	L <sub>1</sub> mm	t mm	S <sub>2</sub>	d mm	H mm	dynamic C N	static Co N		
8	9	5	M4	6	5	206	265	21.5	6
8.5	10	5	M4	6	5	274	392	40	8
9.5	15	6	M5	8	6	372	549	80	10
9.5	15	6	M5	8	6	510	784	90	12
13.5	16	7	M6	9	7	510	784	132	13
13	18	7	M6	9	7	774	1,180	204	16
15	18	8	M8	11	8	882	1,370	272	20
17	22	9	M10	14	10	980	1,570	574	25
17.5	22	9	M10	14	10	1,570	2,740	710	30

\* Mass of resin retainer type

1N≐0.102kgf

# AK-W TYPE

– Double-Wide Compact Block Type –



## part number structure

example **AKS25GWUU**

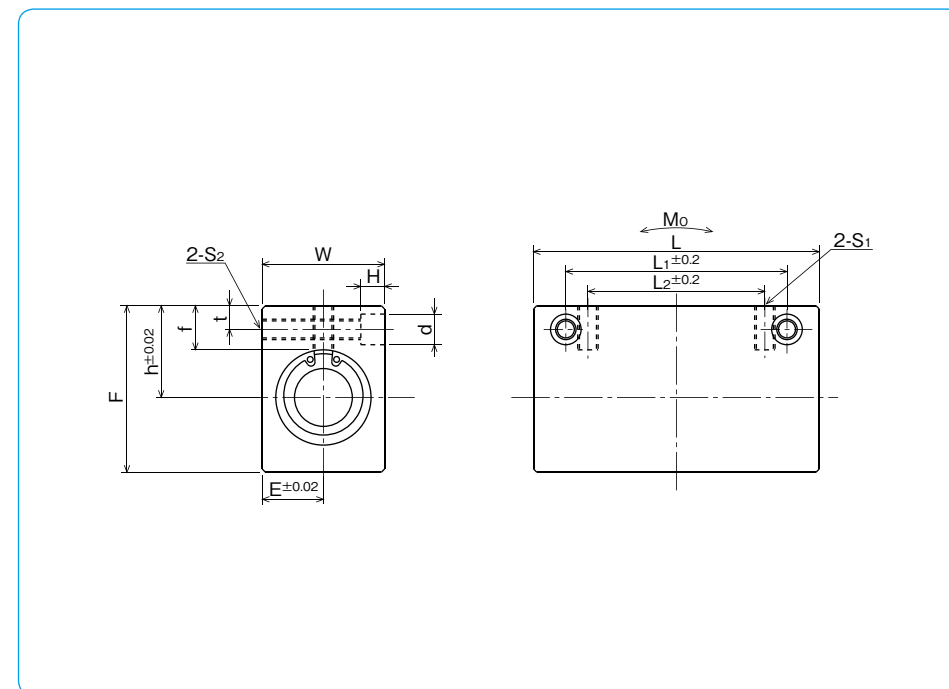
specification  
**AK**: standard  
**AKS**: anti-corrosion

inner contact diameter

retainer material  
**blank**: standard/steel  
 anti-corrosion/stainless steel  
**G**: resin

seal  
**blank**: without seal  
**UU**: seals on both sides

double-wide type



part number	inner contact diameter		outer dimensions				major dimensions		
	mm	tolerance μm	h mm	E mm	W mm	L mm	F mm	L <sub>2</sub> mm	S <sub>1</sub>
<b>AK 6GWUU</b>	6	0 - 9	14	8	16	46	22	20	M4
<b>AK 8GWUU</b>	8		16	10	20	56	26	30	M5
<b>AK10GWUU</b>	10		19	13	26	68	32	36	M6
<b>AK12GWUU</b>	12		20	14	28	70	34	36	M6
<b>AK13GWUU</b>	13		25	15	30	74	43	42	M6
<b>AK16GWUU</b>	16		27	18	36	84	49	52	M6
<b>AK20GWUU</b>	20	0 -10	31	21	42	94	54	58	M8
<b>AK25GWUU</b>	25		37	26	52	128	65	80	M10
<b>AK30GWUU</b>	30		40	29	58	138	71	90	M10

mounting dimensions						basic load rating		allowable static moment Mo N · m	* mass g	shaft diameter mm
f mm	L <sub>1</sub> mm	t mm	S <sub>2</sub>	d mm	H mm	dynamic C N	static Co N			
8	30	5	M4	6	5	323	530	2.18	40	6
8.5	42	5	M4	6	5	431	784	4.31	75	8
9.5	50	6	M5	8	6	588	1,100	7.24	150	10
9.5	50	6	M5	8	6	813	1,570	10.9	168	12
13.5	55	7	M6	9	7	813	1,570	11.6	248	13
13	65	7	M6	9	7	1,230	2,350	19.7	383	16
15	70	8	M8	11	8	1,400	2,740	26.8	520	20
17	100	9	M10	14	10	1,560	3,140	43.4	1,120	25
17.5	110	9	M10	14	10	2,490	5,490	82.8	1,384	30

\* Mass of resin retainer type

1N ≐ 0.102kgf 1N · m ≐ 0.102kgf · m

# SMB TYPE

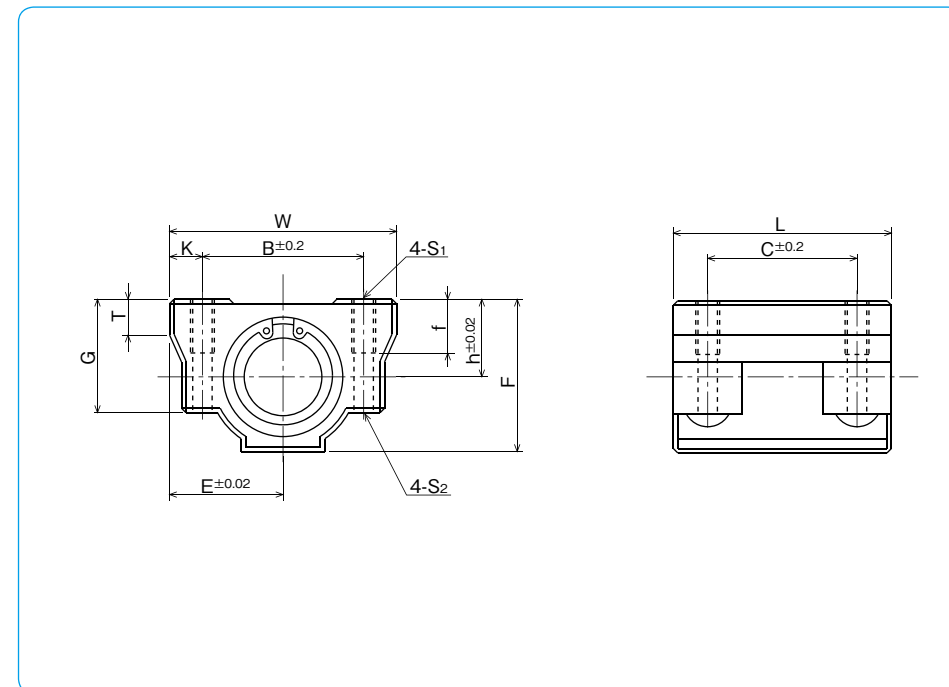
– Block Type –



## part number structure

example **SMSB 25 G UU**

specification SMB: standard SMSB: anti-corrosion	inner contact diameter	retainer material blank: standard/steel anti-corrosion/stainless steel G: resin	seal blank: without seal UU: seals on both sides
--	------------------------	--	--



part number	inner contact diameter		outer dimensions							major dimensions	
	mm	tolerance	h mm	E mm	W mm	L mm	F mm	G mm	T mm		
		μm									
<b>SMB13GUU</b>	13	0	16	22	44	39	31	22	8		
<b>SMB16GUU</b>	16	- 9	19	25	50	49	37	28	9		
<b>SMB20GUU</b>	20	0 -10	21	27	54	55	41	31	11		
<b>SMB25GUU</b>	25		26	38	76	73	51	38	12		
<b>SMB30GUU</b>	30		30	39	78	80	57	45	15		
<b>SMB40GUU</b>	40	0/-12	40	51	102	96	75	59	22		

B mm	C mm	mounting dimensions				basic load rating		* mass g	shaft diameter mm
		K mm	S <sub>1</sub>	f mm	S <sub>2</sub> mm	dynamic C N	static Co N		
33	26	5.5	M5	10	4.3	510	784	120	13
36	34	7	M5	12	4.3	774	1,180	170	16
40	40	7	M6	12	5.1	882	1,370	210	20
54	50	11	M8	18	6.8	980	1,570	500	25
58	58	10	M8	18	6.8	1,570	2,740	600	30
80	60	11	M10	25	8.6	2,160	4,020	1,200	40

\* Mass of resin retainer type

1N≐0.102kgf

# SMP TYPE

– Pillow Block Type –



## part number structure

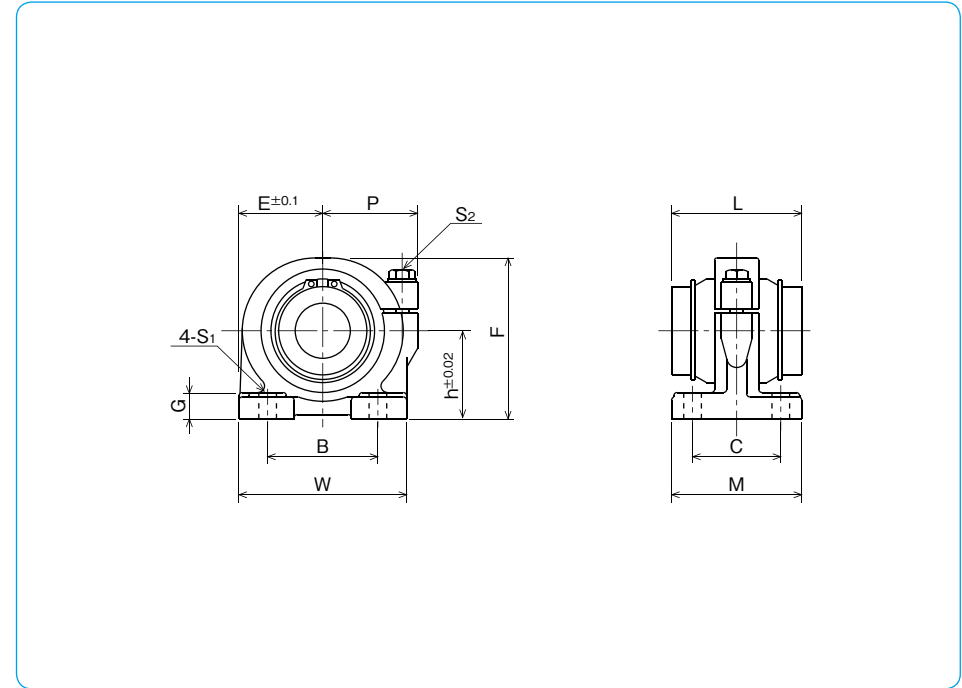
example **SMP 25 G UU**

SMP type

inner contact diameter

seal  
blank: without seal  
UU: seals on both sides

retainer material  
blank: steel  
G: resin



part number	inner contact diameter		outer dimensions							major dimensions	
	mm	tolerance	h mm	E mm	W mm	L mm	F mm	G mm	M mm		
		μm									
<b>SMP13GUU</b>	13	0	25	25	50	32	46	8	36		
<b>SMP16GUU</b>	16	- 9	29	27.5	55	37	53	10	40		
<b>SMP20GUU</b>	20	0	34	32.5	65	42	62	12	48		
<b>SMP25GUU</b>	25	-10	40	38	76	59	73	12	59		
<b>SMP30GUU</b>	30	0	45	42.5	85	64	84	15	69		
<b>SMP35GUU</b>	35	-12	50	49	98	70	94	15	76		
<b>SMP40GUU</b>	40	0	60	62	124	80	112	18	86		
<b>SMP50GUU</b>	50	-12	70	72	144	100	134	20	105		
<b>SMP60GUU</b>	60	0/-15	82	84.5	169	110	154	23	115		

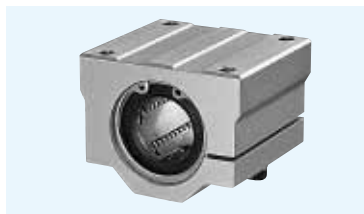
P mm	mounting dimensions			adjustment screw size S <sub>2</sub>	basic load rating		* mass g	shaft diameter mm
	B mm	C mm	S <sub>1</sub> mm		dynamic C N	static Co N		
30	30	26	7 (M5)	M5	510	784	270	13
32	35	29	7 (M5)	M5	774	1,180	380	16
37	40	35	8 (M6)	M6	882	1,370	680	20
43	50	40	8 (M6)	M6	980	1,570	1,000	25
49	58	46	10 (M8)	M8	1,570	2,740	1,400	30
58	62	53	12 (M10)	M10	1,670	3,140	2,100	35
68	76	64	12 (M10)	M10	2,160	4,020	3,700	40
80	100	70	14 (M12)	M12	3,820	7,940	6,100	50
88	115	80	14 (M12)	M12	4,700	10,000	8,700	60

\* Mass of resin retainer type

1N≐0.102kgf

# SMJ TYPE

– Clearance Adjustable Type –



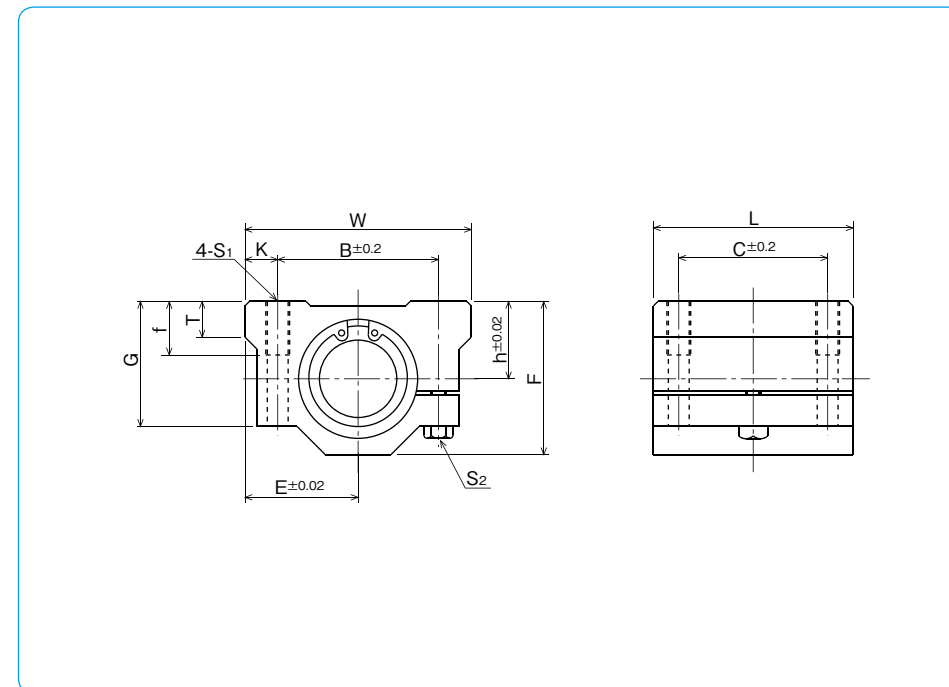
## part number structure

example **SMSJ 25 G UU**

specification SMJ: standard SMSJ: anti-corrosion	inner contact diameter 25	retainer material blank: standard/steel* anti-corrosion/stainless steel* G: resin	seal blank: without seal UU: seals on both sides
--	------------------------------	--	--

\*Size 10 is provided with resin retainer type only.

part number	inner contact diameter mm	major dimensions							
		h mm	E mm	outer dimensions			G mm	T mm	B mm
				W mm	L mm	F mm			
SMJ10GUU	10	13	20	40	35	26	21	8	28
SMJ12GUU	12	15	21	42	36	28	24	8	30.5
SMJ13GUU	13	15	22	44	39	30	24.5	8	33
SMJ16GUU	16	19	25	50	44	38.5	32.5	9	36
SMJ20GUU	20	21	27	54	50	41	35	11	40
SMJ25GUU	25	26	38	76	67	51.5	42	12	54
SMJ30GUU	30	30	39	78	72	59.5	49	15	58
SMJ35GUU	35	34	45	90	80	68	54	18	70
SMJ40GUU	40	40	51	102	90	78	62	20	80
SMJ50GUU	50	52	61	122	110	102	80	25	100
SMJ60GUU	60	58	66	132	122	114	94	30	108



mounting dimensions				adjustment screw size S <sub>2</sub>	basic load rating		* mass g	shaft diameter mm
C mm	K mm	S <sub>1</sub>	f mm		dynamic C N	static C <sub>0</sub> N		
21	6	M5	12	M4	372	549	92	10
26	5.75	M5	12	M4	510	784	102	12
26	5.5	M5	12	M4	510	784	120	13
34	7	M5	12	M4	774	1,180	200	16
40	7	M6	12	M5	882	1,370	255	20
50	11	M8	18	M6	980	1,570	600	25
58	10	M8	18	M6	1,570	2,740	735	30
60	10	M8	18	M6	1,670	3,140	1,100	35
60	11	M10	25	M8	2,160	4,020	1,590	40
80	11	M10	25	M8	3,820	7,940	3,340	50
90	12	M12	25	M10	4,700	10,000	4,270	60

\* Mass of resin retainer type

1N≒0.102kgf

# SME TYPE

– Open Block Type –



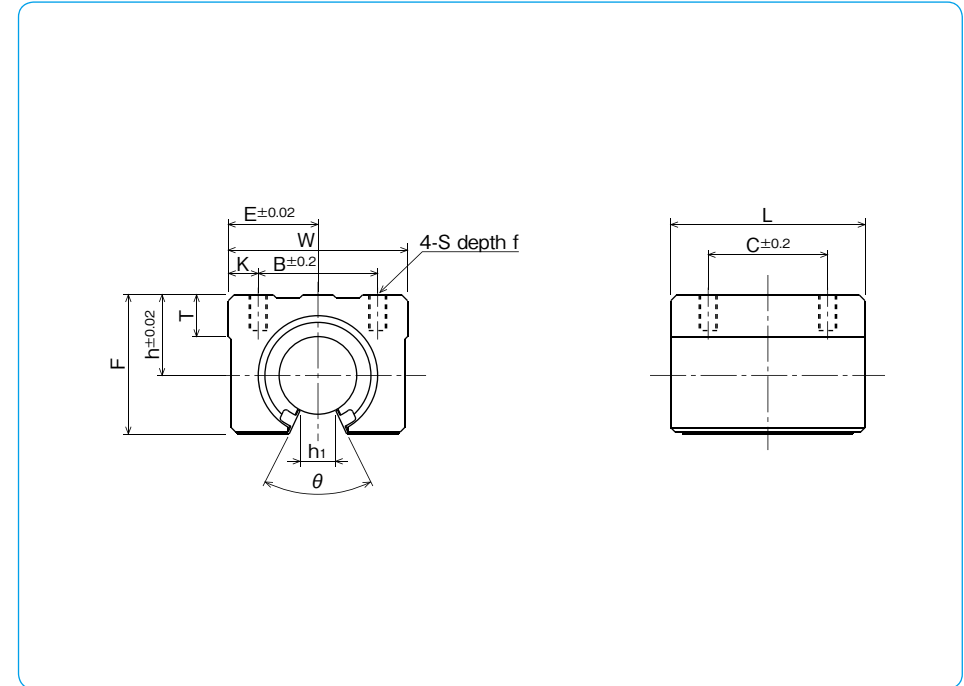
## part number structure

example **SMSE 25 G UU**

specification SME: standard SMSE: anti-corrosion	inner contact diameter	retainer material blank: standard/steel* anti-corrosion/stainless steel* G: resin	seal blank: without seal UU: seals on both sides
--	------------------------	--	--

\*Size 10 is provided with resin retainer type only.

part number	inner contact diameter mm	major dimensions							
		h mm	E mm	W mm	outer dimensions				
					L mm	F mm	T mm	h <sub>1</sub> mm	θ
SME10GUU	10	15	18	36	32	24	7	6	80°
SME13GUU	13	17	20	40	39	28	8	8.5	80°
SME16GUU	16	20	22.5	45	45	33	9	10	80°
SME20GUU	20	23	24	48	50	39	11	10	60°
SME25GUU	25	27	30	60	65	47	14	11.5	50°
SME30GUU	30	33	35	70	70	56	15	14	50°
SME35GUU	35	37	40	80	80	63	18	16	50°
SME40GUU	40	42	45	90	90	72	20	19	50°
SME50GUU	50	53	60	120	110	92	25	23	50°



mounting dimensions					basic load rating		* mass g	shaft diameter mm
B mm	C mm	K mm	S	f mm	dynamic C N	static Co N		
25	20	5.5	M5	10	372	549	65	10
28	26	6	M5	10	510	784	100	13
32	30	6.5	M5	12	774	1,180	150	16
35	35	6.5	M6	12	882	1,370	200	20
40	40	10	M6	12	980	1,570	450	25
50	50	10	M8	18	1,570	2,740	630	30
55	55	12.5	M8	18	1,670	3,140	925	35
65	65	12.5	M10	20	2,160	4,020	1,330	40
94	80	13	M10	20	3,820	7,940	3,000	50

\* Mass of resin retainer type

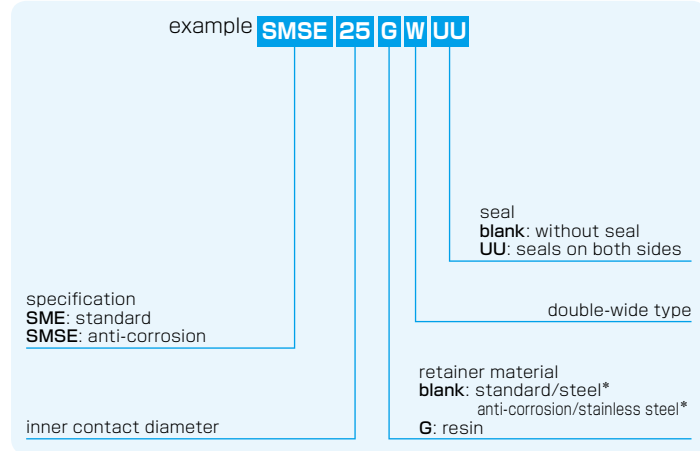
1N≐0.102kgf

# SME-W TYPE

– Double-wide Open Block Type –

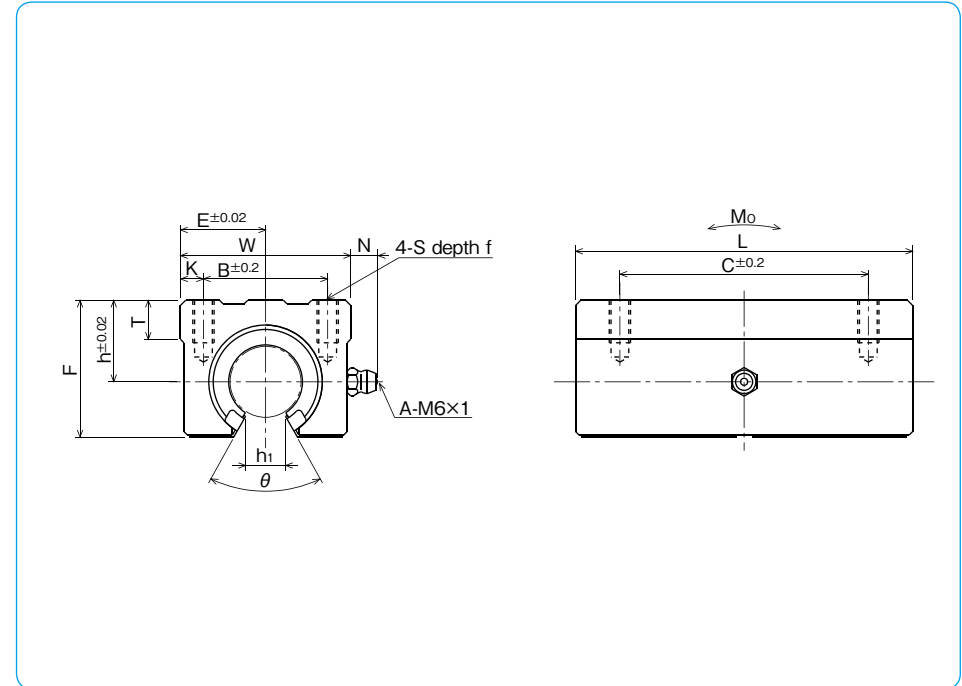


## part number structure



\*Size 10 is provided with resin retainer type only.

part number	inner contact diameter mm	major dimensions								
		h mm	E mm	W mm	outer dimensions			N mm	h <sub>1</sub> mm	θ
					L mm	F mm	T mm			
<b>SME10GWUU</b>	10	15	18	36	65	24	7	7.5	6	80°
<b>SME13GWUU</b>	13	17	20	40	75	28	8	7.5	8.5	80°
<b>SME16GWUU</b>	16	20	22.5	45	85	33	9	7.5	10	80°
<b>SME20GWUU</b>	20	23	24	48	95	39	11	7.5	10	60°
<b>SME25GWUU</b>	25	27	30	60	130	47	14	7.5	11.5	50°
<b>SME30GWUU</b>	30	33	35	70	140	56	15	7.5	14	50°



mounting dimensions					basic load rating		allowable static moment Mo N · m	** mass g	shaft diameter mm
B mm	C mm	K mm	S	f mm	dynamic C N	static Co N			
25	40	5.5	M5	10	588	1,100	4.63	140	10
28	50	6	M5	10	813	1,570	7.42	200	13
32	60	6.5	M5	12	1,230	2,350	12.6	300	16
35	70	6.5	M6	12	1,400	2,740	14.5	400	20
40	90	10	M6	12	1,560	3,140	24.7	900	25
50	100	10	M8	18	2,490	5,490	47.2	1,260	30

\* Mass of resin retainer type

1N ≒ 0.102kgf 1N · m ≒ 0.102kgf · m

# SMD TYPE

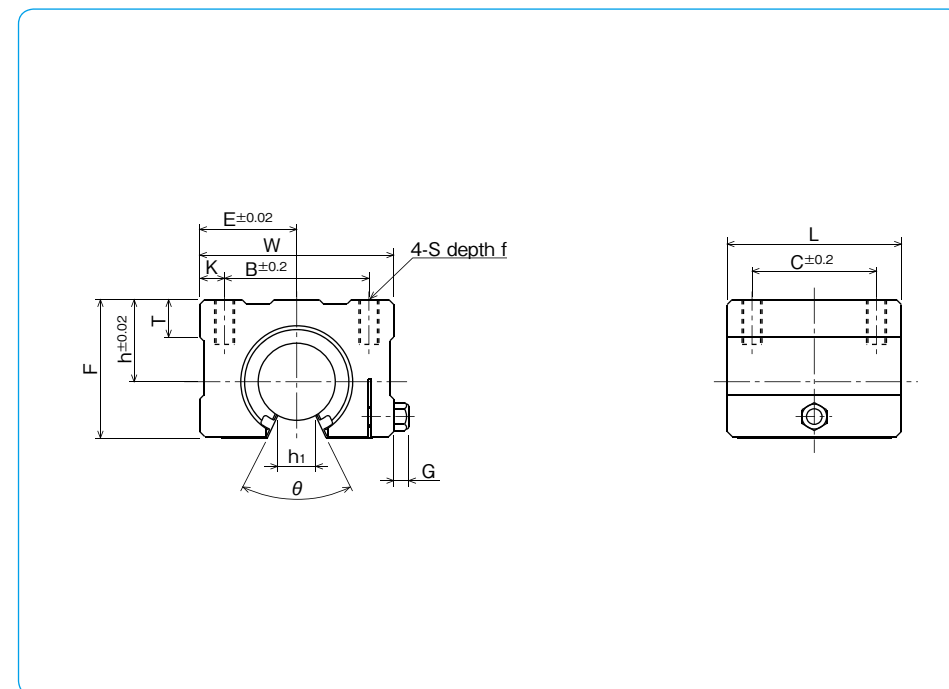
— Open Block with Clearance Adjustable Type —



## part number structure

example **SMSD 25 G UU**

specification <b>SMD</b> : standard <b>SMSD</b> : anti-corrosion	inner contact diameter	retainer material <b>blank</b> : standard/steel anti-corrosion/stainless steel <b>G</b> : resin	seal <b>blank</b> : without seal <b>UU</b> : seals on both sides
--	------------------------	--	--



part number	inner contact diameter mm	h mm	E mm	W mm	outer dimensions				major dimensions		
					L mm	F mm	T mm	G mm	h <sub>1</sub> mm	θ	
<b>SMD16GUU</b>	16	20	25	50	45	33	9	6	10	80°	
<b>SMD20GUU</b>	20	23	27	54	50	39	11	7	10	60°	
<b>SMD25GUU</b>	25	27	38	76	65	47	14	7	11.5	50°	
<b>SMD30GUU</b>	30	33	39	78	70	56	15	7	14	50°	

mounting dimensions					basic load rating		* mass g	shaft diameter mm
B mm	C mm	K mm	S	f mm	dynamic C N	static Co N		
36	30	7	M5	12	774	1,180	170	16
40	35	7	M6	12	882	1,370	240	20
54	40	11	M6	12	980	1,570	580	25
58	50	10	M8	18	1,570	2,740	720	30

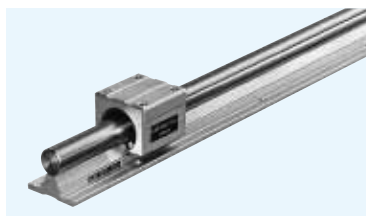
\* Mass of resin retainer type

1N≐0.102kgf

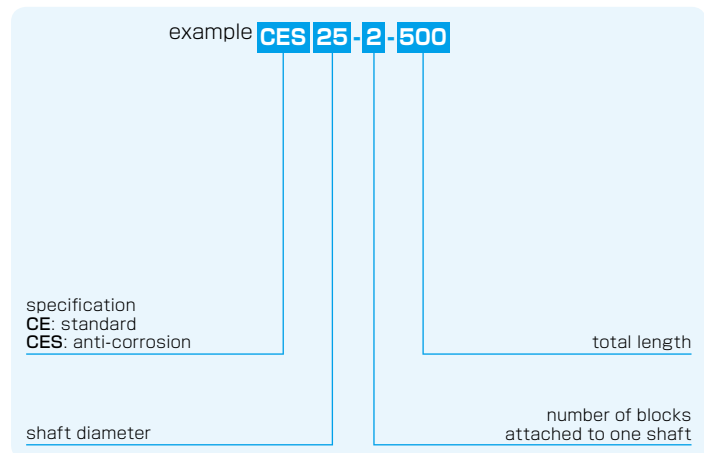


# CE TYPE

- Non-Clearance Adjustable Type -

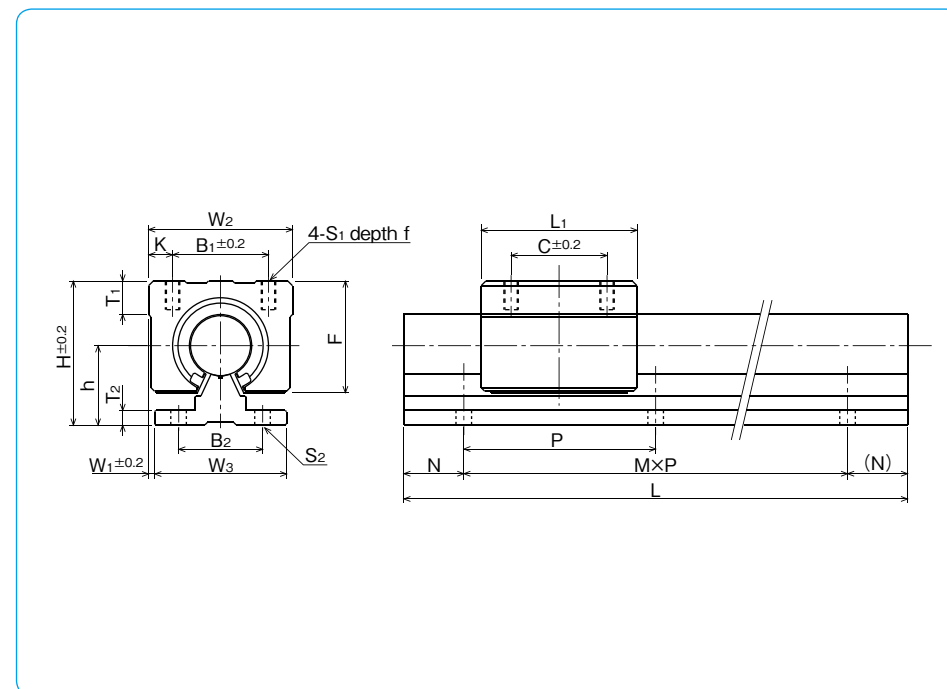


## part number structure



※Inside bush is a resin retainer type with seals.

part number		shaft diameter g6 mm	assembly dimension											major dimensions							
standard	anti-corrosion		H mm	h mm	W <sub>1</sub> mm	W <sub>2</sub> mm	L <sub>1</sub> mm	B <sub>1</sub> mm	C mm	K mm	T <sub>1</sub> mm	f mm	S <sub>1</sub> mm	F mm	W <sub>3</sub> mm	B <sub>2</sub> mm	T <sub>2</sub> mm	P mm	S <sub>2</sub> mm		
<b>CE16</b>	<b>CES16</b>	16	45	25	2.5	45	45	32	30	6.5	9	12	M5	33	40	30	5	150	5.5		
<b>CE20</b>	<b>CES20</b>	20	50	27	1.5	48	50	35	35	6.5	11	12	M6	39	45	30	5	150	5.5		
<b>CE25</b>	<b>CES25</b>	25	60	33	2.5	60	65	40	40	10	14	12	M6	47	55	35	6	200	6.5		
<b>CE30</b>	<b>CES30</b>	30	70	37	5	70	70	50	50	10	15	18	M8	56	60	40	7	200	6.5		

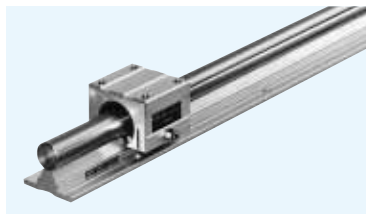


support rail dimensions L (M,N) mm				basic load rating dynamic C N	static Co N	block mass g	rail mass kg/m	size
300 (1,75)	500 (3,25)	800 (5,25)	1,000 (6,50)	774	1,180	150	2.58	<b>16</b>
1,500 (9,75)	1,800 (11,75)	2,000 (13,25)		882	1,370	200	3.49	<b>20</b>
300 (1,50)	500 (2,50)	800 (3,100)	1,000 (4,100)	980	1,570	450	5.31	<b>25</b>
1,500 (7,50)	1,800 (8,100)	2,000 (9,100)		1,570	2,740	630	7.39	<b>30</b>

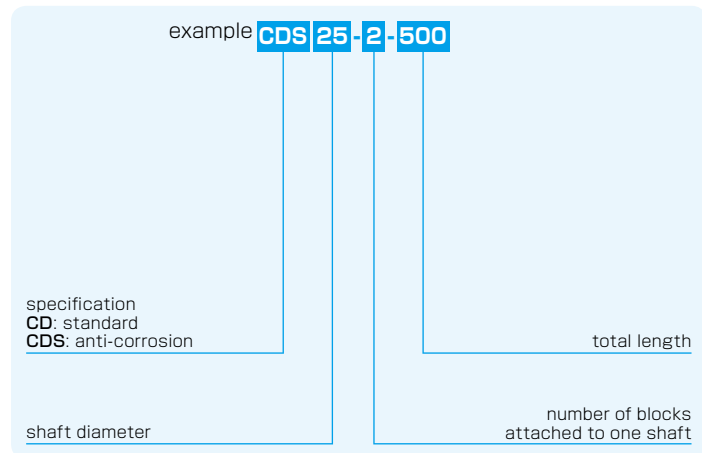
1N≒0.102kgf

# CD TYPE

– Clearance Adjustable Type –

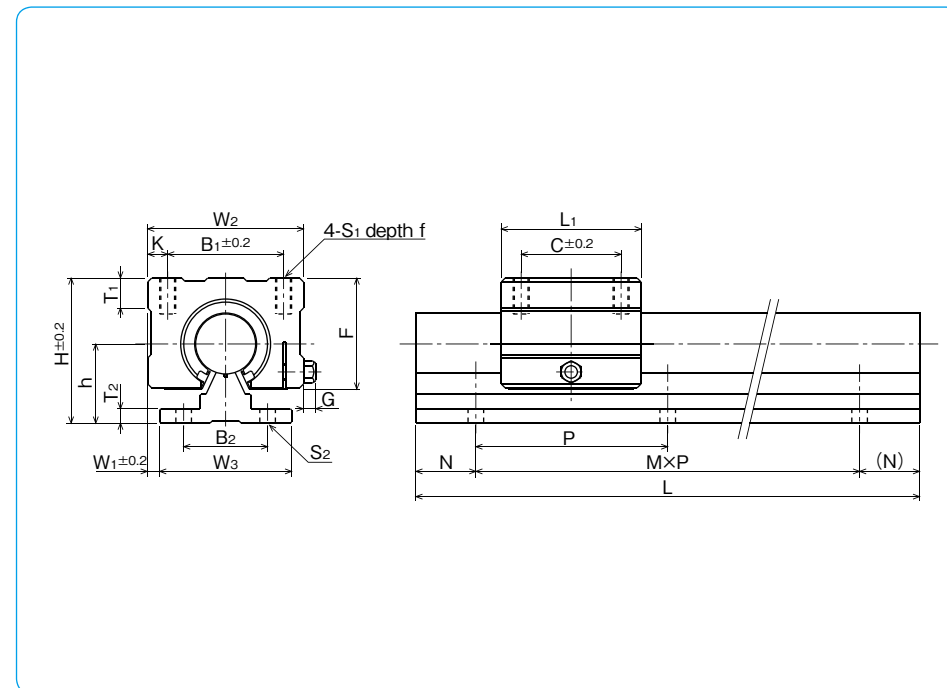


## part number structure



※Inside bush is a resin retainer type with seals.

part number		shaft diameter g6 mm	assembly dimensions											major dimensions									
standard	anti-corrosion		H	h	W <sub>1</sub>	W <sub>2</sub>	L <sub>1</sub>	B <sub>1</sub>	C	K	T <sub>1</sub>	f	S <sub>1</sub>	G	F	W <sub>3</sub>	B <sub>2</sub>	T <sub>2</sub>	P	S <sub>2</sub>			
<b>CD16</b>	<b>CDS16</b>	16	45	25	5	50	45	36	30	7	9	12	M5	6	33	40	30	5	150	5.5			
<b>CD20</b>	<b>CDS20</b>	20	50	27	4.5	54	50	40	35	7	11	12	M6	7	39	45	30	5	150	5.5			
<b>CD25</b>	<b>CDS25</b>	25	60	33	10.5	76	65	54	40	11	12	12	M6	7	47	55	35	6	200	6.5			
<b>CD30</b>	<b>CDS30</b>	30	70	37	9	78	70	58	50	10	15	18	M8	7	56	60	40	7	200	6.5			



support rail dimensions L (M,N) mm				basic load rating dynamic C N	static Co N	block g	rail kg/m	size
300 (1,75)	500 (3,25)	800 (5,25)	1,000 (6,50)	774	1,180	170	2.58	<b>16</b>
1,500 (9,75)	1,800 (11,75)	2,000 (13,25)		882	1,370	240	3.49	<b>20</b>
300 (1,50)	500 (2,50)	800 (3,100)	1,000 (4,100)	980	1,570	580	5.31	<b>25</b>
1,500 (7,50)	1,800 (8,100)	2,000 (9,100)		1,570	2,740	720	7.39	<b>30</b>

1N≒0.102kgf

# SWA TYPE (Inch Standard)

– Block Type –



## part number structure

example **SWA 20 G R UU**

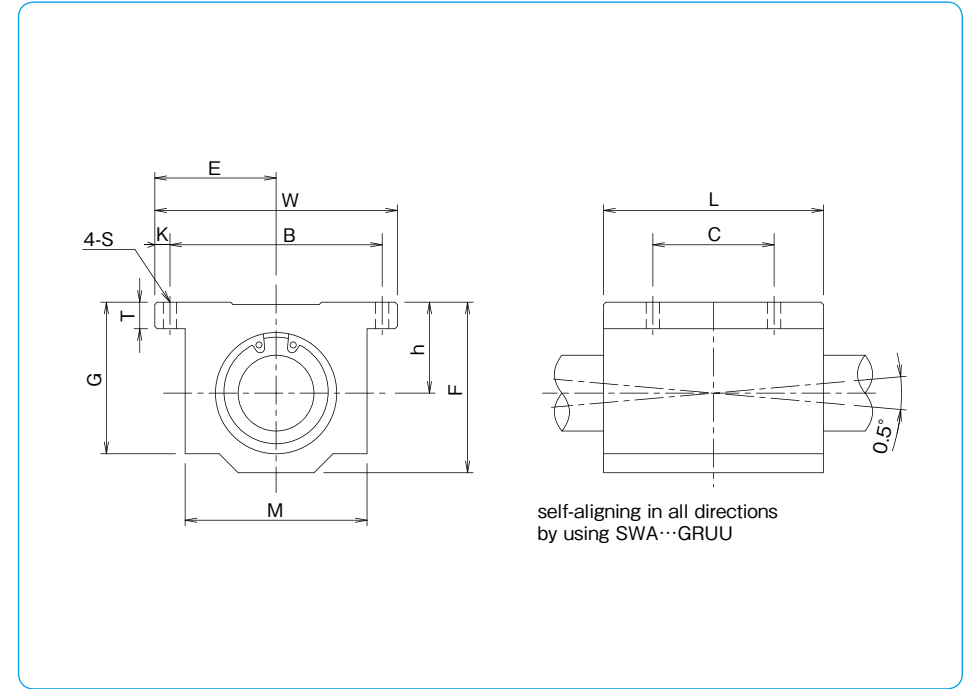
specification  
**SWA**: standard  
**SWSA**: anti-corrosion

size

retainer material  
**blank**: standard/steel  
 anti-corrosion/stainless steel  
**G**: resin

seal  
**blank**: without seal  
**UU**: seals on both sides

self-aligning  
 (SWA-resin retainer only)



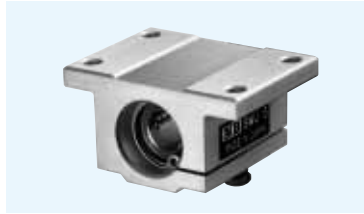
part number	inner contact diameter		major dimensions				
	tolerance		outer dimensions				
	inch/(mm)	inch/(μm)	h ±.001/(±0.02) inch/(mm)	E ±.001/(±0.02) inch/(mm)	W inch/(mm)	L inch/(mm)	F inch/(mm)
<b>SWA 4GUU</b>	.2500 (6.350)	0 -0.00040 (-9)	.4370 (11.100)	.8125 (20.638)	1.625 (41.28)	1.188 (30.16)	.813 (20.64)
<b>SWA 6GUU</b>	.3750 (9.525)		.5000 (12.700)	.8750 (22.225)	1.750 (44.45)	1.313 (33.34)	.938 (23.82)
<b>SWA 8GUU</b>	.5000 (12.700)		.6870 (17.450)	1.0000 (25.400)	2.000 (50.80)	1.688 (42.86)	1.250 (31.75)
<b>SWA 10GUU</b>	.6250 (15.875)	0 -0.00040 (-10)	.8750 (22.225)	1.2500 (31.750)	2.500 (63.50)	1.938 (49.21)	1.625 (41.28)
<b>SWA 12GUU</b>	.7500 (19.050)		.9370 (23.800)	1.3750 (34.925)	2.750 (69.85)	2.063 (52.39)	1.750 (44.45)
<b>SWA 16GUU</b>	1.0000 (25.400)		1.1870 (30.150)	1.6250 (41.275)	3.250 (82.55)	2.813 (71.44)	2.188 (55.56)
<b>SWA 20GUU</b>	1.2500 (31.750)	0 -0.00050 (-12)	1.5000 (38.100)	2.0000 (50.800)	4.000 (101.60)	3.625 (92.08)	2.813 (71.44)
<b>SWA 24GUU</b>	1.5000 (38.100)		1.7500 (44.450)	2.3750 (60.325)	4.750 (120.65)	4.000 (101.60)	3.250 (82.55)
<b>SWA 32GUU</b>	2.0000 (50.800)		2.1250 (53.975)	3.0000 (76.200)	6.000 (152.40)	5.000 (127.00)	4.063 (103.19)

T	G	M	mounting dimensions				dynamic C	static Co	mass
			B ±.01/(±0.2) inch/(mm)	C ±.01/(±0.2) inch/(mm)	K inch/(mm)	S inch/(mm)			
.188 (4.76)	.750 (19.05)	1.000 (25.40)	1.312 (33.33)	.750 (19.05)	.156 (3.96)	.156 (3.96)	206	265	45
.188 (4.76)	.875 (22.23)	1.125 (28.58)	1.437 (36.50)	.875 (22.23)	.156 (3.96)	.156 (3.96)	225	314	62
.250 (6.35)	1.125 (28.58)	1.375 (34.93)	1.688 (42.88)	1.000 (25.40)	.156 (3.96)	.156 (3.96)	510	784	130
.281 (7.14)	1.437 (36.50)	1.750 (44.45)	2.125 (53.98)	1.125 (28.58)	.188 (4.76)	.188 (4.76)	774	1,180	240
.313 (7.94)	1.563 (39.69)	1.875 (47.63)	2.375 (60.33)	1.250 (31.75)	.188 (4.76)	.188 (4.76)	862	1,370	290
.375 (9.53)	1.938 (49.21)	2.375 (60.33)	2.875 (73.03)	1.750 (44.45)	.188 (4.76)	.219 (5.56)	980	1,570	615
.438 (11.11)	2.500 (63.50)	3.000 (76.20)	3.500 (88.90)	2.000 (50.80)	.250 (6.35)	.219 (5.56)	1,570	2,740	1,300
.500 (12.70)	2.875 (73.03)	3.500 (88.90)	4.125 (104.78)	2.500 (63.50)	.313 (7.94)	.281 (7.14)	2,160	4,020	1,900
.625 (15.88)	3.625 (92.08)	4.500 (114.30)	5.250 (133.35)	3.250 (82.55)	.375 (9.53)	.413 (10.50)	3,820	7,940	3,600

SI UNIT 1N≒0.225lbf  
 1kg≒2.205lbs

# SWJ TYPE (Inch Standard)

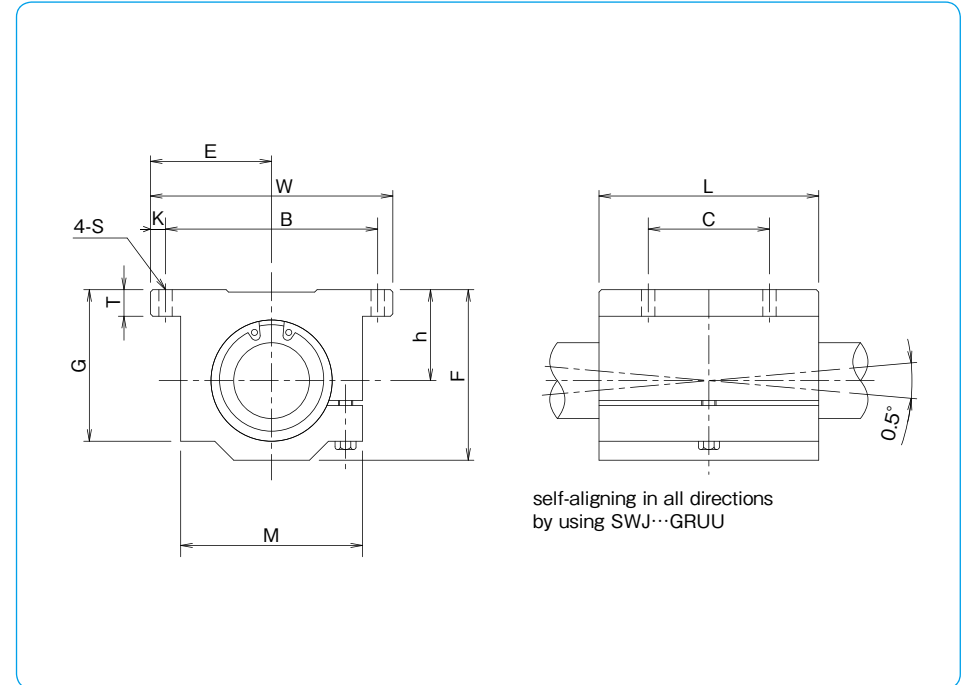
– Clearance Adjustable Block Type –



## part number structure

example **SWJ 20 G R UU**

- specification
  - SWJ: standard
  - SWSJ: anti-corrosion
- size
- retainer material
  - blank: standard/steel
  - anti-corrosion/stainless steel
  - G: resin
- seal
  - blank: without seal
  - UU: seals on both sides
- self-aligning (SWA-resin retainer only)



part number	inner contact diameter inch/(mm)	major dimensions				
		h ±.001/(±0.02) inch/(mm)	E ±.001/(±0.02) inch/(mm)	W inch/(mm)	L inch/(mm)	F inch/(mm)
SWJ 4GUU	.2500 (6.350)	.4370 (11.100)	.8125 (20.638)	1.625 (41.28)	1.188 (30.16)	.813 (20.64)
SWJ 6GUU	.3750 (9.525)	.5000 (12.700)	.8750 (22.225)	1.750 (44.45)	1.313 (33.34)	.938 (23.82)
SWJ 8GUU	.5000 (12.700)	.6870 (17.450)	1.0000 (25.400)	2.000 (50.80)	1.688 (42.86)	1.250 (31.75)
SWJ 10GUU	.6250 (15.875)	.8750 (22.225)	1.2500 (31.750)	2.500 (63.50)	1.938 (49.21)	1.625 (41.28)
SWJ 12GUU	.7500 (19.050)	.9370 (23.800)	1.3750 (34.925)	2.750 (69.85)	2.063 (52.39)	1.750 (44.45)
SWJ 16GUU	1.0000 (25.400)	1.1870 (30.150)	1.6250 (41.275)	3.250 (82.55)	2.813 (71.44)	2.188 (55.56)
SWJ 20GUU	1.2500 (31.750)	1.5000 (38.100)	2.0000 (50.800)	4.000 (101.60)	3.625 (92.08)	2.813 (71.44)
SWJ 24GUU	1.5000 (38.100)	1.7500 (44.450)	2.3750 (60.325)	4.750 (120.65)	4.000 (101.60)	3.250 (82.55)
SWJ 32GUU	2.0000 (50.800)	2.1250 (53.975)	3.0000 (76.200)	6.000 (152.40)	5.000 (127.00)	4.063 (103.19)

T	G	M	mounting dimensions				dynamic C	static Co	mass
			B ±.01/(±0.2) inch/(mm)	C ±.01/(±0.2) inch/(mm)	K inch/(mm)	S inch/(mm)			
.188 (4.76)	.750 (19.05)	1.000 (25.40)	1.312 (33.33)	.750 (19.05)	.156 (3.96)	.156 (3.96)	206	265	45
.188 (4.76)	.875 (22.23)	1.125 (28.58)	1.437 (36.50)	.875 (22.23)	.156 (3.96)	.156 (3.96)	225	315	62
.250 (6.35)	1.125 (28.58)	1.375 (34.93)	1.688 (42.88)	1.000 (25.40)	.156 (3.96)	.156 (3.96)	510	784	130
.281 (7.14)	1.437 (36.50)	1.750 (44.45)	2.125 (53.98)	1.125 (28.58)	.188 (4.76)	.188 (4.76)	774	1,180	240
.313 (7.94)	1.563 (39.69)	1.875 (47.63)	2.375 (60.33)	1.250 (31.75)	.188 (4.76)	.188 (4.76)	862	1,370	290
.375 (9.53)	1.938 (49.21)	2.375 (60.33)	2.875 (73.03)	1.750 (44.45)	.188 (4.76)	.219 (5.56)	980	1,570	615
.438 (11.11)	2.500 (63.50)	3.000 (76.20)	3.500 (88.90)	2.000 (50.80)	.250 (6.35)	.219 (5.56)	1,570	2,740	1,300
.500 (12.70)	2.875 (73.03)	3.500 (88.90)	4.125 (104.78)	2.500 (50.80)	.313 (7.94)	.281 (7.14)	2,160	4,020	1,900
.625 (15.88)	3.625 (92.08)	4.500 (114.30)	5.250 (133.35)	3.250 (82.55)	.375 (9.53)	.413 (10.50)	3,820	7,940	3,600

SI UNIT 1N≒0.225lbf  
1kg≒2.205lbs

# SWD TYPE (Inch Standard)

– Open Block Type –



## part number structure

example **SWD 20 G R UU**

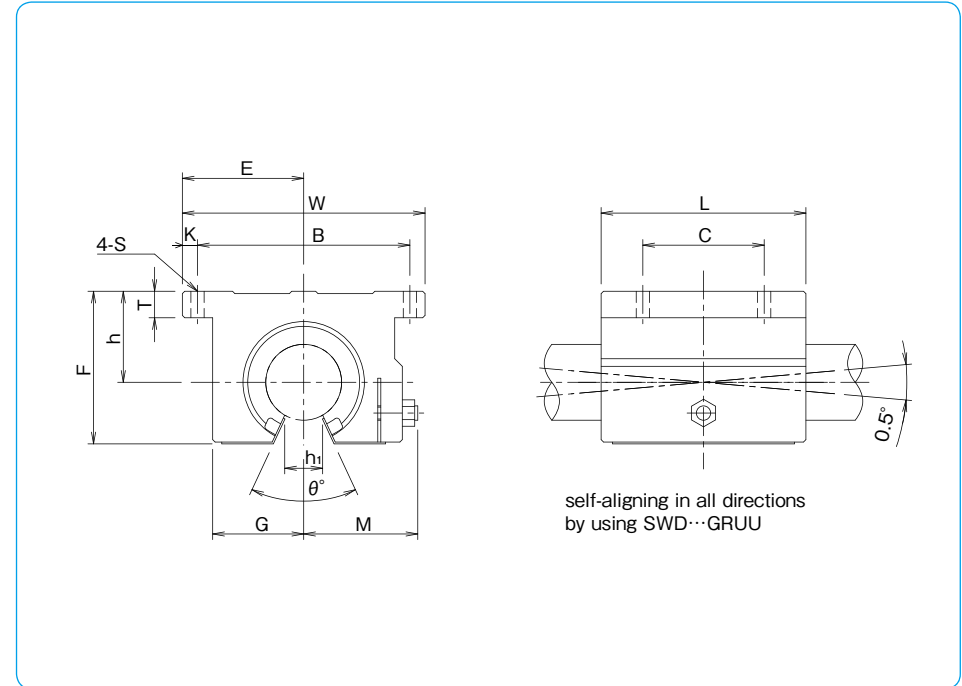
specification  
**SWD**: standard  
**SWSD**: anti-corrosion

size

retainer material  
**blank**: standard/steel  
 anti-corrosion/stainless steel  
**G**: resin

seal  
**blank**: without seal  
**UU**: seals on both sides

self-aligning  
 (SWD-resin retainer only)



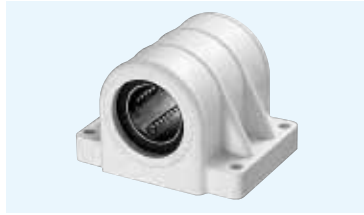
part number	major dimensions							
	inner contact diameter inch/(mm)	h ±.001/(±0.02) inch/(mm)	E ±.001/(±0.02) inch/(mm)	W inch/(mm)	L inch/(mm)	F inch/(mm)	outer dimensions	
							T inch/(mm)	G inch/(mm)
<b>SWD 8GUU</b>	.5000 (12.700)	.6870 (17.450)	1.0000 (25.400)	2.000 (50.80)	1.500 (38.10)	1.100 (27.94)	.250 (6.35)	.688 (17.5)
<b>SWD 10GUU</b>	.6250 (15.875)	.8750 (22.225)	1.2500 (31.750)	2.500 (63.50)	1.750 (44.45)	1.375 (34.93)	.281 (7.14)	.875 (22.23)
<b>SWD 12GUU</b>	.7500 (19.050)	.9370 (23.800)	1.3750 (34.950)	2.750 (69.85)	1.875 (47.63)	1.535 (39.00)	.315 (8.00)	.937 (23.80)
<b>SWD 16GUU</b>	1.0000 (25.400)	1.1870 (30.150)	1.6250 (41.300)	3.250 (82.55)	2.625 (66.68)	1.975 (50.17)	.375 (9.53)	1.188 (30.18)
<b>SWD 20GUU</b>	1.2500 (31.750)	1.5000 (38.100)	2.0000 (50.800)	4.000 (101.60)	3.375 (85.73)	2.485 (63.12)	.437 (11.10)	1.500 (38.10)
<b>SWD 24GUU</b>	1.5000 (38.100)	1.7500 (44.450)	2.3750 (60.325)	4.750 (120.65)	3.750 (95.25)	2.910 (73.90)	.500 (12.70)	1.750 (44.45)
<b>SWD 32GUU</b>	2.0000 (50.800)	2.1250 (53.975)	3.0000 (76.200)	6.000 (152.4)	4.750 (120.65)	3.660 (92.90)	.625 (15.88)	2.250 (57.15)

M	h <sub>1</sub>	θ	mounting dimensions				dynamic C	static C <sub>0</sub>	mass
			B ±.01/(±0.2) inch/(mm)	C ±.01/(±0.2) inch/(mm)	K inch/(mm)	S inch/(mm)			
inch/(mm)	inch/(mm)		inch/(mm)	inch/(mm)	inch/(mm)	inch/(mm)	N	N	g
.98 (24.89)	.3425 (8.70)	80°	1.688 (42.88)	1.000 (25.40)	.156 (3.96)	.156 (3.96)	510	784	98
1.15 (29.21)	.375 (9.53)	80°	2.125 (53.98)	1.125 (28.58)	.188 (4.76)	.188 (4.76)	774	1,180	185
1.23 (31.24)	.4375 (11.11)	60°	2.375 (60.33)	1.250 (31.75)	.188 (4.76)	.188 (4.76)	862	1,370	235
1.48 (37.59)	.5625 (14.29)	50°	2.875 (73.03)	1.750 (44.45)	.188 (4.76)	.219 (5.56)	980	1,570	530
1.88 (47.75)	.625 (15.88)	50°	3.500 (88.90)	2.000 (50.80)	.250 (6.35)	.219 (5.56)	1,570	2,740	1,080
2.12 (53.85)	.750 (19.05)	50°	4.125 (104.78)	2.500 (63.50)	.313 (7.94)	.281 (7.14)	2,160	4,020	1,620
2.70 (68.58)	1.00 (25.40)	50°	5.250 (133.35)	3.250 (82.55)	.375 (9.53)	.413 (10.50)	3,820	7,940	3,100

SI UNIT 1N≅0.225lbf  
 1kg≅2.205lbs

# RBW TYPE

(Inch Standard / Anti-Corrosion Type)  
 - Resin Block Type -

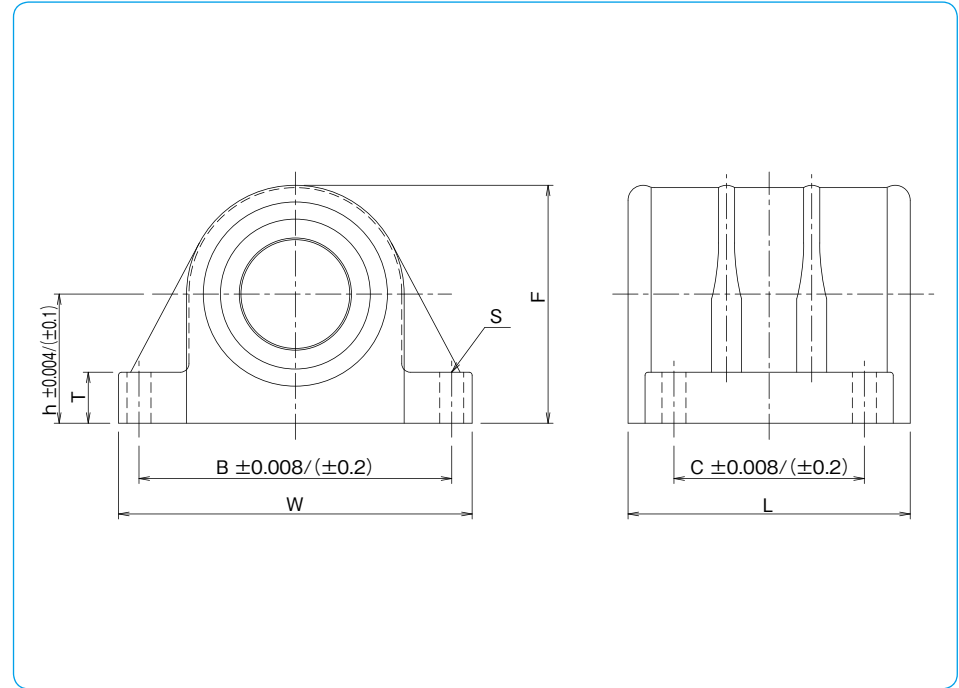


## part number structure

example **RBW 16**

RBW type

size



part number	inner contact diameter		major dimensions			
	inch/(mm)	tolerance inch/( $\mu$ m)	h inch/(mm)	outer dimensions		
				W inch/(mm)	L inch/(mm)	F inch/(mm)
<b>RBW 8</b>	.5000 (12.700)	0	.6870 (17.450)	2.000 (50.80)	1.5937 (40.481)	1.2500 (31.750)
<b>RBW 10</b>	.6250 (15.875)	-0.00040 (-9)	.8750 (22.225)	2.500 (63.50)	1.8437 (46.831)	1.6250 (41.275)
<b>RBW 12</b>	.7500 (19.050)	0	.9370 (23.800)	2.750 (69.85)	1.9687 (50.006)	1.7500 (44.450)
<b>RBW 16</b>	1.0000 (25.400)	-0.00040 (-10)	1.1870 (30.150)	3.250 (82.55)	2.5937 (65.881)	2.1870 (55.550)

※RBW type has side-seals as standard.

T inch/(mm)	mounting dimensions			basic load rating		mass g
	B inch/(mm)	C inch/(mm)	S inch/(mm)	dynamic C N	static Co N	
.3437 (8.731)	1.688 (42.875)	1.000 (25.400)	.157 (4.0)	510	784	51
.3750 (9.525)	2.125 (53.975)	1.125 (28.575)	.189 (4.8)	774	1180	99
.4063 (10.319)	2.375 (60.325)	1.250 (31.750)	.189 (4.8)	862	1370	129
.4687 (11.906)	2.875 (73.025)	1.750 (44.450)	.220 (5.6)	980	1570	242

SI UNIT 1N $\approx$ 0.225lbf  
 1kg $\approx$ 2.205lbs