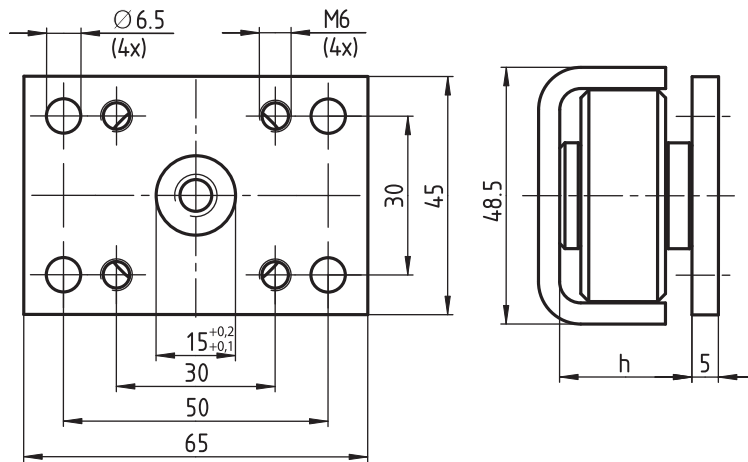


WINKEL-Rollen | WINKEL Bearings



AP A

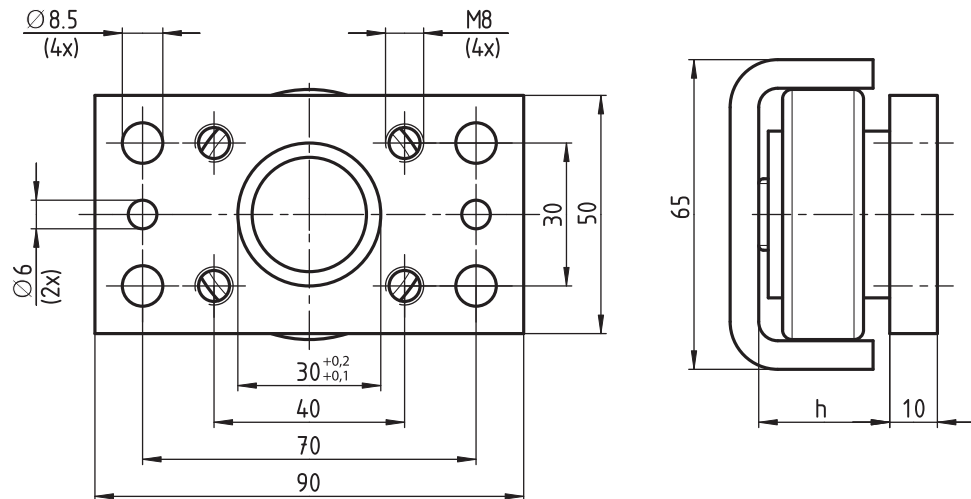
Artikel-Nr. 212.042.000
Article no.



Typ Type	WINKEL-Rolle mit AP WINKEL Bearing with AP	Artikel-Nr. Article no.	Profil Profile	h mm h mm	Gewicht AP Weight AP	Distanzsteckbleche Washers	
AP A	4.052 P + AP A	200.132.000	Standard A	25,0	0,10 kg	DS-A-0,5 238.026.000	DS-A-1,0 238.026.001

AP S

Artikel-Nr. 212.014.000
Article no.

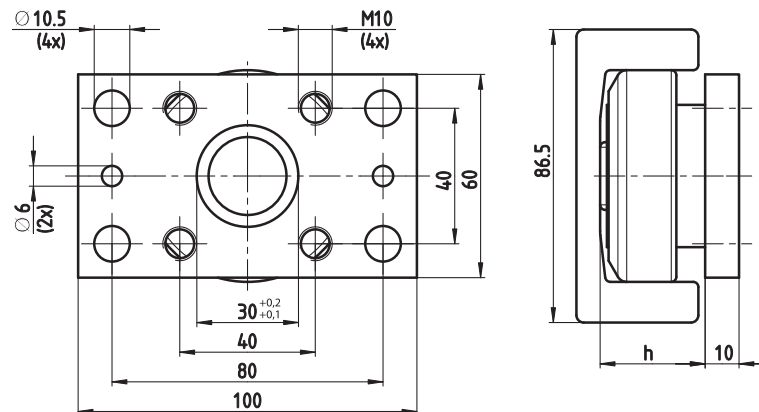


Typ Type	WINKEL-Rolle mit AP WINKEL Bearing with AP	Artikel-Nr. Article no.	Profil Profile	h mm h mm	Gewicht AP Weight AP	Distanzsteckbleche Washer	
AP S	4.053 + AP S	200.071.000	Standard S	27,0	0,25 kg	DS-S-0,5 238.025.000	DS-S-1,0 238.025.001
	4.053 HT + AP S	200.024.012	Standard S	27,0			

WINKEL-Rollen | WINKEL Bearings

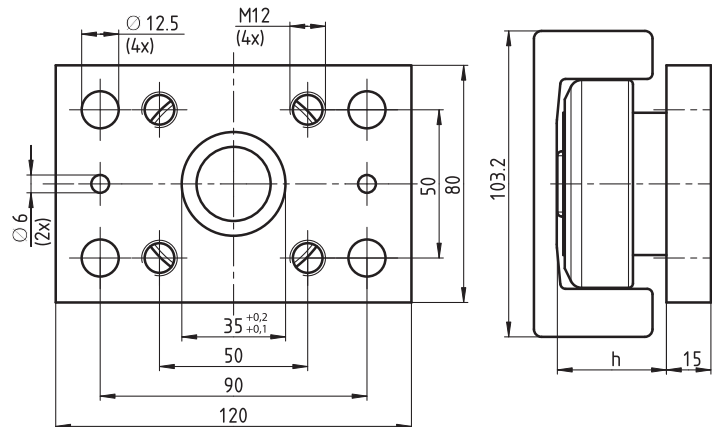


AP 0

 Artikel-Nr. 212.003.000
 Article no.


Typ Type	WINKEL-Rolle mit AP WINKEL Bearing with AP	Artikel-Nr. Article no.	Profil Profile	h mm h mm	Gewicht AP Weight AP	Distanzsteckbleche Washers
AP 0	2.054 + AP 0	205.061.003	Standard 0 NbV	26,5	0,35 kg	DS-0-0,5 DS-0-1,0 238.020.000 238.020.001
	4.054 + AP 0	200.051.000	Standard 0 NbV	30,5		
	4.054 HT + AP 0	200.001.021	Standard 0 NbV	30,5		
	4.454 + AP 0	201.031.001	Standard 0 NbV	30,5 - 32,0		
	4.072 + AP 0	201.011.000	Standard 0 NbV	33,0		
	4.072 P + AP 0	200.149.000	Standard 0 NbV	33,0		
	PR 2.054 + AP 0	205.071.002	PR 0 NbV	26,5		
	PR 4.054 + AP 0	200.100.002	PR 0 NbV	30,5		
	PR 4.454 + AP 0	200.114.001	PR 0 NbV	30,5 - 32,0		
	PR 4.072 + AP 0	200.107.001	PR 0 NbV	33,0		
PR 4.072 P + AP 0	200.011.008	PR 0 NbV	33,0			

AP 1

 Artikel-Nr. 212.004.000
 Article no.


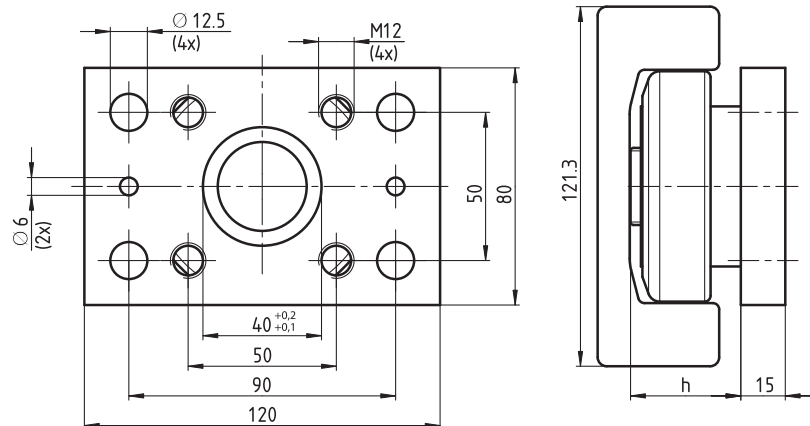
Typ Type	WINKEL-Rolle mit AP WINKEL Bearing with AP	Artikel-Nr. Article no.	Profil Profile	h mm h mm	Gewicht AP Weight AP	Distanzsteckbleche Washers
AP 1	2.055 + AP 1	205.109.000	Standard 1 NbV	34,0	0,90 kg	DS-1-0,5 DS-1-1,0 238.021.000 238.021.001
	4.055 + AP 1	200.052.000	Standard 1 NbV	36,0		
	4.055 HT + AP 1	200.002.021	Standard 1 NbV	36,0		
	4.455 + AP 1	201.032.001	Standard 1 NbV	36,0 - 37,5		
	4.073 + AP 1	200.077.000	Standard 1 NbV	40,0		
	4.073 P + AP 1	200.012.005	Standard 1 NbV	40,0		
	PR 2.055 + AP 1	205.072.001	PR 1 NbV	34,0		
	PR 4.055 + AP 1	200.101.002	PR 1 NbV	36,0		
	PR 4.455 + AP 1	200.115.001	PR 1 NbV	36,0 - 37,5		
	PR 4.073 + AP 1	200.108.001	PR 1 NbV	40,0		
PR 4.073 P + AP 1	200.014.002	PR 1 NbV	40,0			

WINKEL-Rollen | WINKEL Bearings



AP 2

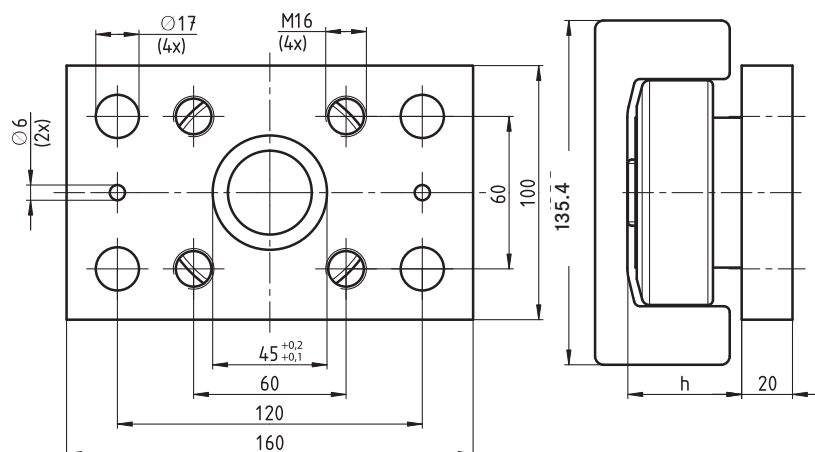
Artikel-Nr. 212.005.000
Article no.



Typ Type	WINKEL-Rolle mit AP WINKEL Bearing with AP	Artikel-Nr. Article no.	Profil Profile	h mm h mm	Gewicht AP Weight AP	Distanzsteckbleche Washers
AP 2	2.056 + AP 2	205.107.000	Standard 2 NbV	34,0	0,85 kg	DS-2-0,5 DS-2-1,0 238.021.000 238.021.001
	4.056 + AP 2	200.053.000	Standard 2 NbV	36,5		
	4.056 HT + AP 2	200.003.021	Standard 2 NbV	36,5		
	4.456 + AP 2	201.033.002	Standard 2 NbV	37,0 - 38,5		
	4.074 + AP 2	200.127.000	Standard 2 NbV	39,5		
	4.074 P + AP 2	200.013.008	Standard 2 NbV	39,5		
	PR 2.056 + AP 2	205.073.002	PR 2 NbV	34,0		
	PR 4.056 + AP 2	200.066.000	PR 2 NbV	36,5		
	PR 4.456 + AP 2	200.116.001	PR 2 NbV	37,0 - 38,5		
	PR 4.074 + AP 2	200.109.002	PR 2 NbV	39,5		
PR 4.074 P + AP 2	200.148.000	PR 2 NbV	39,5			

AP 3.1

Artikel-Nr. 212.006.001
Article no.

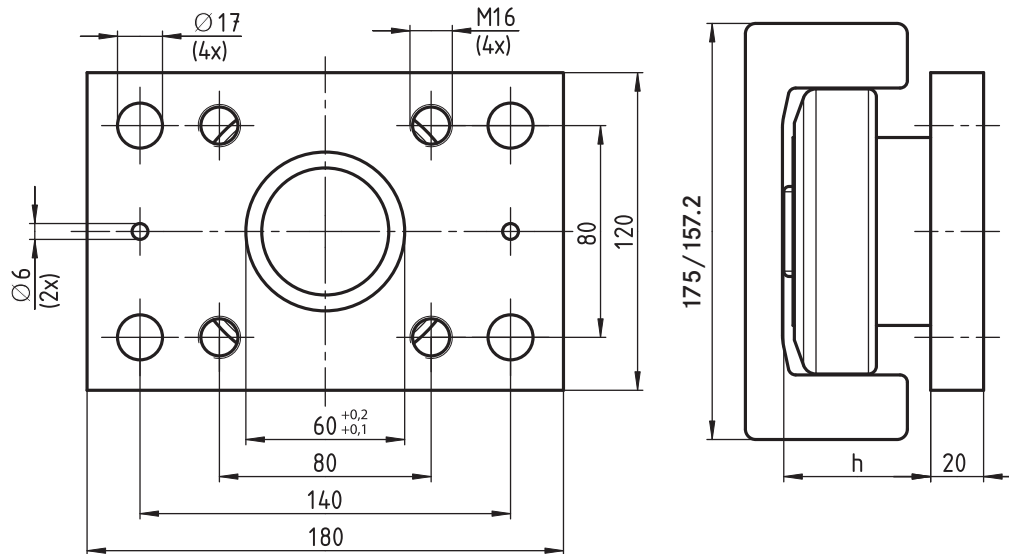


Typ Type	WINKEL-Rolle mit AP WINKEL Bearing with AP	Artikel-Nr. Article no.	Profil Profile	h mm h mm	Gewicht AP Weight AP	Distanzsteckbleche Washers
AP 3.1	2.058 + AP 3.1	205.064.004	Standard 3 NbV	41,0	2,35 kg	DS-3.1-0,5 DS-3.1-1,0 238.105.000 238.105.001
	4.058 + AP 3.1	200.054.001	Standard 3 NbV	44,0		
	4.058 HT + AP 3.1	200.005.017	Standard 3 NbV	44,0		
	4.458 + AP 3.1	201.035.002	Standard 3 NbV	44,0 - 45,5		
	4.076 + AP 3.1	201.014.000	Standard 3 NbV	48,0		
	4.076 P + AP 3.1	200.015.009	Standard 3 NbV	48,0		
	PR 2.058 + AP 3.1	205.075.001	PR 3 NbV	41,0		
	PR 4.058 + AP 3.1	200.140.001	PR 3 NbV	44,0		
	PR 4.458 + AP 3.1	200.117.002	PR 3 NbV	44,0 - 45,5		
	PR 4.076 + AP 3.1	200.110.001	PR 3 NbV	48,0		
PR 4.076 P + AP 3.1	200.015.012	PR 3 NbV	48,0			

WINKEL-Rollen | WINKEL Bearings



AP 4

 Artikel-Nr. 212.007.001
 Article no.


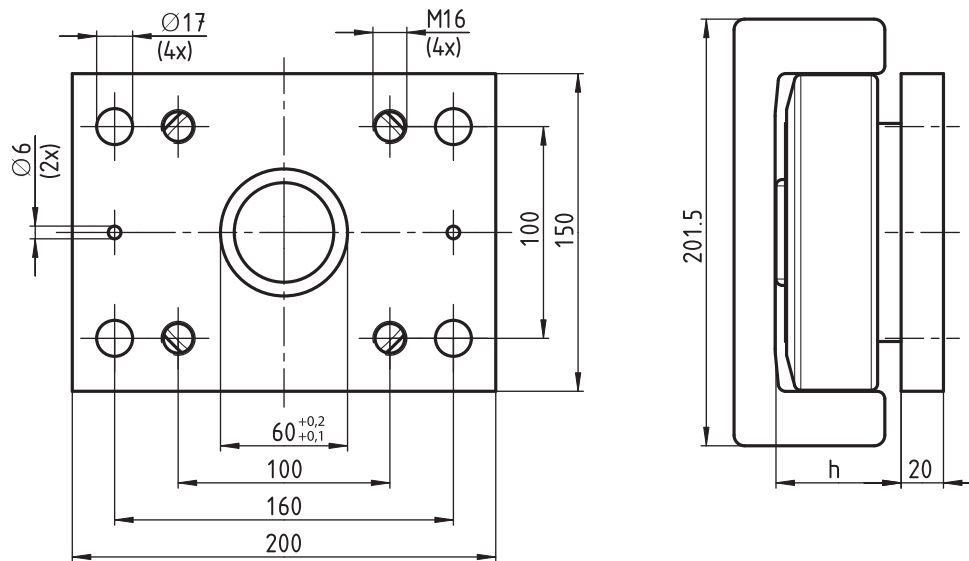
Typ Type	WINKEL-Rolle mit AP WINKEL Bearing with AP	Artikel-Nr. Article no.	Profil Profile	h mm h mm	Gewicht AP Weight AP	Distanzsteckbleche Washers
AP 4	2.061 + AP 4	205.108.000	Standard 4 NbV	51,5	2,65 kg	DS-4-0,5 DS-4-1,0 238.023.000 238.023.001
	4.061 + AP 4	200.055.000	Standard 4 NbV	55,0		
	4.061 HT + AP 4	200.008.009	Standard 4 NbV	55,0		
	4.461 + AP 4	201.038.001	Standard 4 NbV	55,0 - 57,0		
	4.0784 + AP 4	200.016.001	Standard 4 NbV	55,0		
	4.0784 P + AP 4	200.016.004	Standard 4 NbV	55,0		
	PR 2.061 + AP 4	205.075.003	PR 4 NbV	51,5		
	PR 4.061 + AP 4	200.104.001	PR 4 NbV	55,0		
	PR 4.461 + AP 4	200.118.001	PR 4 NbV	55,0 - 57,0		
	PR 4.0784 + AP 4	200.111.001	PR 4 NbV	55,0		
	PR 4.0784 P + AP 4	200.067.003	PR 4 NbV	55,0		
	2.062 + AP 4	205.066.004	Standard 5 NbV	51,5		
	4.062 + AP 4	200.076.000	Standard 5 NbV	56,0		
	4.062 HT + AP 4	200.009.024	Standard 5 NbV	56,0		
	4.462 + AP 4	201.039.001	Standard 5 NbV	56,0 - 60,0		
	4.079 + AP 4	201.015.000	Standard 5 NbV	59,5		
	4.079 P + AP 4	200.018.004	Standard 5 NbV	59,5		
	PR 2.062 + AP 4	205.076.001	PR 5 NbV	51,5		
	PR 4.062 + AP 4	200.105.001	PR 5 NbV	56,0		
	PR 4.462 + AP 4	200.119.001	PR 5 NbV	56,0 - 60,0		
PR 4.079 + AP 4	200.112.001	PR 5 NbV	59,5			
PR 4.079 P + AP 4	200.154.003	PR 5 NbV	59,5			

WINKEL-Rollen | WINKEL Bearings



AP 6

Artikel-Nr. 212.008.000
Article no.



Typ Type	WINKEL-Rolle mit AP WINKEL Bearing with AP	Artikel-Nr. Article no.	Profil Profile	h mm h mm	Gewicht AP Weight AP	Distanzsteckbleche Washers
AP 6	2.063 + AP 6	205.067.002	Standard 6 NbV	54,0	4,0 kg	DS-6-0,5 DS-6-1,0 238.024.000 238.024.001
	4.063 + AP 6	200.056.000	Standard 6 NbV	58,5		
	4.063 HT + AP 6	200.010.036	Standard 6 NbV	58,5		
	4.463 + AP 6	201.040.001	Standard 6 NbV	58,5 - 62,5		
	4.080 + AP 6	200.019.003	Standard 6 NbV	69,0		
	4.080 P + AP 6	201.016.000	Standard 6 NbV	62,0		
	PR 2.063 + AP 6	205.077.001	PR 6 NbV	54,0		
	PR 4.063 + AP 6	200.106.002	PR 6 NbV	58,5		
	PR 4.463 + AP 6	200.120.001	PR 6 NbV	58,5 - 62,5		
	PR 4.080 + AP 6	200.113.001	PR 6 NbV	69,0		
PR 4.080 P + AP 6	200.155.001	PR 6 NbV	62,0			